

---

## STELLAR

### 2X4 RECESSED LED HOSPITAL LIGHT



Designed to provide you with optimal light that meets your general lighting requirements, the STELLAR fixture comes with up to three lighting functions. Ambient function is standard, Exam and Reading functions are optional and provide increased lumens to the bed for general examinations. With patient safety in mind, all of the LEDs are fully enclosed.

The lenses and reflectors used offer clean, glare-free light to ensure maximum light output for caregivers to perform their tasks while creating a comfortable lighting environment for the patient and caregiver.

- Anti-microbial finish
- Glare-free reflectors
- Ambient light
- Optional reading lights
- Optional exam lights
- Long-lasting LED

## recessed LED hospital light STELLAR

### Construction Material:

**Housing:** 20 Gauge CRS. Once piece, seam-welded construction.

**Finish:** White urethane powder coat finish – 5 step treatment; antimicrobial finish.

**Lens:** High impact, LED specific acrylic.

**Drivers:** High power factor constant current, 0.97 pf @ 120 Volts (Class 2, Class II).

**Ingress Barrier:** 3 mm clear acrylic barrier covers the entire fixture using a piano hinge. Door frame secured to the housing and a closed cell neoprene/EPDM/SBR gasket seals the door frame to the housing.

### Specifications:

**Voltage:** 120 - 277 Volts

**Wattage:** Total: 145 W, Exam: 100 W, Ambient: 32.5 W, Reading: 12.6 W

**Light Output:** Total: 15,052 lm, Exam: 10,296 lm, Ambient: 4,049 lm, Reading: 741 lm

**Dimming:** 0 - 10 Volts and DALI options available

**Color Quality:** 80 CRI, 90 CRI

**Color Temperature:** 3000 K, 3500 K, 4000 K

**Life of LEDs:** L70 50,000 hours

**Warranty:** Limited five (5) year warranty.



### Standard Lumens (lms):

Ambient = 4,140 lms

Exam = 8,280 lms

### High Lumens (lms):

Ambient = 5,820 lms

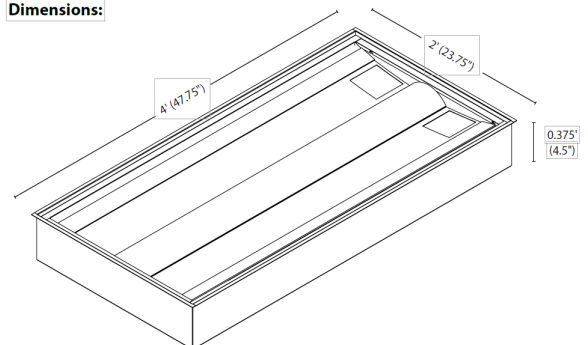
Exam = 11,640 lms

### Reading Light:

Chip on Board (COB)

2w LED Lamps x 2 (standard)

### Dimensions:



Waldmann Lighting Company

9 W. Century Drive

Wheeling, Illinois 60090

www.waldmannlighting.com

241-07-12

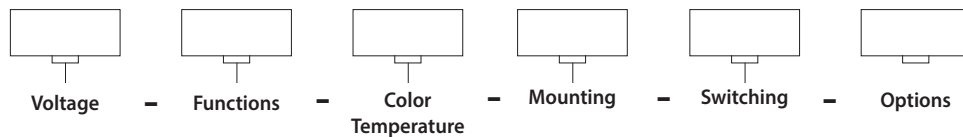
Telephone (847) 520 1060

Fax (847) 520 1730

waldmann@waldmannlighting.com

## Ordering Guide:

### STE-4



For Example: STE-4-120-AL11-LED30-G-LVC-IB

STELLAR 2 x 4, 120 V, Reading, Ambient 4,140 lms, Exam 8,280 lms , 3000 K, Grid Mount, Low Voltage Controller, Ingress Barrier

## Ordering Information:

Series	Voltage	Functions	Color Temperature	Mounting	Switching	Options
STE-4	120	A1E1 Ambient/Exam (standard lms)	LED30 3000 K	F Flange Mount	000 No switch (provided by others)	IB Ingress barrier
	277	A1E2 Ambient/Exam (Ambient standard lms/Exam high lms)	LED35 3500 K	G Grid Mount	LVC Low voltage controller	BP Battery pack
<i>Consult factory for 347 V requirement</i>		A1R1 Ambient Reading (standard lms)	LED40 4000 K	S Surface Mount	LVD Low voltage controller dimming	BB Ingress barrier & battery pack
		A2E1 Ambient/Exam (Ambient high lms/Exam standard lms)			LMS LightMaster controller	BV Battery pack & vandal resistant
		A2E2 Ambient/Exam (high lms)			LMD LightMaster with dimming	VR Vandal resistant
		A2R1 Ambient Reading (high lms)				00 No options
		E1R1 Exam Reading (standard lms)				
		E2R1 Exam Reading (high lms)				
		AL11 Reading/Ambient/Exam (standard lms)				
		AL12 Reading/Ambient/Exam (Ambient standard lms/Exam high lms)				
		AL21 Reading/Ambient/Exam (Ambient high lms/Exam standard lms)				
		AL22 Reading/Ambient/Exam (Ambient high lms/Exam high lms)				
	R1 Reading Light					