
STELLAR

2X2 RECESSED LED HOSPITAL LIGHT



Designed to provide you with optimal light that meets your general lighting requirements, the STELLAR fixture comes with up to three lighting functions. Ambient function is standard, Exam and Reading functions are optional and provide increased lumens to the bed for general examinations. With patient safety in mind, all of the LEDs are fully enclosed. The lenses and reflectors used offer clean, glare-free light to ensure maximum light output for tasks while creating a comfortable lighting environment for the patient and caregiver.

STELLAR is available in a 2x2 and 2x4 configuration. STELLAR 2x2 offers all the functionality of the 2x4 version but in a smaller package. This is convenient where other elements in the ceiling can interfere with the light such as a patient lift or pendant system. Features include:

- Antimicrobial finish
- Glare-free reflectors
- Ambient Light
- Optional Reading Lights
- Optional Exam Lights
- Long lasting LEDs

recessed LED hospital light STELLAR

Construction Material:

Housing: 20 Gauge CRS. Once piece, seam-welded construction.

Finish: White urethane powder coat finish – 5 step treatment; antimicrobial finish.

Lens: High impact, LED specific acrylic.

Drivers: High power factor constant current, 0.97 pf @ 120 V (Class 2, Class II)

Light Source: Samsung LED mounted to aluminum core linear boards

Ingress Barrier: 3 mm clear acrylic barrier covers the entire fixture using a piano hinge. Door frame secured to the housing and a closed cell neoprene/EPDM/SBR gasket seals the door frame to the housing.

Specifications:

Voltage: 120 - 277 Volts

Wattage: Total: 90.5 W, Exam: 50.6 W, Ambient: 27.5 W, Reading: 12.6 W

Light Output: Total: 8,698 lm, Exam: 4,976 lm, Ambient: 3,001 lm, Reading: 741 lm

Dimming: 0 - 10 Volts and DALI options available

Color Quality: 80 CRI, 90 CRI

Color Temperature: 3000 K, 3500 K, 4000 K

Life of LEDs: L70 50,000 hours

Warranty: Limited five (5) year warranty



Standard Lumens (lms):

Ambient = 3,050 lms

Exam = 4,140 lms

High Lumens (lms):

Ambient = 4,140 lms

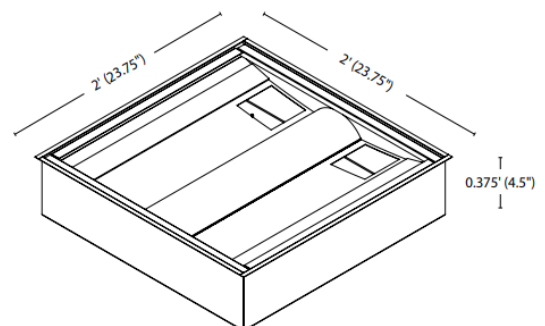
Exam = 5,820 lms

Reading Light:

Chip on Board (COB)

2w LED Lamps x 2 (standard)

Dimensions:



Waldmann Lighting Company

9 W. Century Drive

Wheeling, Illinois 60090

www.waldmannlighting.com

241-07-12

Telephone (847) 520 1060

Fax (847) 520 1730

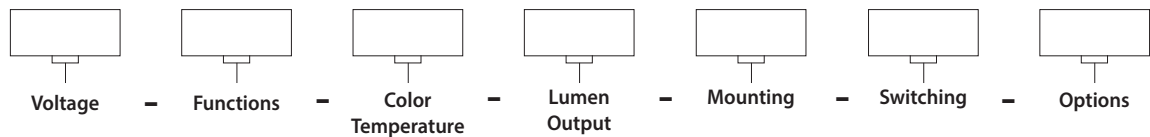
waldmann@waldmannlighting.com

Waldmann **W**

ENGINEER OF LIGHT.

Ordering Guide:

STE-2



For Example: STE-2-120-A2E2-LED30-A1-G-LVC-IB

STELLAR 2x2, 120 V, Reading, Ambient 4,140 lms, Exam 5,820 lms, 3000 K, 3,050 Lumens, Grid Mount, Low Voltage Controller, Ingress Barrier

Ordering Information:

Series	Voltage	Functions	Color Temperature	Lumen Output	Mounting	Switching	Options
STE-2	120	A1E1 Ambient/Exam (standard lms)	LED30 3000 K	A1 3000 lms	F Flange Mount	NO No switch (provided by others)	00 No options
	277	A1E2 Ambient/Exam (Ambient standard lms/ Exam high lms)	LED35 3500 K	E1 4100 lms	G Grid Mount	LVC Low voltage controller	IB Ingress barrier
	Consult factory for 347 V requirement	A1R1 Ambient Reading (standard lms)	LED40 4000 K	E2 5800 lms	S Surface Mount	LMS Low voltage controller dimming	BP Battery pack
		A2E1 Ambient/Exam (Ambient high lms/ Exam standard lms)	Consult factory for other options	R1 Chip on Board (COB) 2w LED lamps x 2 (standard)		LMD Navigator controller	BB Ingress barrier & battery pack
		A2E2 Ambient/Exam (high lms)					BV Battery pack & vandal resistant
		A2R1 Ambient Reading (high lms)					VR Vandal resistant
		E1R1 Exam Reading (standard lms)					
		E2R1 Exam Reading (high lms)					
		AL11 Reading/Ambient/Exam (standard lms)					
		AL12 Reading/Ambient/Exam (Ambient high lms/ Exam standard lms)					
		AL21 Reading/Ambient/Exam (Ambient high lms/ Exam high lms)					
		AL22 Reading/Ambient/Exam (Ambient high lms/ Exam high lms)					
		R1 Reading light					

Waldmann Lighting Company

9 W. Century Drive
Wheeling, Illinois 60090
www.waldmannlighting.com

Telephone (847) 520 1060
Fax (847) 520 1730
waldmann@waldmannlighting.com