

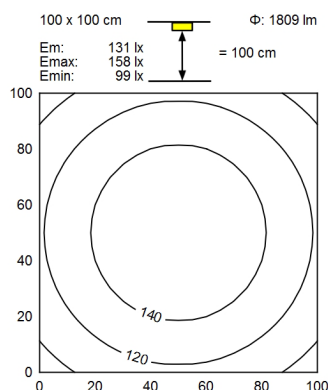


light source
 connected load
 Power consumption
 luminous flux
 luminous efficacy
 light distribution
 color temperature
 color rendering index (CRI)
 System of protection
 class of protection
 technology
 operation
 luminaire body
 weight (net)
 mains supply
 Fastening
 fastening length
 dimension
 light output
 outside diameter
 side part
 special features
 max ambient temperature

LED
 110 - 277V; 50/60Hz
 approx. 25 W
 approx. 1800 lm
 approx. 74 lm/W
 360° light output
 neutral white, approx. 4000 K
 >= 95
 IP67
 I
 0-10V dimming
 build in power supply
 acrylic, opal
 approx. 1.8 kg (4 lb)
 8 ft cord
 suspended, horizontal brackets and Canopy kit (included)
 82" suspension Aircraft wire
 A = 955 mm (37.59 in)
 D = 765 mm (30.1 in)
 70 mm (2.75 in)
 with screwed cable gland
 suitable for wet locations
 40C (104F)



illuminance



luminous intensity

