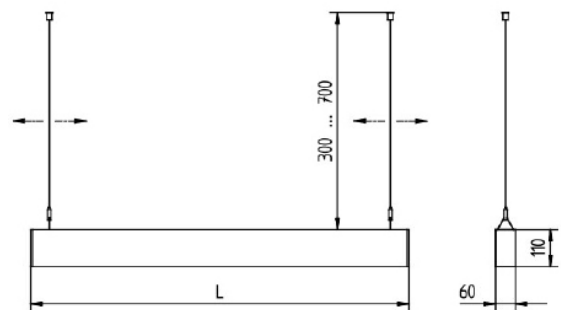


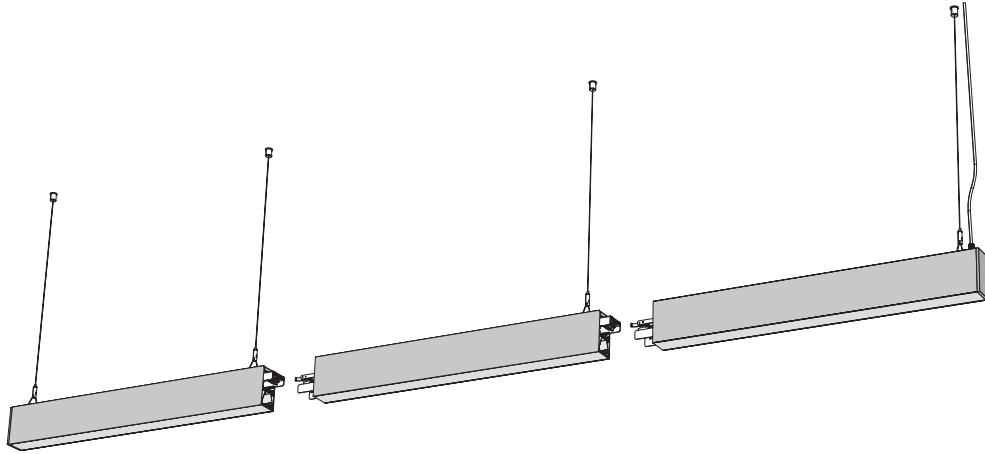
IDOO/DOTOO.LINE LINEAR LIGHTING SYSTEM



This series of architectural lighting features a sleek 2.4" x 4.3" profile, ideal for any type of atrium, lobby, or office configuration. The minimalistic design blends seamlessly with surrounding decor or architecture. Direct/indirect or 100% direct LED light is generated by specially designed reflection technology. The modular interlocking system allows for flexibility in layouts - linear runs can be achieved with multiple fixtures in a series for up to 60 feet. Many length, mounting and illumination options offer a customized look to your space.

- Made from extruded aluminum with fused aluminum end caps
- Durable powder coat finish
- High efficiency clear indirect lens
- Choice of direct optics, including low UGR architectural MD optics
- Choose from standard or customize to your light output requirements
- **Compatible with most lighting controls and sensors**
- Design as you choose with full line of options for patterns, recessed, or standalone solutions. (consult factory)
- Standard fixtures are compatible with all common 0-10V lighting controls



Client:**Project Name:****Fixture Type:****Quantity:**(Submittal sheets available at waldmannlighting.com)

Configure Your Part Number

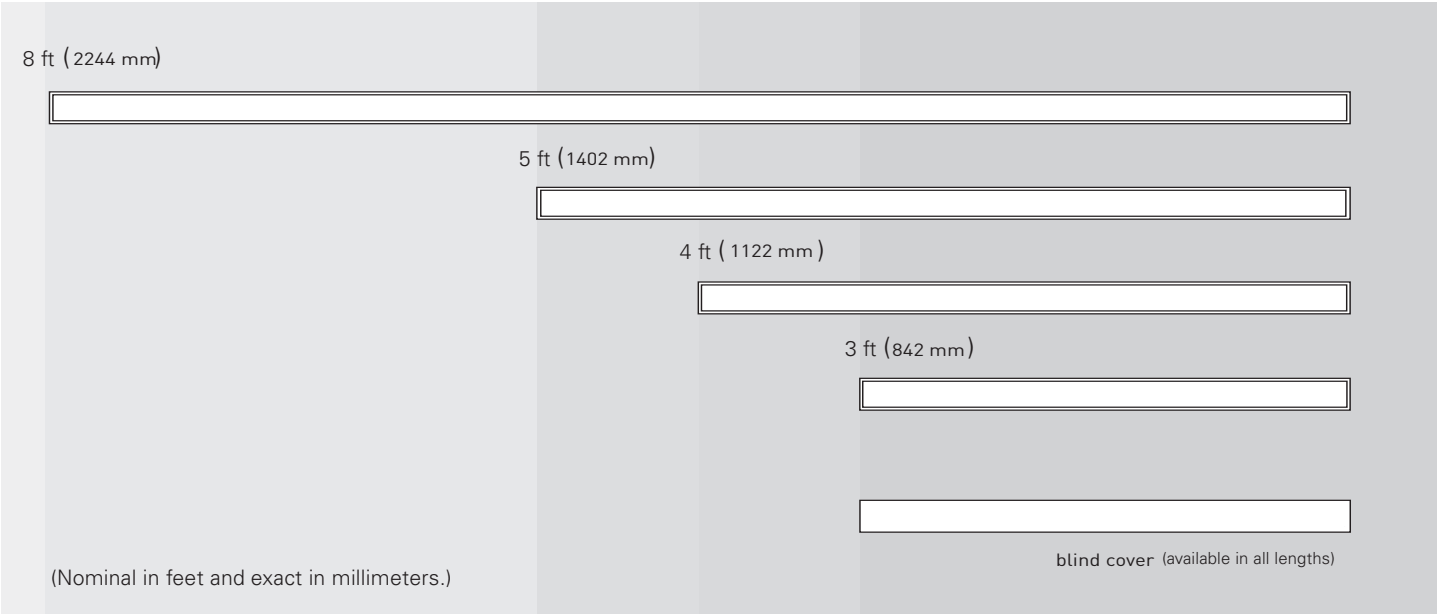
Select from the following options to build a part number for your unique application.

LLS	-	-	-	-	-	-
	_____	_____	_____	_____	_____	_____
	Nominal Length	Mounting	Distribution	Direct Lens	CCT	
	3 - 3 ft	P - Pendant	ID - Indirect/Direct (60/40)	CDP - Prismatic	30 - 3000K	
	4 - 4 ft	S - Surface	D - Direct Only	DO - Satine (Frosted)	35 - 3500K	
	5 - 5 ft	R - Recessed	Other - Consult Factory	MD - MD Architectural Optics	40 - 4000K	
	8 - 8 ft	W - Wall		WW - Uniform Wall Wash	VTL - 2700K-5700K	
	x(FT) - Enter					
	continuous linear feet					
	-	-	-	-	-	-
	_____	_____	_____	_____	_____	_____
	Voltage	Driver	Sensor	Color		
	U - 120-277V	STD - 0 -10V	N - None	W - White - (Quickship)		
	PoE - Low Voltage	DALI - DALI-2	DL - Daylight	G - Gray		
	NET - Waldmann	PSQ - Lutron T-Series Tunable	M - Motion	B - Black		
	Net Module	LDE1 - Lutron HiLume 1% EcoSystem	VDO - Lutron Vive Daylight/Occupancy	Other - Consult Factory		
		LED5 - Lutron 5-Series EcoSystem	VRF - Lutron Vive RF			
		CS - Molex CoreSync Power Over Ethernet	CSR - CoreSync Sensor R			
		Other - Consult Factory	NET - Waldmann Net Module			
			BLE - Bluetooth Casambi			
			Other - Consult Factory			



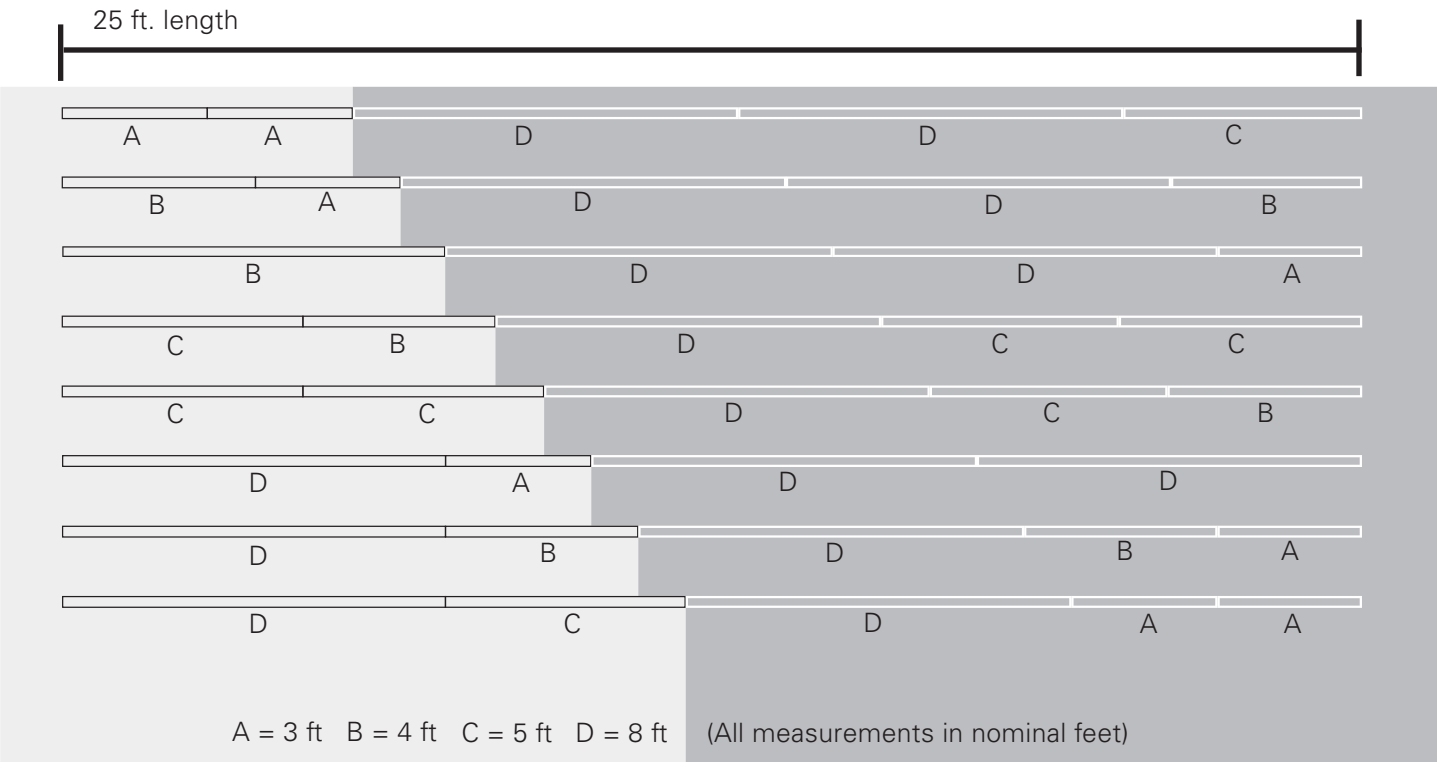
Choose Your Length

The IDOO/DOTOO.line series can be used as a stand-alone in standard lengths, or configured in a continuous linear run easily linking any combination of fixtures.



Build Your Linear Run

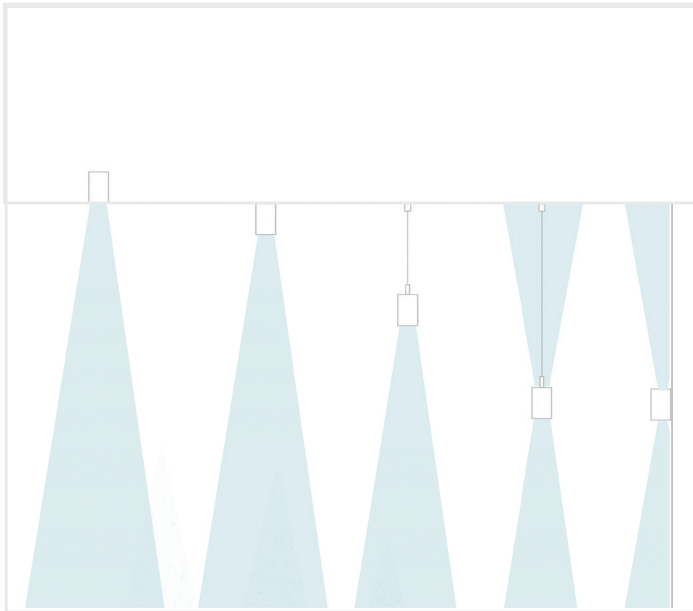
One powerfeed operates up to 60 feet, allowing for a variety of design and linear run options. The same linear run can be configured utilizing a variety of lengths of fixtures, as illustrated below, which allows optional placement of wall wash or MD optics where needed.



Light Mounting and Distribution

The IDOO/DOTOO.line series features the same profile fixture with mountings that vary - recessed, ceiling mounted, suspended, and wall mounted, as well as direct-only or direct/indirect lighting distributions, as illustrated below.

Whether installed as a stand-alone fixture or a continuous run, the sleek, simple form blends beautifully in any space and allows the room design to take center stage.



(Distributions not to scale)

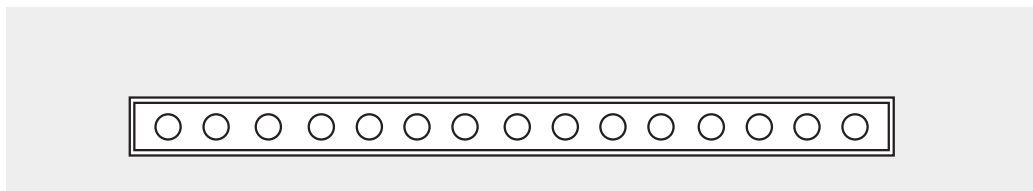


Lens Optics

Direct light distribution can be custom selected with four unique optics to choose from- the MD architectural optic, DO opal diffuser, CDP prismatic diffuser, and the WW uniform wall washer optic.

MD Architectural Optics

Linear multispot downlight reflectors with micro facets allow precise shaping of light beam. Angles of direct light beam and light reflected from the reflector are perfectly aligned, providing sharp cut off for full visual comfort. The optics also boasts UGR as low as < 6.



DIRECT

Four fixture lengths

Beam angles

UGR

Total power

Luminaire efficiency

Color temperature

CRI

LED service life

Voltage

Compatible with

33 in.(846 mm)/ 44 in.(1126 mm)/

66 in.(1406 mm)/ 88 in.(2248 mm)

35°, 55°, 75°

<6 (35°), <10 (55°), <19 (75°)

42-70W

82-92 lumens/W

2700K/4000K/2700-5200K

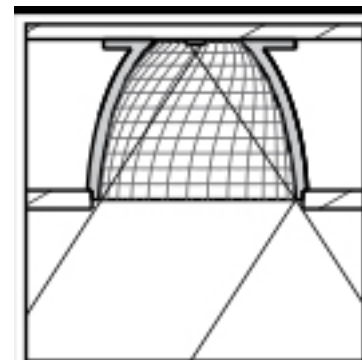
>80

50,000 hours L70B10/ SCDM3

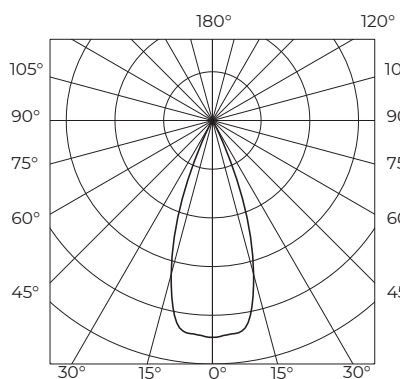
120-277V; 50-60Hz

0-10V, DALI, LUTRON

(consult factory for other)

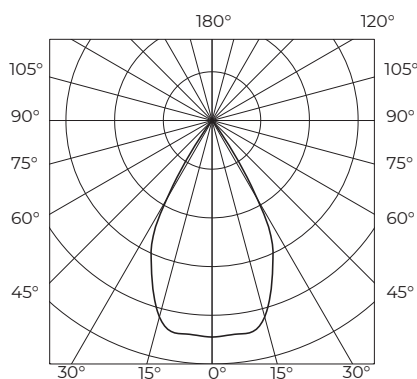


Beam Angle - 35°



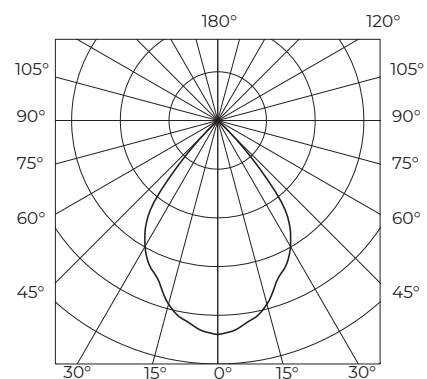
— C0 - C180 -- C90 - C270

Beam Angle - 55°



— C0 - C180 -- C90 - C270

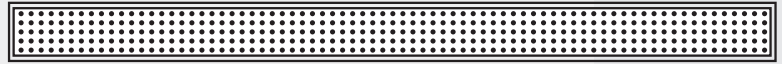
Beam Angle - 75°



— C0 - C180 -- C90 - C270

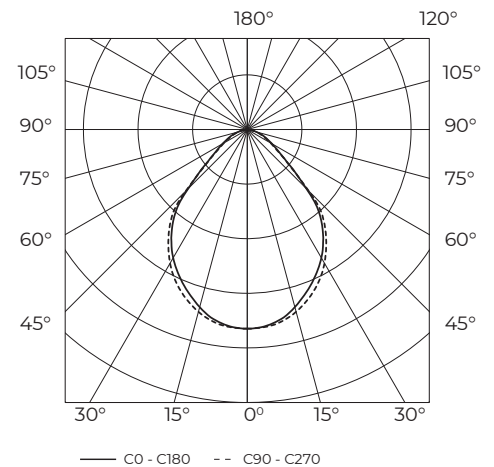
DO Optics

The opal diffuser provides a uniformly illuminated surface, dispersing light evenly, while diffracting the view of any visible light sources.



DIRECT

Four fixture lengths	33 in.(846 mm)/ 44 in.(1126 mm)/ 66 in.(1406 mm)/ 88 in.(2248 mm)
Total power	11-30W
UGR	<25
Luminaire efficiency	122 lumens/W
Color temperature	3000K/ 3500K/ 4000K/ 2700-5700K
CRI	>80
LED service life	60,000 hours L80B10/ SCDM3
Voltage	120-277V; 50-60Hz
Compatible with	0-10V, DALI, LUTRON (consult factory for other)



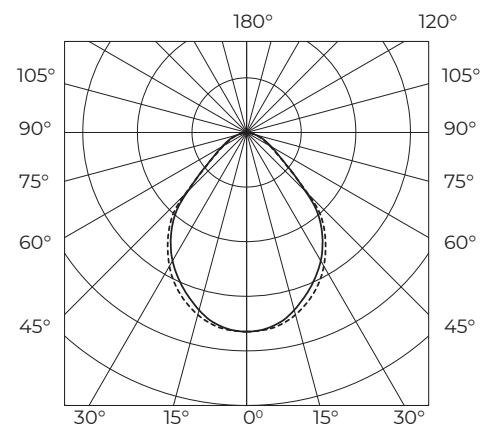
CDP Prismatic Optics (Standard Offering)

The highly transparent micro prismatic diffuser provides glare limitation and a soft, uniform light. The opal foil spreads light evenly without visible light sources. The transparent extruded PMMA protector provides a smooth surface for easy maintenance.



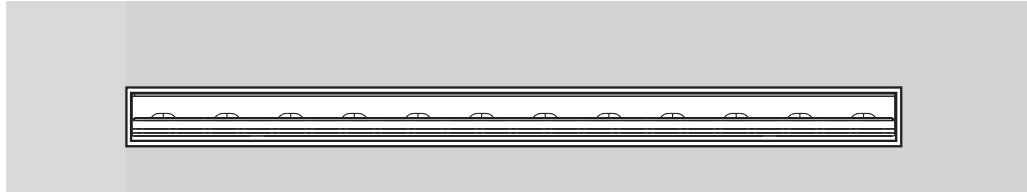
DIRECT

Four fixture lengths	33 in.(846 mm)/ 44 in.(1126 mm)/ 66 in.(1406 mm)/ 88 in.(2248 mm)
Total power	11-30W
UGR	<19
Luminaire efficiency	98 lumens/W
Color temperature	3000K/ 3500K/ 4000K/ 2700-5700K
CRI	>80
LED service life	60,000 hours L80B10/ SCDM3
Voltage	120-277V; 50-60Hz
Compatible with	0-10V, DALI, LUTRON (consult factory for other)



Wall Wash Optics

The wall washing reflectors ensure uniform lighting distribution with precise cut off eliminating adjacent glare. Can be placed within any run, or used as standalone.



DIRECT

Four fixture lengths

33 in.(846 mm)/ 44 in.(1126 mm)/
66 in.(1406 mm)/ 88 in.(2248 mm)

Total power

40-106W

Luminaire efficiency

65 lumens/W

Color temperature

3000K/ 3500K/ 4000K/ 2700-5700K

CRI

>80

LED service life

50,000 hours L70B10/ SCDM3

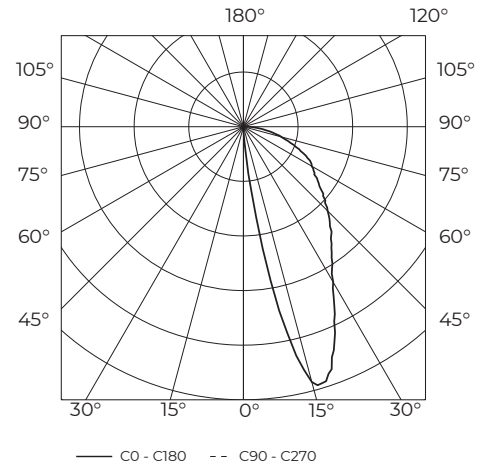
Voltage

120-277V; 50-60Hz

Compatible with

0-10V, DALI, LUTRON

(consult factory for other)



Clear Optics

The indirect light component features a transparent / satin PMMA diffuser.



INDIRECT

Four fixture lengths

33 in.(846 mm)/ 44 in.(1126 mm)/
66 in.(1406 mm)/ 88 in.(2248 mm)

Total power

8-21 W

Luminaire efficiency

160 lumens/W

Color temperature

3000K/ 3500K/ 4000K/ 2700-5700K

CRI

>80

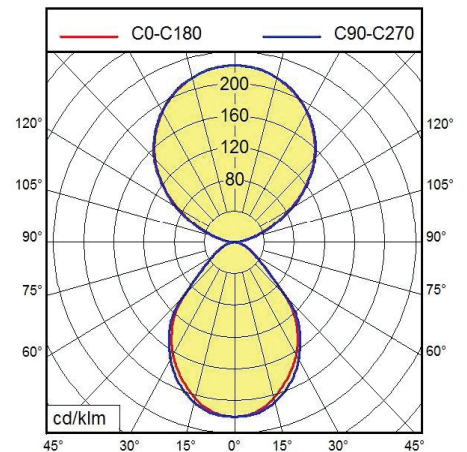
LED service life

60,000 hours L80B10/ SCDM3

Compatible with

0-10V, DALI, LUTRON

(consult factory for other)



(Indirect/Direct light shown)

Compatible with Third-Party Drivers and Sensors

NET MODULE

Waldmann NetModule

Waldmann NetModule, standalone lighting control system, allows single or color tunable controlling via an SD card and internal clock, without the need of outside controls. The NetModule uses internal DALI protocol to control pre-programed lighting tasks that can be overridden with any wired or wireless DALI dimmers and switches. Lighting scenes can easily be changed by replacing or reprogramming the SD card.

LUTRON

Lutron

Lutron EcoSystem enabled options for compatibility with Lutron Quantum and other control systems using EcoSystem. T-Series enabled for dynamic white applications using Lutron Quantum Vive wireless enabled for smart building applications in new construction or retrofitting existing buildings. Visit www.lutron.com for more details.

CoreSync

Molex CoreSync

Power over ethernet enabled fixtures communicate with devices and software providing full PoE compatibility for maximum energy management. Fixtures are powered using low voltage cables and gateways for the most modern controls solution. Visit www.coresync.molex.com or call our factory for more information. Waldmann offers a full line of CoreSync compatible fixtures.

EASYSense

Philips EasySense - Xitanium Sensor

Ready drivers provide an effective foundation for connected lighting systems and network solutions by providing a digital connection between driver and fixture. When used with the EasySense system, fixture settings can be easily configured and modified. Visit www.usa.lighting.philips.com

Enlighted

Using Enlighted patented wireless sensor technology and software, Enlighted ready fixtures can be networked for full control and real time data collection allowing building owners to maximize insights for the smartest building management decisions. Information about Enlighted IoT solutions company can be found at www.enlightedinc.com

EldoLED - SOLO or DUAL

These DALI drivers can connect to any open DALI protocol system. DALI-2 certified, LightShape technology, allow for single or tunable white lighting solutions. LEDcode feature connects to digital accessories, supports location based IoT applications and enables wired and wireless lighting control through LEDcode peripheral devices. For information on the wide range of applications, visit www.eldoled.com

Bluetooth Casambi

This self organizing Wireless Mesh Network fixture utilizes bluetooth technology to connect to small or large networks that can be controlled from any point in the system. Fixtures can be controlled by traditional wall switches, wireless switches or from any electronic device through the Casambi app. For more information on bluetooth mesh networks, visit casambi.com

Osram ENCELIUM EXTEND

Osram IoT ready fixtures are compatible with all ENCELIUM EXTEND Networked Light Management System components, including Polaris 3D software. This fully advanced, intelligent light management solution can be found at www.osram.us

Acuity nLight

nLight compatible fixtures are sensor based digital luminaires for wireless and wired controls. Luminaires can easily join the nLight network for any size project. The go-to digital lighting platform can be found at www.acuitybrands.com

Disclaimer: The Waldmann IDOO/DOTOO.line Linear Lighting System is not affiliated with the above providers.