

Treatment luminaire Triango Fokus 100-3 C DUAL

D16206000

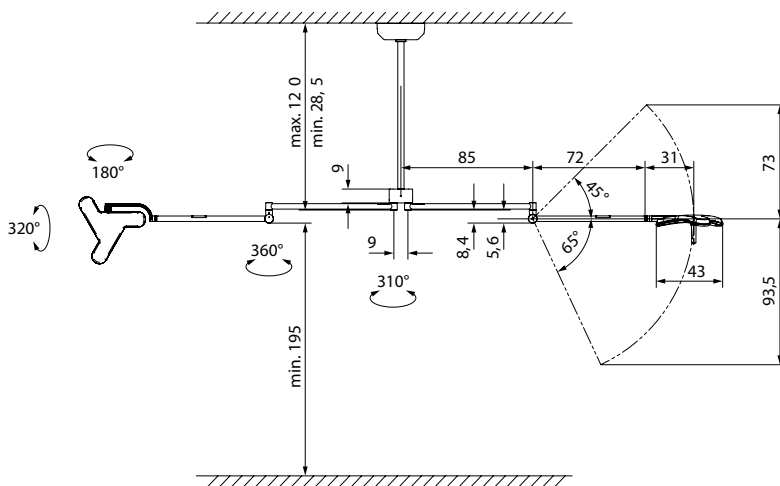
Waldmann W

ENGINEERS OF LIGHT



- light source**
- work equipment**
- connected load**
- power consumption**
- color temperature**
- color rendering index (CRI)**
- luminous power**
- illumination area**
- luminaire body**
- weight (net)**
- usage**
- technology**
- balance of articulation joints**
- protection rating**
- class of protection**
- standards met**
- mains lead**
- accessories**
- mounting**
- special features**

- LED module
- electronic plug-in transformer
- 100-240 V, 50/60 Hz
- 2 x 40 W
- variable, 3700 K / 4300 K / 4700 K
- >95
- 2 x 100 000 lux / 1.0 m
- variable, 18cm (7.1 in) / 23cm (9.1 in) / 28cm (11.0 in) @ 1.0m
- polyamide (PA)
- 66.1 lbs (30 kgs)
- touch panel on cardanic system
- single-pole secondary
- spring (weight compensation)
- IP 43 (luminaire head)
- I
- EN 60601-1, EN 60601-2-41
- direct power supply
- sterilizable hand, intermediate ceiling adapter
- ceiling mount, ceiling tube can be cut on site (length: 25-120cm / 9.8-47.2 in)
- diamond optics, sterilizable handle,
- maintenance-free, high quality arm system,
- dimnable



light distribution

