

| | | | | | |
|-----------------|--|--------------|--|------------------|--|
| PROJECT: | | TYPE: | | QUANTITY: | |
|-----------------|--|--------------|--|------------------|--|

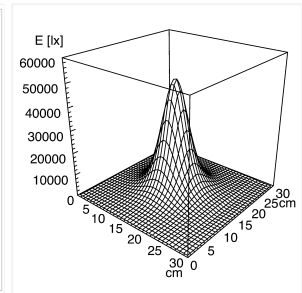
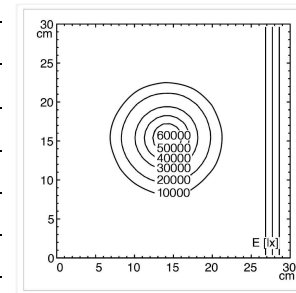
Electrical:

| | |
|-----------------------------------|---|
| Nominal input voltage | 100-240V |
| Frequency range | 50 / 60Hz |
| Power consumption | 30W (42-52VA) |
| Input current | 0.42A |
| Integrated electronic transformer | 24V DC output |
| Approval - Safety | ETL/cETL |
| User interface | Continuously dimmable rotary switch on the head |



Illumination:

| | |
|----------------------------------|--------------------|
| Fitted with | LED Technology |
| Central illuminance at 1.0m | 60,000 lux |
| Light field diameter d10 at 1.0m | Ø = 16 cm (6.3in) |
| Light field diameter d50 at 1.0m | Ø = 8.5 cm (3.3in) |
| Depth of illumination L1 + L2 | 120cm (47.24in) |
| Color Temperature | 4500 K |
| Color Rendering Index Ra | >95 |
| Life time | 40000h |



Weight:

| | |
|---|---|
| Light head | 3 kg (6.6lbs) |
| triango 30 C (includes light head) | 15 kg (33lbs) |
| Luminaire Materials | Head – polycarbonate & acrylonitrile butadiene styrene copolymer (PC &ABS); Arm – metal |
| Fastening | Ceiling mount to structural ceiling, tube can be field cut to length (150-900 mm) |

Classification:

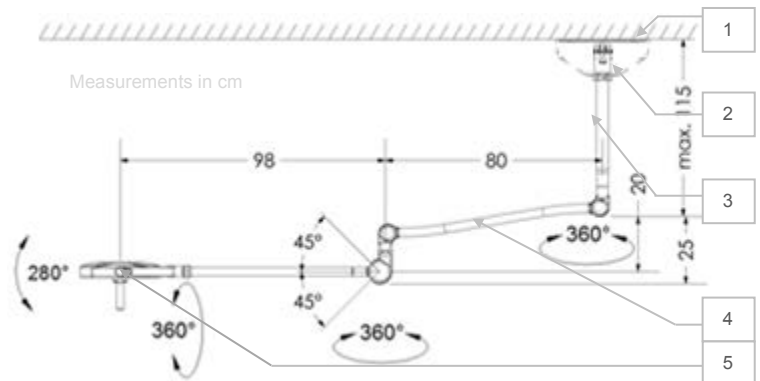
| | |
|--------------------------------------|--|
| triango 30 | Class I; FDA Class I |
| Degree of protection as per IEC 529 | IP 20 |
| Light head | IP 43 (horizontal position) |
| Electrical safety test according to: | AAMI ES60601-1, CSA C22.2#60601-1, IEC/EN 60601-1, IEC/EN 60601-2-41, IEC/EN 60601-1-2 |
| Special feature | Removable Sterilizable Handle included |

Component List - Included

| # | Part Number | Description |
|---|-------------|----------------------------|
| 1 | US4-002-150 | Mounting Plate 11.5 in. |
| 2 | D74-285-000 | Dome Cover |
| 3 | US4-001-320 | Pole, 700MM Length |
| 4 | D74-544-100 | Spring Balanced Arm |
| 5 | D15-312-000 | Head, Triango 30, 24V, LED |
| 6 | US4-002-414 | Dome Cover Kit w/ Collar |
| 7 | US4-002-415 | Disc Cover Kit w/ Collar |

Additional Information Available (Manuals)

| | | |
|---|--------------|----------------------------|
| 1 | Call Factory | Triango Pre-Install Guide |
| 2 | Included | Triango Manual |
| 3 | Call Factory | Triango Spare Parts Manual |



NOTE: If fixture is to be installed above a drop ceiling, Additional items 6 or 7 must be ordered separately. Please refer to Triango Pre-Install Guide for installation suggestions.