

DLite® amadea Bed 28/28 W - D14784001

TECHNICAL DATA

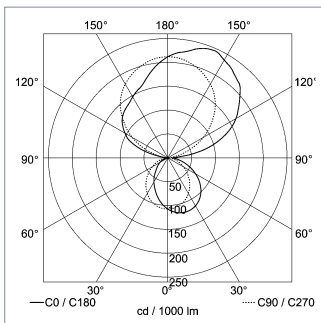
ROOM LIGHTS

FITTED WITH	2 x fluorescent lamp T5 28 W
LIGHT DISTRIBUTION	general lighting; indirect 28 W examination lighting; indirect/direct 2x28 W
WORK EQUIPMENT	electronic ballast, low voltage controller
CONNECTED LOAD	277 V; 50-60 Hz
MAINS LEAD	direct power supply
LUMINAIRE BODY	aluminium powder-coated
WEIGHT (NET)	approx. 6,3 kg (13.9 lbs)
POWER CONSUMPTION	approx. 77 W
USAGE	without switch
LAMP COVER	Acrylic satine
TECHNOLOGY	single switchable
CLASS OF PROTECTION	I
NORMS	EN 60598-1, EN 60598-2-25
SPECIAL FEATURES	DRS Double-Reflector-System
FASTENING	wall mount



LIGHT DISTRIBUTION

TECHNICAL DRAWING



Dimensions in cm.

