

DLite® amadea Bed 54/54 W - D14776001

TECHNICAL DATA

ROOM LIGHTS

FITTED WITH 2 x fluorescent lamp T5 54 W - D68890000
1 x fluorescent lamp T5 24 W - D68892000

LIGHT DISTRIBUTION general lighting; indirect 54 W
examination lighting; indirect/direct 54 W
lighting for reading; direct 24 W

WORK EQUIPMENT electronic ballast, low voltage controller

CONNECTED LOAD 230-277V; 50-60 Hz

MAINS LEAD direct power supply

LUMINAIRE BODY white

WEIGHT (NET) approx. 6,3 kg (13.9 lbs)

POWER CONSUMPTION approx. 152 W

USAGE without switch

LAMP COVER Acrylic satine

TECHNOLOGY single switchable

CLASS OF PROTECTION I

NORMS EN 60598-1, EN 60598-2-25

SPECIAL FEATURES DRS Double-Reflector-System

FASTENING wall mount

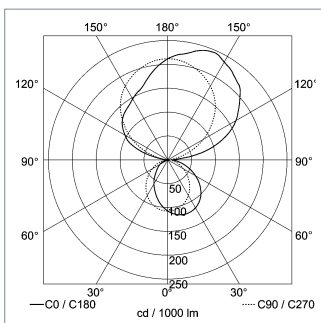


Low voltage controller is compatible with most nurse call systems and is set to the following default settings.

- single button operations (Dual button can be selected with the LVC mode selection switch (see manual).
- general light to be controlled by remote wall switch (supplied by other).
- reading and examination lamps are sequenced with the pillow speaker lamp button (supplied by other).

LIGHT DISTRIBUTION

TECHNICAL DRAWING



Dimensions in cm.

