

DLite® amadea 2x39 W - D13944000

TECHNICAL DATA

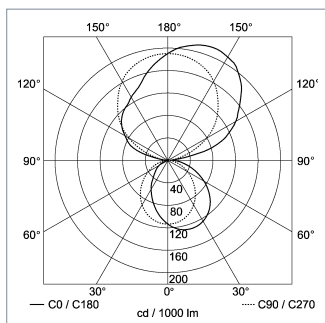
ROOM LIGHTS

FITTED WITH	2 x fluorescent lamp T5 39 W - D68891000
LIGHT DISTRIBUTION	general lighting indirect/direct
WORK EQUIPMENT	electronic ballast
CONNECTED LOAD	120-277; 50/60Hz
MAINS LEAD	direct power supply
LUMINAIRE BODY	aluminium powder-coated
WEIGHT (NET)	approx. 5,0 kg (11.0 lbs)
POWER CONSUMPTION	approx. 80 W
USAGE	without switch
LAMP COVER	Acrylic satine
TECHNOLOGY	not single switchable
CLASS OF PROTECTION	I
NORMS	EN 60598-1, EN 60598-2-25
FASTENING	wall mount
ORDER NUMBER	D13944000 - silver



LIGHT DISTRIBUTION

TECHNICAL DRAWING



Dimensions in cm.

