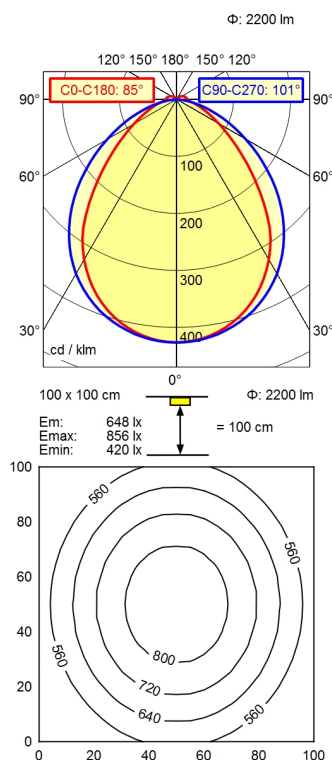


M12-A-5



light source  
 work equipment  
 connected load  
 power consumption  
 luminous flux  
 luminous efficiency  
 light distribution  
 beam angle  
 colour temperature  
 colour temperatur  
 color rendering index (CRI)  
 chromaticity tolerance LED  
 glare control  
 system of protection  
 class of protection  
 technology  
 operation  
 housing  
 cover  
 weight (net)  
 mains lead  
 design  
 fastening  
 dimension  
 special features

LED  
 without  
 22-26 V, DC  
 env. 17 W  
 approx. 2.200 lm  
 approx. 129 lm/W  
 direct  
 85° / 101°  
 neutral white  
 approx. 5.000 K  
 >= 80  
 < 4 SDCM  
 screen  
 IP 54  
 III  
 multi-stage switchable  
 external  
 aluminium/plastic; anodised, painted; aluminium  
 coloured anodised  
 Acrylic satine  
 env. 0,490 kg  
 built-in plug; M12-A-5  
 mounted version  
 bracket  
 A=615mm,Cmin=555mm,Cmax=600mm  
 ADVANCED package