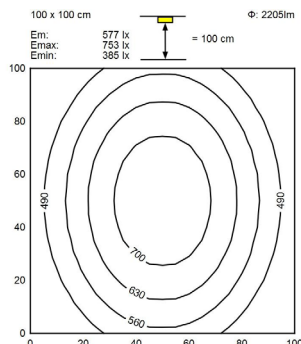


light source	LED
work equipment	Energy efficiency category A/A+/A++
connected load	without
Power consumption	22-26 V; DC
luminous flux	approx. 21 W
luminous efficacy	approx. 2205 lm
light distribution	approx. 105 lm/W
colour temperature	direct
color rendering index (CRI)	neutral white, approx. 5000 K
glare control	> 80
System of protection	screen
class of protection	IP54
technology	III
operation	switchable
luminaire body	external
lamp cover	aluminium/plastic, anodised; painted, aluminium coloured
weight (net)	anodised
mains supply	Acrylic satine
design	approx. 0.4 kg, (0.88 ln)
Fastening	built-in plug
dimension	M12-A-5
special features	mounted version
	bracket
	A=1035mm, C=990mm, C1=1020mm
	A=40.74in, C=38.97in, C1=40.15in
	through-wired



illuminance



luminous intensity

