



**fitted with**

- work equipment**
- connected load**
- power consumption**
- luminous flux**
- luminous efficacy**
- light distribution**
- light color**
- color rendering index (CRI)**
- glare-free**
- system of protection**
- class of protection**
- technology**
- usage**
- luminaire body**
- lamp cover**
- tubular sections**
- weight (net)**
- mains lead**

**LED**

- electronic plug-in transformer
- 100-240 V; 50/60 Hz
- approx. 6 W
- approx. 490 lm
- approx. 82 lm/W
- direct, narrow-angled beam
- neutral white, approx. 5000 K
- > 70
- screen
- IP 67
- II with plug-in power supply; III without plug-in power supply
- switchable
- pressure switch
- aluminium, painted, black
- glass screen
- flexible metal tube, black
- approx. 1.7 kg (3.7 lbs)
- approx. 3 m (9.8 ft); mains plug
- US and foreign plugs included.

**fastening**

**special features**

- screw-down flange
- Spot with a 10° angle of radiation



BS 1363 A



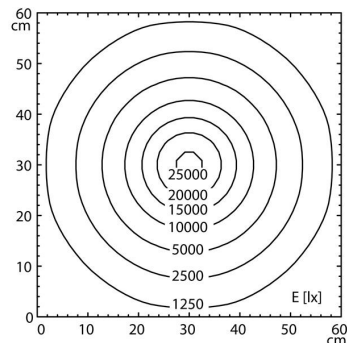
CEE 7/XVI



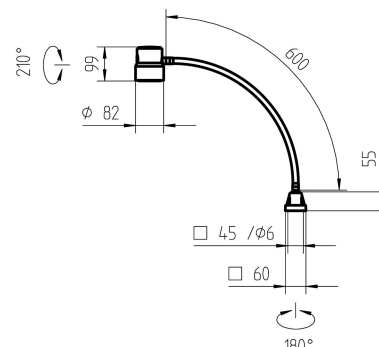
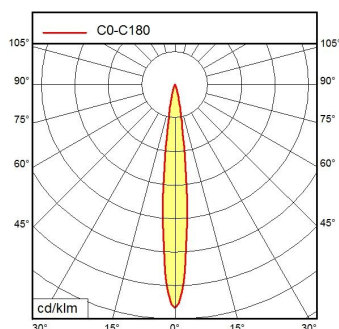
NEMA 1-15P

**illuminance**

distance: 50 cm  
**Em:** 4520 lx  
**Emax:** 26130 lx  
**Emin:** 474 lx



**luminous intensity**



dimensions in mm