

Pivoting-head luminaire RO CIA.focus

RFJ 600/850/S

113185000-00668613

Waldmann **W**

ENGINEERS OF LIGHT

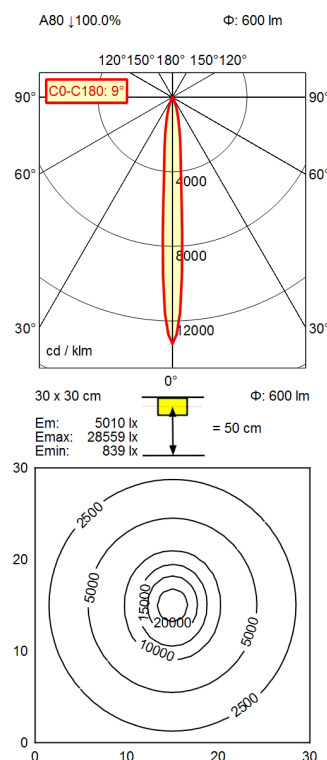


light source
work equipment
connected load
power consumption
luminous flux
luminous efficiency
light type/color
color temperature
color rendering index (CRI)
light distribution
beam angle
chromaticity tolerance LED
glare control
luminance (L65)
unified glare rating (4H 8H)
system of protection
class of protection
technology
operation
housing
light source cover
mains lead
fastening

maximum ambient temperature
weight incl. packaging

LED
without
12-40 V; 12-28 V AC; 12-40 V DC; 50/60 Hz
approx. 8 W
approx. 600 lm
approx. 75 lm/W
cold white
approx. 5,000 K
CRI ≥ 80
narrow-beam; direct
10°
< 4 SDCM
optics
≤ 4000 cd/m²
≤ 16
IP 67
III
switchable; continuously dimmable
push button
aluminum; anodized; black
borosilicate
approx. 3.7 m (12'); free stranded wires
magnetic base (accessory); wall bracket (accessory); screw-down flange
40°C
approx. 1.5 kg (3.3 lbs)

light distribution



H	Φ: 600 lm	E	D
0.25 m		126826 lx	0.039 m
0.50 m		31706 lx	0.078 m
0.75 m		14092 lx	0.12 m
1.00 m		7927 lx	0.16 m

