



**fitted with**

1 x LED module  
light color warm white, 3000 K, Color Rendering Index (CRI)=85

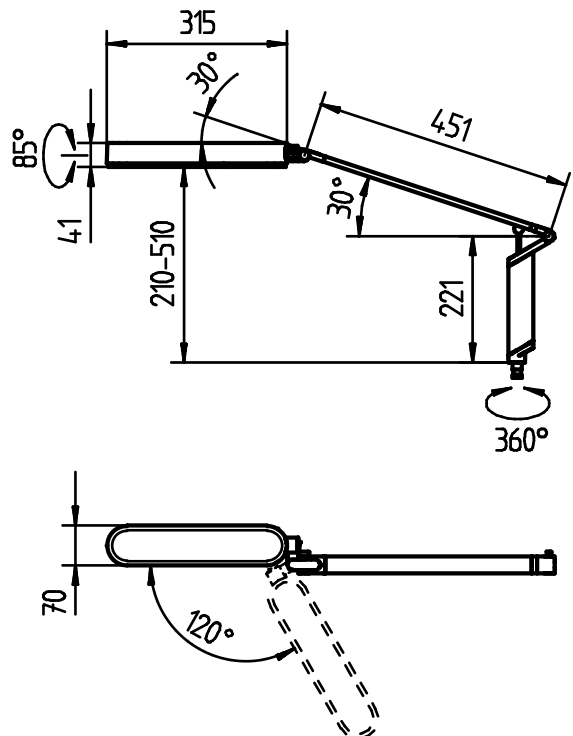
- work equipment**
- connected load**
- power consumption**
- luminous flux**
- light yield**
- illuminance efficiency factor**
- glare-free**
- class of protection**
- technology**
- luminaire body**
- lamp cover**
- tubular sections**

electronic plug-in ballast  
100-240 V; 50/60 Hz  
approx. 8 W  
approx. 450 lm  
approx. 56 lm/W  
83 lx/W  
conical prismatic screen II  
switchable  
conical prismatic screen  
plastic, hot stamping, aluminium colored anodized  
tubular aluminium section, anodized, aluminium colored anodized  
gas pressure spring  
approx. 1.0 kg (2.20 lbs)  
approx. 3,25 m (10.49'); plug in driver  
NEMA 1-15P  
table clamp (included)

- balance of articulation joints**
- weight (net)**
- mains lead**
- fastening**



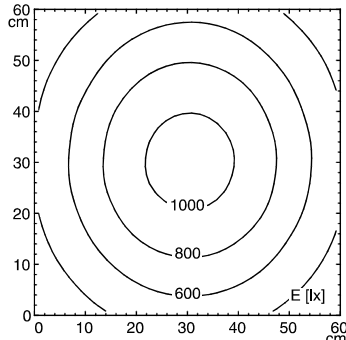
NEMA 1-15P



**illuminance**

measuring conditions: d=50cm

Em: 661 lx  
Emax: 1063 lx  
Emin: 286 lx



**luminous intensity**

