



R O M A

Task lighting designed for the 21st century.



Waldmann Lighting





- ▲ The sleek Roma with twin vertical arms is ideal for larger work spaces.
- ▶ The new Chorus “indirect” uplighter providing ambient illumination is shown with the “direct” Montreaux adjustable task light below. Chorus uplighter fixtures are furniture-integrated and work in unison with any of our task light models. The two components form our Twin-C® lighting system.





Setting new standards in ergonomic lighting.

Roma: Innovative arm and head design for VDT office environments.

The sleek Roma features a swivel joint designed into the base of the head that permits precise, ergonomic rotation and positioning. The internal spring balanced single and twin vertical arms allow the Roma to be easily moved and directed to specific work areas that need illumination. The twin horizontal arm offers maximum worksurface coverage; while the single arm is

ideal for smaller work areas. There is a perfect style for any workstation configuration. The aluminum parabolic louver, pioneered by Waldmann, guides light to your reference area and reduces computer screen glare. Light intensity shifts (transient adaptation) between a VDT and work surface, for example, are minimized. The Roma provides comfortable, well directed light that greatly enhances both direct and indirect lighting systems.

Discover the energy efficient 18-watt compact fluorescent lamp.

This highly efficient lamp is cool to the touch; yet it has the same light (lumen)

output as a 100-watt incandescent lamp. It provides 12,000 hours of lamp life, a CRI of 82, and a kelvin temperature of 4100K. Printed tasks will appear vivid and crisp under this light source. An electronic ballast "E" version is also offered for increased energy efficiency.

Color options for virtually any office environment.

The Roma is available with black or platinum arms with a matching black or platinum inset shade. Additional colors to accent virtually any office décor are available upon request.

For over sixty years, Waldmann Lighting has been internationally recognized as a leading manufacturer of quality task lighting for virtually every type of workplace in business and industry around the world.

When you specify task lighting, make a brighter choice:

**the Roma by
Waldmann.**

Task Lighting Guidelines.

The Illuminating Engineering Society of North America (IESNA) recommends considering these factors when determining the amount of light necessary for performing office tasks:

- Worker's age.
- Type of activity performed.
- Characteristics of the visual task.
- Critical requirements for speed & accuracy.
- Background reflectance.

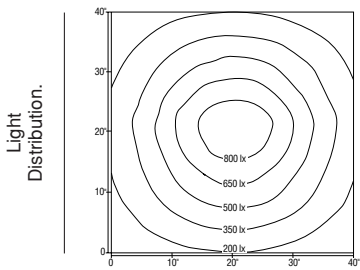
An average of 18 to 46 footcandles of light should be used to illuminate a VDT office.

Bright, agreeable light for hours of comfortable, productive performance.

Waldmann Task Lights are carefully engineered to meet the requirements of an ergonomically-sound workplace. Criteria set by the U.S. Government and used in developing the Roma and other Waldmann lights include:

- Ample illumination for work being performed at all areas of the workstation.
- Even illumination over an adequate range.
- Little or no spill light onto the VDT screen.
- Fluorescent light source to minimize heat.
- Non-reflective surface finish on lights.
- Capability to maneuver the light in multiple directions, both vertically and horizontally.

Isolux Lines of Horizontal Illumination.



Distance of head to working plane = 20 inches.

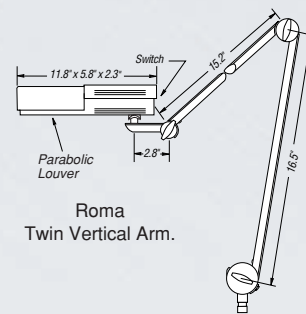
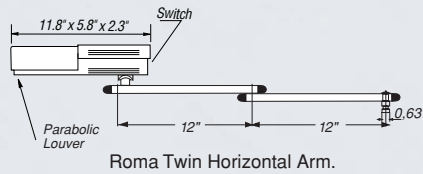
Precise positioning.

Roma's articulated arm comes in three styles: single, twin vertical and twin horizontal. The single arm works well in small workstation configurations while the twin vertical arm is ideal for larger workstations. Use the twin horizontal arm under a binder bin or in areas that require a broad reach of light. All models fit into furniture panel systems. The Roma can be mounted on a table clamp, wall bracket, table base, grommet, or open office furniture panel brackets that fit over 70 office furniture systems.

Energy Saving Electronic Ballast Model Available.

The Roma is available with an optional electronic ballast. The electronic ballast, which is built into the head, ignites lamps quickly and eliminates flickering. This special ballast helps reduce energy consumption which is an important issue for many progressive companies today.

Waldmann's Roma... the brilliant solution in ergonomic task lighting.



Roma Features:

- Aluminized built-in parabolic louver (5/8" grid) for glare and reflection reduction.
- In-line magnetic ballast, or energy efficient built-in electronic ballast.
- One 18-watt compact fluorescent lamp offers 12,000 hours of life, 4100K color temperature and an 82 CRI.
- Fully articulated single, or twin balanced arms.
- Impact resistant ABS head with 110° swivel and 50° tilt for maximum control and positioning.
- Unique ball joint connected to the base of the head offers exact positioning.
- Choose either standard table clamp, wall bracket, grommet, or panel bracket for over 60 different furniture systems with each light. Optional weighted table bases are available.
- Choose Black or Platinum arms with a matching Black or Platinum inset shade. Custom colors are available. Please call our Customer Service Department at: 800.634.0007.

Roma Ordering Information:

Model	Arm Color	Head Color	Order #	Mounting Bases. (See photo above.)	Order #
Single Vertical	Black	Black	118-440-012	Table Clamp	200-498-039
Twin Vertical	Black	Black	118-220-012	Table Clamp (for rounded surfaces)	191-017-029
Twin Horizontal	Black	Black	118-360-012	Wall Bracket	308-218-109
Single Vertical	Platinum	Black	118-440-028	Grommet (not shown)	203-332-019
Twin Vertical	Platinum	Black	138-220-028	Designer Table Base	190-112-019
Twin Horizontal	Platinum	Black	118-360-028	Rectangular Table Base	190-037-019
				Single Arm Table Base	190-101-019
				Panel Bracket	Specify Furniture System
Roma Electronic Ballast "E" Versions:				Replacement Lamp.	
Single Vertical	Black	Black	118-450-012	18-watt, 4100K (Standard)	450-018-010
Twin Vertical	Black	Black	138-210-012		
Twin Horizontal	Black	Black	118-370-012		
Single Vertical	Platinum	Black	118-450-028		
Twin Vertical	Platinum	Black	138-210-028		
Twin Horizontal	Platinum	Black	118-370-028		

For custom colors, please call our Customer Service Department at: 800.634.0007



Waldmann Lighting

9 W. Century Dr., Wheeling, IL 60090 • 800.634.0007 • 847.520.1060 • Fax: 847.520.1730
www.waldmannlighting.com • E-mail: waldmann@waldmannlighting.com