



M O N T R E A U X
Interactive task lighting for the desktop.

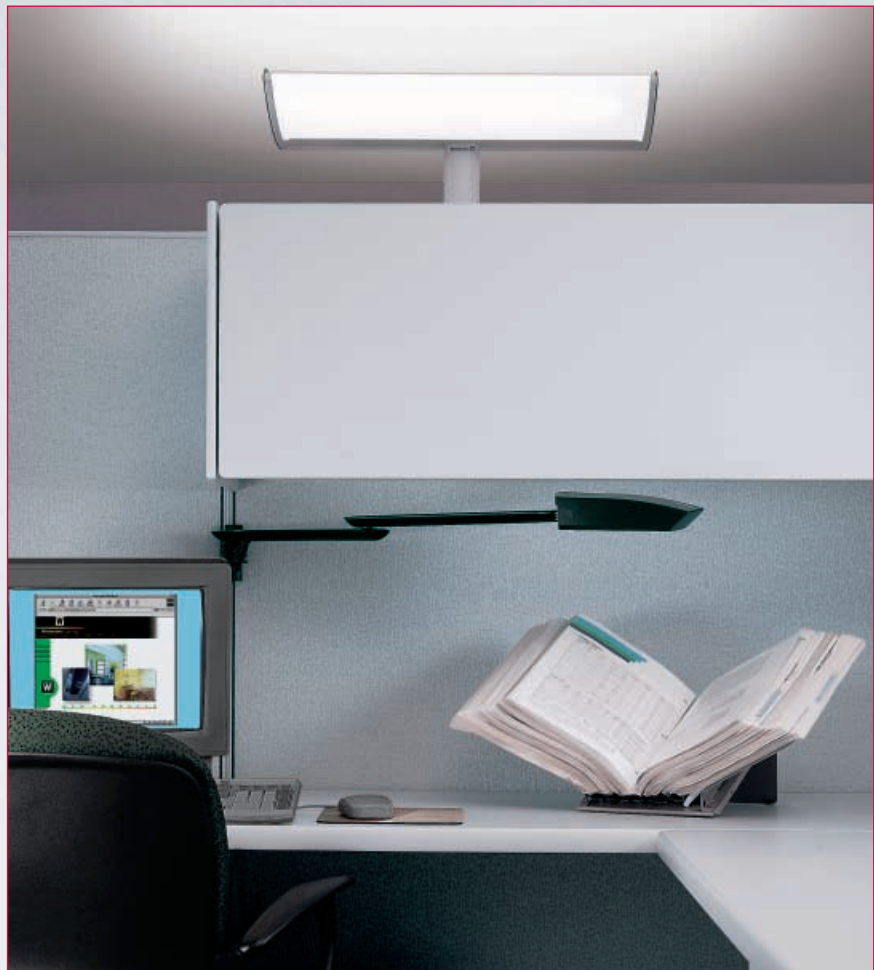


Waldmann Lighting



▲ The sleek Montreaux is available with a solid black or platinum arm. The head also features platinum accents.

► The Twin Horizontal Arm Montreaux is shown mounted in a panel bracket under an overhead storage cabinet. Also shown is the new cabinet-top portable uplighter. This indirect light is part of Waldmann's complete line of furniture-integrated Chorus fixtures that work in unison with any of our task light models. Together, the two components form our Twin-C® lighting system.





Unparalleled looks, designed for ergonomic action.

Montreaux: moves with impressive ease to illuminate personal work areas.

Montreaux's stylish, compact design allows the luminaire to be positioned effortlessly in a variety of home and office work environments. And, to meet diverse worker needs, the Montreaux's rotational ball joint, located in the base of the head, enables the light to tilt a full 180 degrees. This movement helps reduce glare off VDT screens and all other working areas.

Montreaux complements traditional and indirect office lighting (see inset photo on left) by distributing light evenly on work surfaces.

Small, sleek head provides effective lighting.

The angular head design (in black with platinum accent) contains Waldmann's own

built-in aluminized parabolic louver which directs light and minimizes light intensity shifts (transient adaptation). Computer screen glare and indirect work surface glare are virtually eliminated. The energy efficient, 18-watt, compact fluorescent lamp is

an in-line electronic ballast for increased energy efficiency, and dual light level switch for allowing users to choose the amount of light necessary for the task-at-hand. This convenient feature provides 50- or 100-percent lumen output with a simple click of a switch, and

promote lamp life. Both Montreaux versions include an installation-friendly quick-disconnect plug.

Montreaux's adjustable spring balanced twin vertical arm (available in black or platinum) comes in three styles. The single vertical arm is perfect for lighting small work surfaces, while the twin horizontal arms permit the Montreaux to be positioned effectively in workstation panels by using our adaptable panel bracket which fits over 70 office furniture systems.

For over sixty years, Waldmann Lighting has been internationally recognized as a leading manufacturer of quality task lighting for virtually every type of workplace in business and industry around the world.

When you specify task lighting, make a brighter choice:

**Montreaux
by Waldmann.**



Montreaux "E's" dual level lighting provides 50-100 percent lumen output as portrayed above.

cool to the touch, provides 10,000 hours of lamp life, 1100 lumen output, and a 4100K color temperature.

Dual Light Levels For A Variety of Environments.

The Montreaux "E" version includes all the stylish features of the standard Montreaux plus

is ideal for illuminating a variety of work requirements. In addition, the lower light level is necessary for enhancing performance in critical 9-1-1 areas and call centers where light contrasts should be kept to a minimum to reduce eyestrain and fatigue. The electronic ballast "E" feature also helps to

Task Lighting Guidelines.

The Illuminating Engineering Society of North America (IESNA) recommends considering these factors when determining the amount of light necessary for performing office tasks:

- Worker's age.
- Type of activity performed.
- Characteristics of the visual task.
- Critical requirements for speed & accuracy.
- Background reflectance.

An average of 18 to 46 footcandles of light should be used to illuminate VDT office environments.

Bright, agreeable light for hours of comfortable, productive performance.

Waldmann Task Lights are carefully engineered to meet the requirements of an ergonomically-sound workplace. Criteria used in developing the Montreaux and other Waldmann lights include:

- Ample illumination for work being performed at all areas of the workstation.
- Even illumination over an adequate range.
- Little or no glare, direct or indirect.
- Little or no spill light onto the VDT screen.
- Fluorescent light source to minimize heat.
- Non-reflective surface finish on lights.
- Capability to maneuver the light in multiple directions, both vertically and horizontally.

Ample illumination for any task.

The Montreaux provides the user with greater control over lighting in his or her environment by enabling the light direction to be precisely and easily adjusted to the task. The stylish "compact" head design enables the light to fit easily in virtually any work environment and furniture configuration. A unique aluminumized parabolic louver reduces glare on work surfaces and VDTs.

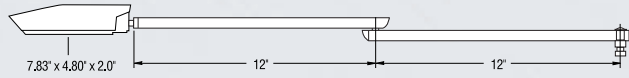
Precise positioning.

Montreaux's fully articulated arm comes in three arm styles: single vertical, twin vertical, and twin horizontal. The single arm works well in small work spaces, while the (larger/longer) twin arms are best in larger work environments that require a broad reach of light. The Montreaux mounts on a table clamp, wall bracket, table base (available for both single arm and double arm versions), or open office furniture panel brackets that fit over 70 office furniture systems.

Energy Saving Electronic Ballast Feature.

The Montreaux is available with an optional electronic ballast. This feature ignites lamps quickly and helps promote lamp life. The "E" ballast feature also helps reduce energy consumption and increases efficiency.

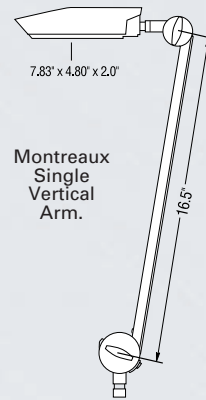
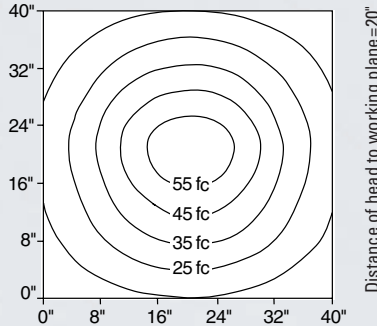
Montreaux by Waldmann... the brilliant solution in ergonomic task lighting.



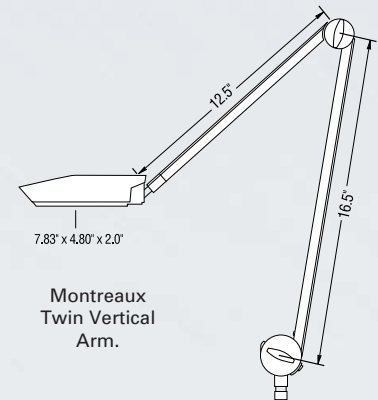
Montreaux Twin Horizontal Arm.

ISOFOOTCANDLE LINES OF ILLUMINATION

ALL MEASUREMENTS ARE STATED IN FOOTCANDLES



Montreaux Single Vertical Arm.



Montreaux Twin Vertical Arm.



Montreaux Ordering Information:

Montreaux Model	Arm Color	Head Color	Order #	Mounting Bases. (See photo above.)	
Single Vertical	Black	Black	138-423-011	Panel Bracket	Specify Furniture System
Twin Vertical	Black	Black	138-421-011	Table Clamp	200-498-039
Twin Horizontal	Black	Black	138-422-011	Table Clamp (for rounded surfaces)	191-017-029
Single Vertical	Platinum	Black	138-423-001	Wall Bracket	308-218-109
Twin Vertical	Platinum	Black	138-421-001	Designer Table Base	190-112-019
Twin Horizontal	Platinum	Black	138-422-001	Rectangular Table Base	190-037-019
Montreaux Electronic Ballast "E" Versions With Dual Light Level Switch				Table Base (for single arm models only)	190-101-019
				Grommet (not shown)	203-332-019
Replacement Lamp.					
				18-watt, 4100K (Standard)	450-018-162
				18-watt, 3000K	450-018-M62
Single Vertical	Black	Black	138-423-111		
Twin Vertical	Black	Black	138-421-111		
Twin Horizontal	Black	Black	138-422-111		
Single Vertical	Platinum	Black	138-423-101		
Twin Vertical	Platinum	Black	138-421-101		
Twin Horizontal	Platinum	Black	138-422-101		



Waldmann Lighting

9 W. Century Dr., Wheeling, IL 60090 • 800.634.0007 • 847.520.1060 • Fax: 847.520.1730
www.waldmannlighting.com • E-mail: waldmann@waldmannlighting.com