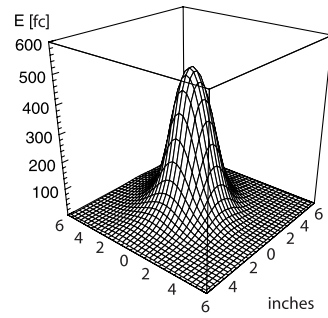
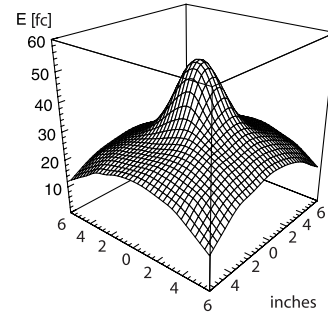
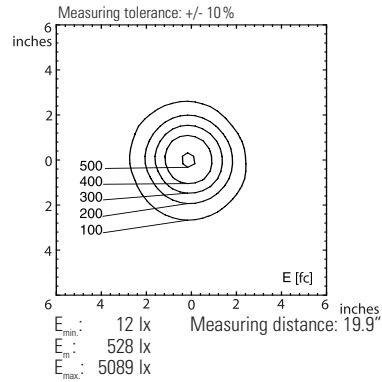


Technical Data:

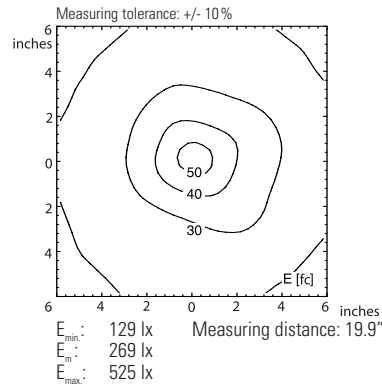
LIGHT DISTRIBUTIONS



Light type LED Luxeon III
Operating Voltage 700 mA



Light type LED Luxeon III
Operating Voltage 700 mA



ABL-1 and ABLTL-1 Overview

Head-Only measurements:
Overall: approx. Ø 1.14" x 3.7"
Without fastening unit: approx. Ø 1.14" x 2.79"
Connection cable: approx. 16' 5"

Gooseneck measurements:
Overall: approx. Ø 1.14" x 29.72"

Electrical information:
Operation using Waldmann operating device type A or VLM operating device
Operating voltage: 3.7V
Operating current: 700 mA
Power: approx. 2.6W
Luminous flux: 60 lm
Service life:* approx. 50,000 h
Operation using Waldmann operating device type B
Operating voltage: 3.9V
Operating current: 1000 mA
Power: approx. 4W
Luminous flux: 85 lm
Service life:** approx. 20,000 h

Additional variants:
If required, this product range will be expanded by additional variants. Therefore, differing technical data is possible. Please call **800-634-0007** for information.

* Luminous flux reduction to approx. 70%
** Luminous flux reduction to approx. 50%

Product	Description	Part Number
ABL-1 Head Only	1x2W, 6° spot, IP67	112-353-000
	Power Supply, 1x10W, 95-240V, 50/60Hz	209-585-019
ABL-1 Head Only	1x2W, 6° spot, IP67	112-353-000
	Power Supply, 24V AC/DC, 50/60Hz, 0.7 A	209-582-019
ABL-1 Head Only	1x2W, 6° spot, IP67	112-353-000
	Power Supply, 24V AC/DC, 50/60Hz, 1.0 A	209-582-029
ABL-1 Head Only	1x2W, 25° flood, IP67	112-353-001
	Power Supply, 1x10W, 95-240V, 50/60Hz	209-585-019
ABLTL-1	Gooseneck, 6° spot	112-385-000
ABLTL-1	Gooseneck, 25° flood	112-385-001
ABLTL-1	Gooseneck w/detachable head, 6° spot	112-373-000

ACCESSORIES/PART NUMBER

6° Spot 112 353 000
Operating device VLM 209 585 019
Type A 209 582 019



25° Flood 112 353 001
Operating device VLM 209 585 019
Type A 209 582 019



Operating Device for 24 V AC/DC

Operating device Type A:
Input voltage: 19.2 – 28.8V
Frequency range: 50/60Hz/DC
Operating current: 700 mA

Assembly:
Housing for mounting on top hat rail
Wiring length
Operating device – light module max. 32.8'
Max. 3 light modules connectable (in series)

More lumens with shorter lamp life
50,000 hr. lamp life

Operating device Type B:
Input voltage: 19.2 – 28.8V
Frequency range: 50/60Hz/DC
Operating current: 1000 mA

Assembly:
Housing for mounting on rail
Wiring length
Operating device – light module max. 32.8'
Max. 3 light modules connectable (in series)



Waldmann Lighting

9 West Century Drive, Wheeling, IL 60090
800.634.0007
847.520.1060 Fax: 847.520.1730
www.waldmannlighting.com
E-mail: waldmann@waldmannlighting.com

LEDs: SEE YOUR WORK IN A WHOLE NEW LIGHT



Waldmann Lighting

Powerful, maintenance-free illumination for hostile industrial environments



NEW TECHNOLOGY: NEW DIMENSION

Long-lived industrial LEDs are today's solution for precisely illuminating your industrial applications with ease. Completely sealed with a corrosion-resistant coating, LEDs are designed to out-perform all others in even the most extreme machining conditions. Minimal in size, yet maximum in output, LEDs offer 50,000 hours of maintenance-free life and produce virtually no heat.

Three versions are available including the 1.14" x 2.72" head-only ABLL-1, a strong gooseneck style for complete adjustability, and a gooseneck with detachable head for inspection of hard-to-reach areas. Whichever model you choose, each is backed by our 10-year warranty and provides IP67 waterproof protection...in even the most extreme conditions!

Features:

- Aluminum housing with a corrosion-resistant coating is ideal for water-based fluids and coolants
- Maintenance-free
- 50,000 hour life at 700 mA
- Easy assembly
- Cool-to-the-touch
- Protective ESD diode on LED circuit board eliminates static charging and polarity reversal
- Choice of two operating devices are offered from 24V low voltage AC/DC to 95-240V AC range
- Eliminates "stroboscopic effect" by running on direct current
- Rotational head pivots 40°
- Choice of a 6° spot or 25° flood beam for a variety of applications
- IP67 waterproof protected and 10-year warranted

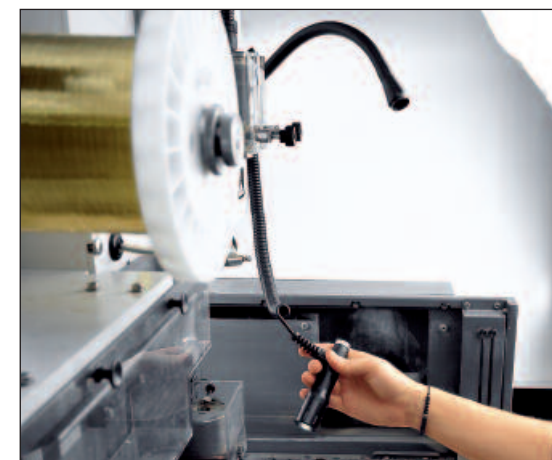


Right: Ball joint for varied configuration

Far Right: Pivots 40° with ease



LED Machine Luminaire:



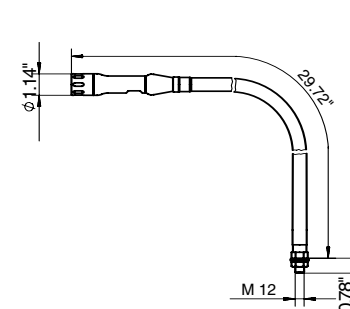
Top: The ABLL-1 mounts directly to the work area

Bottom: Gooseneck version features detachable head for inspection work

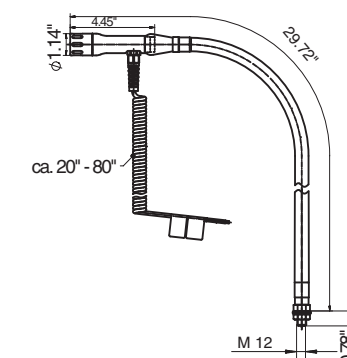


Technical Drawings:

Gooseneck Arm



Gooseneck Arm with Detachable Head



Head Only Version

