

# Medical Task Lighting • Halux and Medicool



Introducing the “cool-to-the-touch” Halux and Medicool task lighting from Derung® Medical Lighting. Choose our safe and efficient Halux Series for precisely illuminating medical examinations and procedures. Or, choose the Medicool bedside light for patient rooms where a soothing and ergonomic light is needed. The light also attaches to headwall systems and complements wall lighting by providing an adjustable reading light option.

## Halux 35 Series Features:

- The **Halux R 35/2 GX** and **FX** features two 35-watt halogen lamps, which provide switchable dual spot/flood lamp capabilities of 10 and 38 degrees for diverse application requirements.
- The economical **Halux 35** features one 35-watt, 10 degree halogen lamp with a dichroic reflector that safely minimizes heat output, and enhances performance and comfort.
- A 37-inch spring-balanced articulated arm with internal springs provides secure positioning.

## Halux 50 Series Features:

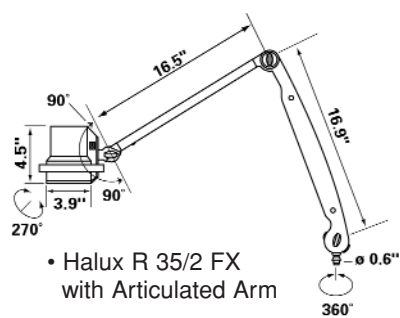
- The **Halux 50 SX** and **GX** feature a 50-watt, 10 degree halogen lamp which provides either 66% or 100% intensity, double wall construction, and heat reflectors which greatly reduce heat emission.
- The economical **Halux 50 SX** features a 50-watt, 10 degree halogen lamp.
- All Halux models include a 10-year warranty on all mechanical parts and a two-year ballast and transformer warranty.

## Medicool Features:

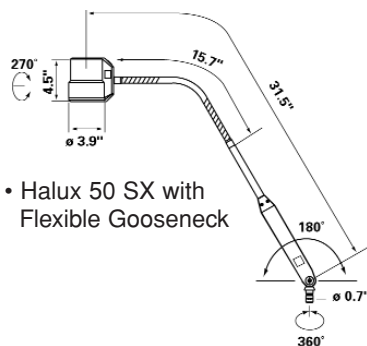
- The optimum reading and bedside light features a 40-watt incandescent lamp.
- An anti-glare diffuser provides soothing light, which is gentle to the eye.
- Includes a 10-year warranty on all mechanical parts and a two-year ballast and transformer warranty.

# Product Specifications • Halux Series and Medicool

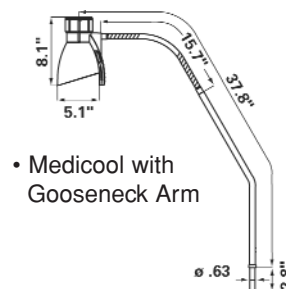
## Dimensions:



• Halux R 35/2 FX with Articulated Arm



• Halux 50 SX with Flexible Gooseneck

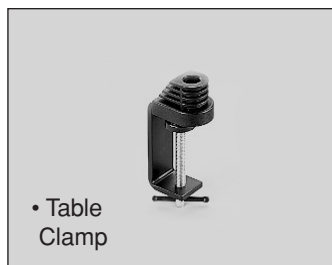


• Medicool with Gooseneck Arm

## Mounting Options:



• Rail Clamp



• Table Clamp



• Extension Arm

• Wall Bracket, not shown. Please call 800-634-0007 for information.



• Portable Stand

## Halux and Medicool Ordering Information:

Halux 35 and 50 Models	Product Specifications	Order #
Halux 50 GX*	120V, 16mm, Articulated Arm, with Hi-Lo Switch	D13-105-000
Halux 50 SX*	120V, 16mm, Gooseneck, with Hi-Lo Switch	D13-106-000
Halux 50 FX*	120V, 16mm, Articulated Arm	D13-657-000
Halux 35 FX*	120V, 16mm, Articulated Arm	D13-657-010
Halux R 35/2 GX*	120V, 16mm Spot/Flood light with Hi-Lo Switch	D13-108-000
Halux R 35/2 FX*	120V, 16mm, Spot/Flood light	D13-123-000
<b>Medicool Models:</b>		
Medicool S3*	40W, 120V, Gooseneck	D13-116-000

• Note: The Medicool may also be modified to accommodate a variety of workplace requirements. A twin vertical arm and 3-arm style are also available. For additional information please call: 800-634-0007.

**Mounting Options:**

Table Clamp	16mm, 0-2.75" (10-70mm)	200-498-039
Wall Bracket	2.4" x 2.8" x 3.8" (60 x 70 x 95mm)	308-218-109
Rail Clamp	16mm, 1.14" x 3.4" (25-35 x 8-10mm)	D13-409-000
Extension Arm	1.57" (400mm)	D13-363-000
Portable Stand	16mm, 25" x 38" (635-965mm)	US1-043-029

\* Arm Style Technical Descriptions:  
**GX**=Articulated Arm with Transformer Housing; **S3**=Gooseneck Arm with Plug-in Transformer; **SX**=Gooseneck Arm with Transformer Housing; **FX**=Spring-Balanced Twin Vertical Arm with Transformer Housing.



9 W. Century Drive, Wheeling, IL 60090  
**800.634.0007**  
 www.waldmannlighting.com  
 Phone 847.520.1060 • Fax 847.520.1730  
 Email: waldmann@waldmannlighting.com

For pricing or additional technical information, please call 800-634-0007 or visit our web site at: www.waldmannlighting.com