

EURO-SELECT SERIES

**Geneva: Critical task lighting  
for communications centers.**



**Waldmann** Lighting



## Optimum Task Lighting for



- ▲ The Soft Lighting Option is specially designed with a black parabolic louver to soften light contrast in a darkened room.



## 9-1-1 Dispatch Consoles, Call Centers, and Market Trading Desks.

### **24** **7** Adjustable, Glare-free Task Lighting 24 Hours-a-day, 7 Days-a-week.

Whatever type of communication center you are lighting, the Geneva offers complete adjustability for virtually any VDT application. The fully adjustable arms are easily positioned to adapt to individual operator needs which is often necessary when shift work is being performed. When reading VDT screen information is critical for performance, choose the Geneva.

### **Eliminate Workstation Glare.**

The Geneva features an aluminized parabolic louver, built into the head, which provides glare-free illumination to the document area and eliminates eye-strain and fatigue. This is especially important for communication centers because of the intense nature of work being performed. Light intensity shifts (transient adaptation) which causes constant eye

adjustment to different lighting levels is minimized. Efficiency is improved, errors are reduced!

### **Convenient 3-Position Switch.**

The 3-position switch allows you to choose between different lighting levels for a variety of tasks. The 2x9 model allows you to use 9- or 18-watts of compact fluorescent light. With the 2x13 model, you may use 13- or 26-watts of compact fluorescent light. The high efficiency lamps are cool to the touch and offer a 10,000 hour lamp life and 1200 lumens which is equivalent to at least a 100-watt incandescent bulb. If you like an output color closer to incandescent, choose 3500K lamps. For a more conventional office lighting color choose 4100K lamps.

### **Soft Lighting Option.**

This model is specially designed with a black parabolic louver (5/8" grid) combined with 3500K color temperature lamps to soften light contrast in a darkened room.

Geneva is available in Black and Light Grey with a single or twin vertical articulated arm which attaches by table base, clamp, bracket, or grommet. A twin horizontal arm is available for mounting to Communication Center Furniture Systems.

For over 50 years, Waldmann Lighting has been internationally recognized as a leading manufacturer of durable, quality task lighting for virtually every type of business and industry around the world.

When you're searching for task lighting, make the perfect choice. **Geneva by Waldmann.** Engineered for the 21st Century.

Maximize your lighting experience by adding Waldmann Indirect Lighting (Twin-C). Call us for more information, or visit our Web site today to view our complete line at: [www.waldmannlighting.com](http://www.waldmannlighting.com)



▲ "Indirect" Uplighter providing ambient illumination is shown with the "Direct" Montreaux adjustable task light.

▼ The Geneva with adjustable twin vertical arm is installed in the command center.



## Task Lighting Guidelines.

The Illuminating Engineering Society of North America (IESNA) recommends considering these factors when determining the amount of light necessary for performing office tasks:

- Worker's age.
- Type of activity performed.
- Characteristics of the visual task.
- Critical requirements for speed & accuracy.
- Background reflectance.

An average of 18 to 46 footcandles of light should be used to illuminate a VDT office.

## Bright, agreeable light for hours of comfortable, productive performance.

Waldmann task lights are carefully engineered to meet the requirements of an ergonomically-sound workplace. Criteria set by the U.S. Government and used in developing the Geneva and other Waldmann lights include:

- Ample illumination for work being performed at all areas of the workstation.
- Even illumination over an adequate range.
- Little or no spill light onto the VDT screen.
- Fluorescent light source to minimize heat.
- Non-reflective surface finish on lights.
- Capability to maneuver the light in multiple directions, both vertically and horizontally.

## Ample illumination for every task.

The Geneva provides the user with greater control over lighting in his or her environment by enabling both the light power level and light direction to be adjusted to the task. A unique parabolic (5/8" directional grid) louver, built into an impact-resistant ABS head that swivels 120° and tilts 180°, allows the light to be adjusted in virtually any position without causing glare.

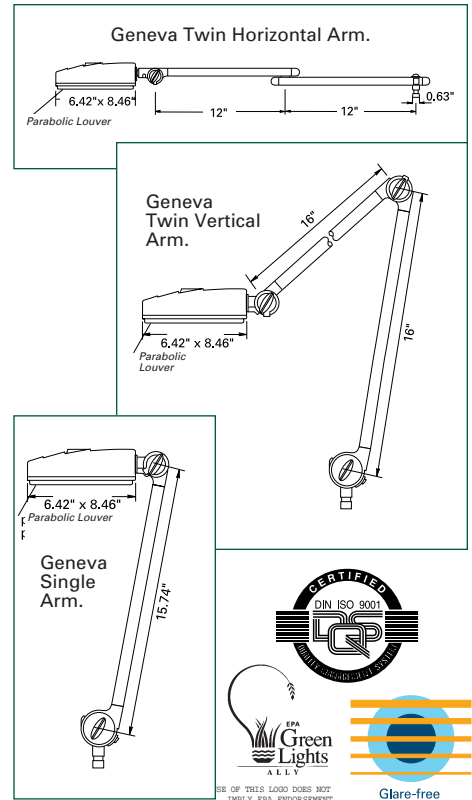
## Precise positioning.

Geneva's fully articulated, spring-balanced arm with concealed springs comes in three arm styles: single vertical, twin vertical, and twin horizontal for infinite light adjustment. The single arm works well in small work spaces, while the larger twin arm is best in an environment that requires a broad reach of light.



## Two efficient lamp options.

Compact fluorescent lamps use a fraction of the energy and operate far cooler than incandescent bulbs. The 2/9-watt version delivers 1,200 lumens (equivalent to a 100-watt incandescent bulb); and the 2/13-watt delivers 1,600 lumens (equivalent to a 120-watt incandescent bulb). Either provides 10,000 hours of lamp life, an 82 CRI, and standard 4100K color temperature. For other color temperatures, see "Lamp Options" under Ordering Information below.

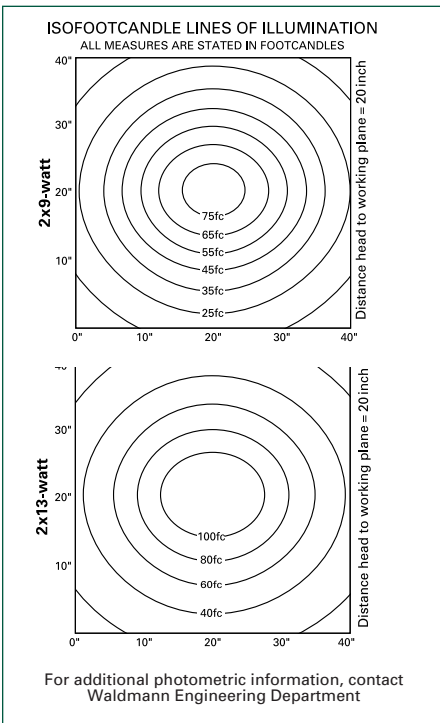


## Geneva Features:

- Specular silver finish, built-in parabolic louver (5/8" grid) for glare and reflection reduction.
- Impact resistant ABS head with 120° swivel and 180° tilt for maximum light control and positioning.
- A built-in aluminum reflector improves the quality of light and efficiency.
- Fully articulated single or twin balanced arms with concealed springs for exact positioning.
- The 2/9-watt version delivers 1,200 lumens; and the 2/13-watt delivers 1,600 lumens.

Both provide 10,000 hours of lamp life, an 82 CRI, and standard 4100K color temperature.

- 9 ft. polarized cord set with a quick release in-line ballast.
- Choose a standard table clamp, wall bracket, grommet, or panel bracket that fits over 60 different furniture systems with each light. Optional weighted table bases are available.
- Soft Lighting Option has a black parabolic louver and 3500K color temperature lamps.
- Available in Black or Light Grey.



## Geneva Ordering Information:

|   |             |
|---|-------------|
| Single Arm-2x9 watts Black                | 118-150-001 |
| Single Arm-2x9 watts Light Grey           | 118-150-006 |
| Single Arm-2x13 watts Black               | 118-160-001 |
| Single Arm-2x13 watts Light Grey          | 118-160-006 |
| Twin Vertical Arm-2x9 watts Black         | 118-050-001 |
| Twin Vertical Arm-2x9 watts Light Grey    | 118-050-006 |
| Twin Vertical Arm-2x13 watts Black        | 118-060-001 |
| Twin Vertical Arm-2x13 watts Light Grey   | 118-060-006 |
| Twin Horizontal Arm-2x9 watts Black       | 128-020-001 |
| Twin Horizontal Arm-2x9 watts Light Grey  | 128-020-006 |
| Twin Horizontal Arm-2x13 watts Black      | 128-030-001 |
| Twin Horizontal Arm-2x13 watts Light Grey | 128-030-006 |

Soft Lighting Option with Black  
Parabolic Louver ~ Specify "Soft Lighting" w/Part # above.

## Mounting Bases. (See photo above.)

|                                    |                                 |
|------------------------------------|---------------------------------|
| Table Clamp                        | 200-498-039                     |
| Table Clamp (for rounded surfaces) | 191-017-029                     |
| Wall Bracket                       | 308-218-019                     |
| Grommet (not shown)                | 203-332-019                     |
| Panel Bracket                      | Please Specify Furniture System |
| Designer Table Base                | 190-112-019                     |
| Rectangular Table Base             | 190-037-019                     |
| Single Arm Table Base              | 190-101-019                     |

## Lamp Options.

|                           |             |
|---------------------------|-------------|
| 9-watt, 2700K             | 450-009-110 |
| 9-watt, 3500K             | 950-900-003 |
| 9-watt, 4100K (Standard)  | 450-009-120 |
| 9-watt, 5000K             | 950-900-038 |
| 13-watt, 2700K            | 450-013-110 |
| 13-watt, 3500K            | 950-900-037 |
| 13-watt, 4100K (Standard) | 450-013-120 |
| 13-watt, 5000K            | 950-900-039 |



# Waldmann Lighting

9 W. Century Dr., Wheeling, IL 60090 • 800.634.0007 • 847.520.1060 • Fax: 847.520.1730  
www.waldmannlighting.com • E-mail: waldmann@waldmannlighting.com