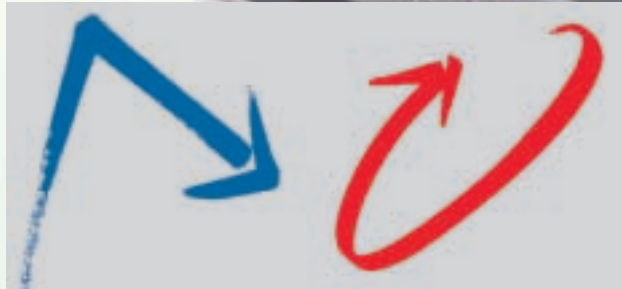


# Derungs Medical Magnification Lighting



*In the right light.*

 **Derungs<sup>®</sup>**  
Medical Lighting

A Division of Waldmann Lighting

## Get the Synergy of Derungs and Waldmann

Two companies – 120 years experience. With Derungs' stellar market position as a top manufacturer of medical lighting, and Waldmann's unsurpassed leadership in providing superior task lighting solutions to virtually every type of workplace – the performance rightfully expected and demanded by medical providers is delivered. A complete line of top quality medical lighting – backed by our industry-best 10-year warranty – is born.

Engineered for medical applications, our magnification lighting line offers revolutionary ergonomic features such as our patented joint and arm designs that guarantee precise, fully-adjustable positioning – and enduring stability. Our long life, energy-efficient lamps ensure excellent color rendition and even, glare-free illumination that operates cool and minimizes eye fatigue. And if you require an extended reach of nearly four feet or want optional Add-X lenses to increase magnification, Derungs and Waldmann have the best medical lighting instrument for the job.



*In the right light.*

 **Derungs**<sup>®</sup>  
Medical Lighting

A Division of Waldmann Lighting

# Derungs Medical Magnification Lighting – Up Close and Personal



The Omnivue conveniently clamps to a laboratory workbench.

## The Omnivue – Perfectly Fit for Varying Light Levels

The Omnivue line of magnifiers offers two illumination levels to shed light on virtually any inspection application. Three 9-watt compact fluorescent lamps provide 1200 lumens of side-to-side lighting or 1800 lumens of light from the top and both sides of the magnifier, making the Omnivue ideal for situations where illumination levels vary. The Omnivue line also makes it easy to direct the light with the standard 35" reach offered by the Omnivue or the extended 43" reach that you get with the OmnivueMax. Both the Omnivue and OmnivueMax have an ergonomic head and ball joint design that allows users to position the light exactly where it's needed and keep it there. The 3-diopter large stadium shaped lens provides precise positioning and eliminates unnecessary bending. And the three 9-watt compact fluorescent lamps are cool to the touch and cause less eye fatigue. An industrial-grade clamp and a lens cover which protects against dust and scratches are included with this magnifier and all of our other magnifiers featured in this brochure.



OmnivueMax with  
43" extended arm.



The Omnivue shown on a  
portable stand mounting option.



The RLLE with internal ballast and springs.

### Ring the Doctor – the RLLE-122 is Here

The RLLE-122 Ring Magnifier with a 4 or 5 diopter lens offers ideal traditional magnification. The permanent optical quality glass lens also accommodates a 12d bonded inset bubble on the 4d lens. Or, for stronger magnification, a 4d Add-X lens can be ordered for either 4 or 5 diopter model. But the RLLE-122 not only has powerful magnification, it also offers a standard 37" reach for traditional inspection applications or a phenomenal 43.5" reach on our RLLE Max! An electronic ballast built into the arm provides flicker-free, energy efficient illumination. The 22-watt circline lamp on both models provides even light distribution to the work surface and 12,000 hours of lamp life. A spring-loaded arm (with internal springs) contributes to the adjustability of the light.



RLLE Max with 43.5" arm.



The SNE illuminates a medical lab environment.

### The SNE-136 – Shed Light on the Diagnosis

The SNE-136 light features a 36-watt, 4100K compact fluorescent lamp which offers maximum light output and bright, even illumination. Ideal for applications requiring a higher level of light, the SNE-136 utilizes a parabolic louver system to deliver glare-free illumination and precise light direction. An electronic ballast built into the arm provides additional energy efficiency and flicker-free operation. Ergonomic arm and joint design, complete with a flexible spring-loaded base, adds to the adjustability of the light. This light can be converted to provide magnification by adding a 3d (1.75X) clip-on magnifier. Add-X lenses, which increase magnification, are also available.



Optional clip-on 3d magnifier lens.

## Mounting Options and Accessories



**Portable Stand:** So portable, you'd think it could make its own house calls. Roll it bedside for direct light – roll it away to save space.



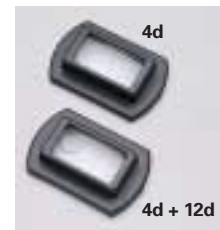
**Pin Mount Table Base:** Accommodates lights for steady tabletop use.



**1/2" Base Mount Adapter and 1/2" Pin Mount Adapter:** When a pre-sized receptacle is available, use one of these mounts.



**Replacement Lamps:** The source of quality illumination within the medical community.



**Add-X Lenses:** Add these lenses for additional magnification with the Omnivue and SNE.



**Add-X Lens for RLLE:** Add this lens for additional magnification.



The portable DL-122, ideal for detailed skin diagnosis.

**The DL-122 –  
For Dermatological Applications, it  
Shows its True Colors**

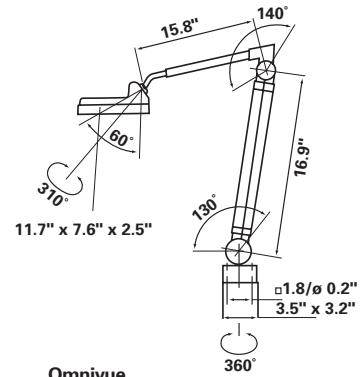
Developed especially for the dermatologist, the DL-122 is a handy ring-shaped magnifying lamp that facilitates visual assessment during diagnosis. The built-in 22-watt Vitalite ring lamp brightly and uniformly illuminates the examined area, thus enabling easy diagnosis of normal or diseased skin. Its color reproduction capabilities are outstanding. The DL-122 includes the 5300K Vitalite lamp which corresponds to the spectrum of natural, average daylight. The advantage is the dermatologist has a light source which ensures constancy of intensity and color temperature, with accurate color rendition.

**The EMX-1 Microscope –  
From 3.5X to 30X, Your Tool for  
Enhanced Examination**

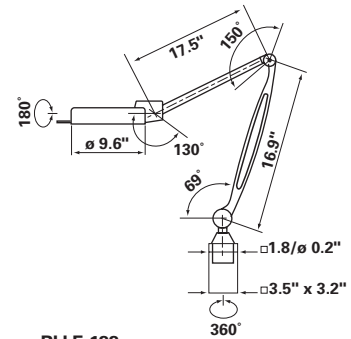
For applications where more power is required than that which traditional magnification lenses offer, the EMX-1 Microscope offers a long working distance of 8.5" (or 12" with optional lens) and a large field-of-view – 1.8" at 5X or 2.67" with optional 0.7X supplemental lens. Fully-adjustable illumination helps minimize fatigue, and magnification range can be configured from 3.5X to 30X. The EMX-1 delivers high resolution images and excellent stereoscopic effect. Standard with a high quality spring-loaded arm and halogen lights; the EMX-1 is also available with a fluorescent ring light for applications where higher levels of illumination are required. The EMX-1 Microscope has a 2-axis head joint for effective positioning. The Waldmann Scope Arm offers adjustability and rigidity as needed; it is ideal for retrofitting your existing boom stand microscopes. Both the EMX-1 Microscope and Scope Arm have standard 10-year warranties.



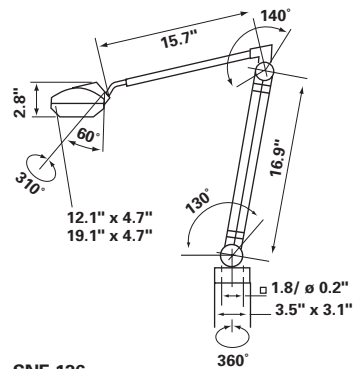
Waldmann scope shown with fluorescent ring lamp.



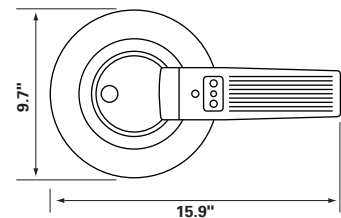
**Omnivue**  
Standard version top arm is 15.8"  
Max version top arm is 21.5"



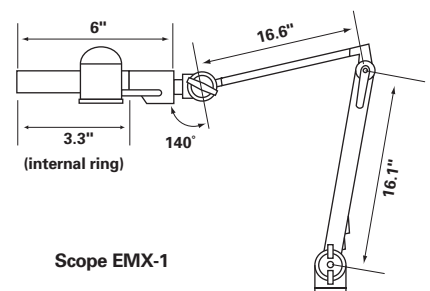
**RLLE-122**  
Standard version top arm is 17.5"  
Max version top arm is 24"



**SNE-136**  
Standard version top arm is 15.7"  
Max version top arm is 21.5"



**DL-122**



**Scope EMX-1**

## Ordering Information

Name	Specifications	Order No.
Omnivue	with 35" reach	118-790-000
OmnivueMax	with 43" reach	047-803-000
RLLE-122	4d, with 37" reach	138-442-000
RLLE-122	4d + 12d, with 37" reach	138-442-001
RLLE-122	5d, with 37" reach	138-442-010
RLLE-122 Max	4d, with 43.5" reach	138-442-005
RLLE-122 Max	4d + 12d, with 43.5" reach	138-442-009
SNE-136	with 35" reach	108-080-000
SNE-136 Max	with 43" reach	108-080-001
DL-122	with Vitalite ring lamp	108-610-000
EMX-1 Microscope	with halogen lamps	US1-050-000
EMX-1 Microscope	with fluorescent lamp	US1-060-000
Waldmann Scope Arm Assembly	with halogen lamps	US2-003-019
Waldmann Scope Arm Assembly	with fluorescent lamp	US2-004-019
<b>Replacement Lamps:</b>		
Omnivue and OmnivueMax	fluorescent, PL-9, 4100K	450-009-120
RLLE-122 and RLLE-122 Max	fluorescent, FC8T9, 22W, 4100K	450-022-010
SNE-136 and SNE-136 Max	fluorescent, PL-36, 4100K	450-036-010
DL-122 and RLLE-122	Vitalite ring lamp, 22W, 5300K	450-022-110



## Accessories

Type	Fits these Models	Order No.
Add-X Lens, 4d (2X)	Omnivue, OmnivueMax, SNE-136, SNE-136 Max	190-080-019
Add-X Lens, 4d (2X)	RLLE-122, RLLE-122 Max	190-054-019
Add-X Lens, 4d + 12d (2X + 4X)	Omnivue, OmnivueMax, SNE-136, SNE-136 Max	190-080-029
Clip-on Magnifier, 3d (1.75X)	SNE-136, SNE-136 Max	190-118-019
Eyepieces, pair (10X)	Microscope	USO-225-013
Eyepieces, pair (12.5X)	Microscope	USO-225-023
Eyepieces, pair (15X)	Microscope	USO-225-033
Eyepieces, pair (20X)	Microscope	USO-225-043
Eyepieces, pair (30X)	Microscope	USO-225-053

## Mounting Options

Type	Fits these Models	Order No.
Portable Stand 30 x 30 x 38" (762 x 762 x 965 mm)	Omnivue, SNE-136, RLLE-122, Microscope	US1-042-019
Clamp, 0-2.5" (10-60 mm)	Omnivue, OmnivueMax, SNE-136, SNE-136 Max, RLLE-122, RLLE-122 Max	Included
Clamp, 0-2.5" (10-60 mm)	Microscope	Included
Clamp, 2.5-5.4" (60-137 mm)	Omnivue, OmnivueMax, SNE-136, SNE-136 Max, RLLE-122, RLLE-122 Max	Included
Clamp, 2.5-5.4" (60-137 mm)	Microscope	Included
Clamp, 4-6.5" (100-165 mm)	Omnivue, OmnivueMax, SNE-136, SNE-136 Max, RLLE-122, RLLE-122 Max	Included
Clamp, 4-6.5" (100-165 mm)	Microscope	Included
Pin Mount Table Base 12 x 9.5 x 1.5" (305 x 241 x 38 mm)	Omnivue, OmnivueMax, SNE-136, SNE-136 Max, RLLE-122, RLLE-122 Max	190-112-069
1/2" Base Mount Adapter	Microscope	SK2-693-018
1/2" Pin Mount Adapter	Omnivue, OmnivueMax, SNE-136, SNE-136 Max, RLLE-122, RLLE-122 Max	USO-209-012
1/2" Pin Mount Adapter	Microscope	203-332-019

Derungs will see you now...for your local Derungs/Waldmann distributor, call **800.634.0007**, or visit us on Waldmann's Web site at [www.waldmannlighting.com](http://www.waldmannlighting.com).

