



Derungs Examination and Procedure Task Lighting



In the right light.

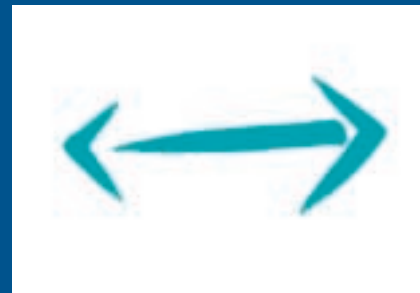
 **Derungs**[®]
Medical Lighting

A Division of Waldmann Lighting

A Whole New Waldmann Light

Two companies – 120 years experience. With Derungs' stellar market position as a top manufacturer of medical lighting, and Waldmann's unsurpassed leadership in providing superior task lighting solutions to virtually every type of workplace – the performance rightfully expected and demanded by medical providers is delivered. A complete line of top quality medical lighting – backed by our industry-best 10-year warranty – is born.

A primary concern of the designers at Derungs is that our examination and procedure task lighting provide safe illumination, and perform trouble-free in clinical settings. Durability must accompany sound ergonomics, convenient mounting, and easy handling. No-glare design and double-wall, dual reflector cooling systems on many of our lights ensure a comfortable true-light environment.



In the right light.

 **Derungs**[®]
Medical Lighting

A Division of Waldmann Lighting

Derungs Medical Task Lighting – Designed to Perform



"All-in-one" dual spot and flood lamps.

The Halux R 35/2 FX shown on extension arm mount.

Halux R 35/2 FX Dual Spot & Flood Task Light – Excellent Bedside Manner

The Halux R 35/2 FX utilizes two 35-watt halogen lamps, and features switchable spot/flood capabilities for procedures that are carried out bedside in exam rooms and dental labs. A spring balanced articulated arm provides easy handling of the light head, which remains in place during use and stays put when moved out of the way. The arm offers a long reach of 37". A universal mount may be added to anchor the Halux R 35/2 FX to any table or wall surface for optimal convenience.

Halux 50 SX with Flexible Arm – Examine the Best Halogen Light for Your Medical Procedures

The Halux 50 SX delivers reliable performance and is Derungs' solution for efficient, flexible lighting across a broad spectrum of examination and other medical procedure applications. The Halux 50 SX utilizes a 10" halogen lamp with a dichroic reflector that can be easily replaced. Doctors appreciate the two-step switch for adjusting the light to 66 or 100% intensity, and the double-wall construction – with two heat reflectors – which reduce heat emission. The gooseneck arm of the Halux 50 SX allows for extremely specific positioning of the light head, and its fluid movement capability and rigidity work together to ensure "stay-put" security during delicate examinations and medical procedures. Atop the portable stand, the Halux 50 SX can be moved to provide lighting almost anywhere. Also available is the Halux 50 GX – an articulated arm version of the Halux 50 SX. Benefit from the positive effects of natural light by installing a color correction filter on either model.



Color correction filters provide 4000K for enhanced performance.

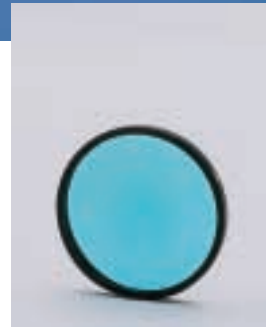
The Halux 50 SX shown with adjustable portable stand.



The Halux ExLite 1050 DM attaches easily to our ceiling mount option.

Halux ExLite 1050 DM with Dimmer – Ceiling Lighting for Virtually Any Procedure

The single 50-watt lamp in the Halux ExLite 1050 DM is adjustable from 20 to 100% brightness to provide maximum light efficiency – making it a versatile and convenient light for most medical procedure and exam settings. The Halux ExLite 1050 DM features an articulated arm that provides steady placement with a 39" reach. When ceiling mounted on a 19.7" pole, the Halux ExLite 1050 DM provides out-of-the-way positioning above exam areas. An on/off switch on the light head has been ergonomically engineered to perform as a brightness selector as well. At either 20 or 100% brightness settings, a color correction filter helps create a true-light environment.



Color correction filters provide a crisp light for detailed diagnosis.



The ceiling mounted Halux 50 DM is available in several arm styles and mounting options.

Halux 50 DM – Ceiling Mounted for Convenience and Optimum Positioning

From the 19.7" ceiling mount, the Halux 50 DM also casts 50 watts of lighting power over exam and procedure locations. The 39" reach of the articulated arm allows for precise positioning of the 10" spot directly on the work area, and the lamp can operate at 66 or 100%, selectable by a two-step switch. As with all Derungs medical task lights, safety and comfort are key benefits of the Halux 50 DM and ExLite 1050 DM – ensured by sturdy construction and effective heat shielding. Attach a color correction filter to simulate natural daylight.

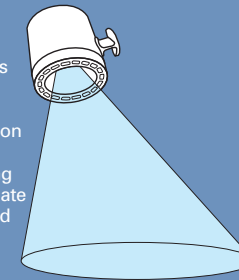


4000K color correction filters provide natural daylight.

Derungs' Versatility – a Broad Spectrum of Options

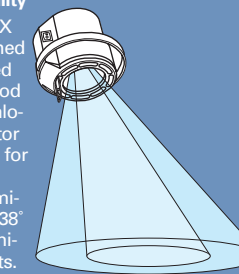
Bright Lights, Low Heat

The Halux 50 series of lights feature double-wall, dual reflector construction for efficient heat dissipation, creating a comfortable climate for both patient and physician.



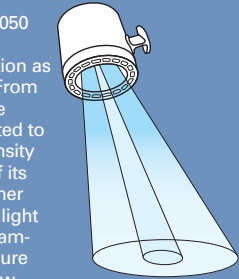
Spot/Flood Capability

The Halux R 35/2 FX lamp can be switched from a concentrated spot to diffused flood lighting. The 10" halogen dichroic reflector is easily adjustable for focusing on either large or small examination points. The 38" is for broader examination requirements.



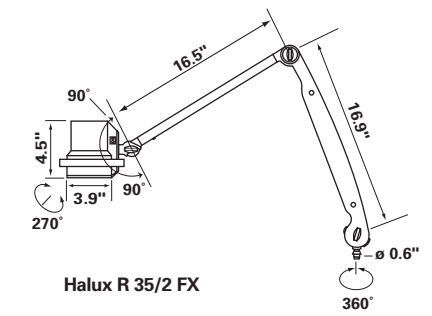
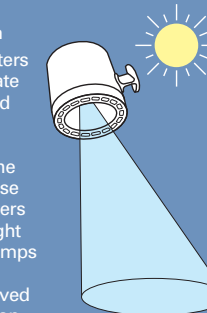
Dimmer Switch

The Halux ExLite 1050 DM's on/off switch serves a dual function as a dimmer switch. From the off position, the lamp can be adjusted to generate light intensity from 20 to 100% of its capacity. The dimmer feature makes this light perfect for both examination and procedure use, as well as a low-illumination reading light – when mounted bedside – for patient use.

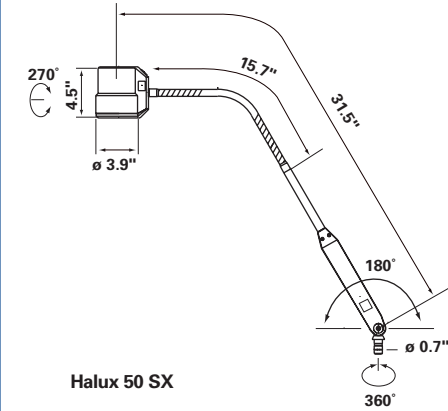


A Brilliant Solution

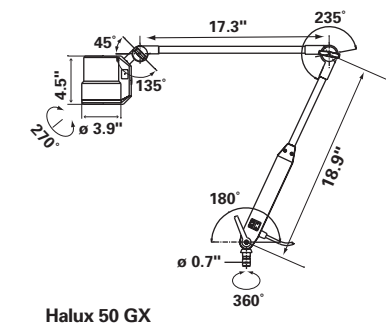
Color correction filters are used to eliminate UV rays and the red light that is often prevalent in 3000K lamps. At 4000K, the light is crisper. These color correction filters turn the artificial light produced by the lamps into natural "day" light. Usually reserved for only the most top quality operating room lamps, Derungs offers this 4000K technology on its Halux model lights.



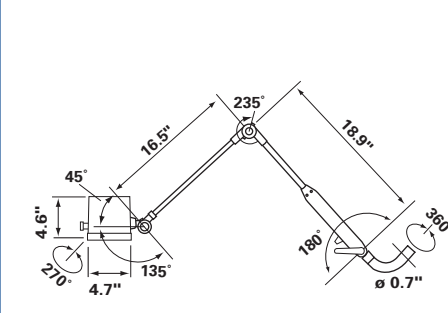
Halux R 35/2 FX



Halux 50 SX



Halux 50 GX



Halux ExLite 1050 DM

Mounting Options and Accessories



Portable Stand: So portable, you'd think it could make its own house calls. Roll it bedside for direct light – roll it away to save space.



Universal Mount: Any light, anywhere you need it.



Table Clamp: Standard clamp for anchoring your light to virtually any table.



Rail Clamp: Keep your light close using the rail clamp for bedside installation – aluminum profiles.



Wall Bracket: For stationary installations.



Pin Mount Table Base: Accommodates lights for steady tabletop use.



Ceiling Mount: Never in the way, always at hand.



Extension Arm: Add 15.75" (400 mm) of reach to most light installations.



Halogen Lamps: The source of quality illumination within the medical industry.

Ordering Information

Name	Specifications	Order No.
Halux R 35/2 FX, 16 mm	2 x 35 watt, spot/flood	D13-123-000
Halux 50 SX, 18 mm	50 watts, 4800 footcandles at 0.5 m	D13-106-000
Halux 50 GX, 18 mm	50 watts, 4800 footcandles at 0.5 m	D13-105-000
Halux ExLite 1050 DM	50 watts, 4800 footcandles at 0.5 m	D13-167-000
Halux 50 DM, ceiling mount	50 watts, 4800 footcandles at 0.5 m	D13-107-000
Replacement Lamps		
Halux R 35/2 FX	Halogen lamp, (10') 35-watt, 3200K	D68-747-000
Halux R 35/2 FX	Halogen lamp, (38') 35-watt, 3200K	D68-748-000
Halux 50 SX, Halux 50 GX, Halux ExLite 1050 DM, Halux 50 DM	Halogen lamp, (10') 50-watt, 3200K	D68-727-000

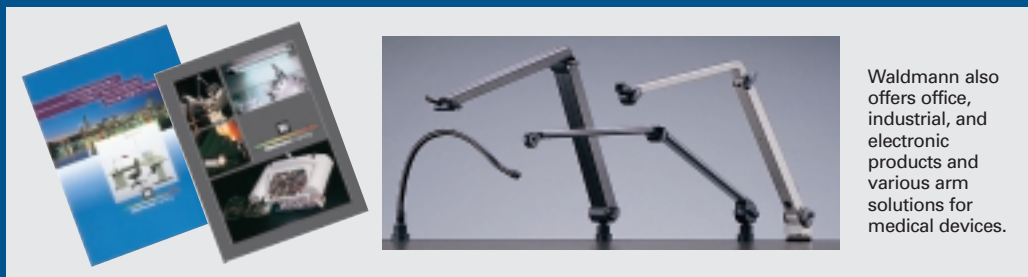
For additional Halux models, please see the Derungs/Waldmann comprehensive price list, or call 800.634.0007.

Mounting Options

Type		Fits these Models	Order No.
Portable Stand with Extension Pole:	31.5-55" (800-1400 mm)	Halux R 35/2 FX, Halux 50 SX, Halux 50 GX	D12-678-000
Universal Mount:	2 x 2 x 2" (60 x 60 x 60 mm)	Halux R 35/2 FX, Halux 50 SX, Halux 50 GX	D10-649-000
Table Clamp, 16 mm:	0-2.75" (10-70 mm)	Halux R 35/2 FX	200-498-069
Table Clamp, 18 mm:	0-2.75" (10-70 mm)	Halux 50 SX, Halux 50 GX	200-498-M69
Rail Clamp, 16 mm:	1-1.4 x .3-.4" (25-35 x 8-10 mm)	Halux R 35/2 FX	D13-269-000
Rail Clamp, 18 mm:	1-1.4 x .3-.4" (25-35 x 8-10 mm)	Halux 50 SX, Halux 50 GX	D10-671-000
Wall Bracket:	4.3 x 1.5 x 2.1" (110 x 40 x 54 mm)	Halux R 35/2 FX, Halux 50 SX, Halux 50 GX	D10-689-000
Pin Mount Table Base:	12 x 9.5 x 1.5" (305 x 241 x 38 mm)	Halux R 35/2 FX	190-112-069
Ceiling Mount:	19.7" (500 mm)	Halux ExLite 1050 DM, Halux 50 DM	D13-308-000
Extension Arm:	15.7" (400 mm)	Halux R 35/2 FX, Halux 50 SX, Halux 50 GX	D12-760-000

Accessories

Color Correction Filter, 50 W (Halux 50 SX, Halux 50 GX, Halux 50 DM)	D46-674-000
Color Correction Filter, 50 W (Halux ExLite 1050 DM)	D10-266-000
Color Correction Filter, 20 W (Halux MT 6007)	D65-352-000



Waldmann also offers office, industrial, and electronic products and various arm solutions for medical devices.

Derungs will see you now... for your local Derungs/Waldmann distributor, call 800.634.0007, or visit us on Waldmann's Web site at www.waldmannlighting.com.



9 West Century Drive • Wheeling, IL 60090 • 847.520.1060 • Fax: 847.520.1730 • E-mail: waldmann@waldmannlighting.com