

Ordering Information

Model	Specifications	Color Temp	Order No
SNE-136	with 35" reach	5400K	108-080-003
Omnivue	3d lens with 35" reach	5000K	118-790-000
OmnivueMax	3d lens with 43" reach	5000K	047-803-000
RLLE-122	4d lens with 37" reach	4100K	138-442-000
RLLE-122	4d + 12d lens with 37" reach	4100K	138-442-001
RLLE-122	5d lens with 37" reach	4100K	138-442-010
RLLE-122 Max	4d lens with 43.5" reach	4100K	138-442-005
RLLE-122 Max	4d + 12d lens with 43.5" reach	4100K	138-442-009
STE-155	with 36" reach	5400K	138-445-000
WD-213	with 34" reach	4100K	108-400-000

Accessories

Type	Fits these Models	Order No
Clip-on magnifier, 3d (1.75X)	SNE-136	190-118-019
Add-X Lens, 4d (2X)	SNE-136, Omnivue, OmnivueMax	190-080-019
Add-X Lens, 4d + 12d (2X + 4X)	SNE-136, Omnivue, OmnivueMax	190-080-029
Add-X Lens, 4d (2X)	RLLE-122, RLLE-122 Max	190-054-019

Mounting Options

Type	Fits these Models	Order No
Pin Mount Table Base, white:	12 x 9.5 x 1.5" (305 x 241 x 38 mm)	SNE-136, Omnivue, RLLE-122 190-112-069
Portable Stand, on casters:	30 x 30 x 38" (762 x 762 x 965 mm)	SNE-136, Omnivue, RLLE-122, STE-155 US1-042-019
Wall Bracket, white:	2.4 x 2.8 x 3.8" (60 x 70 x 95 mm)	SNE-136, Omnivue, OmnivueMax, RLLE-122, RLLE-122 Max, STE-155 308-218-119
1/2" Pin Mount Adapter:		SNE-136, Omnivue, OmnivueMax, RLLE-122, RLLE-122 Max, STE-155 US0-209-022
Clamp:	0-2.5" (0-60 mm)	WD-213 190-007-019

Mounting clamp is included with all task light models excluding WD-213.

Weighted table base option is ideal for mounting situations where there is frequent repositioning of the mount on lab surfaces.

Lamp Type and Data Specifications

Lamp Type	Order No	For Model	Color Temp	Lamp Life	Lumens	CRI
PL-L 36W	450-036-010	SNE-136	4100K (cool white)	12000 hrs.	2900	82
PL-L 36W	450-036-190	SNE-136	5400K (daylight range)	10000 hrs.	1900	>=90
PL-L 55W	450-055-032	STE-155	5400K (daylight range)	10000 hrs.	3000	>=90
PL-S 9W	950-900-038	Omnivue	5000K (daylight range)	10000 hrs.	570	82
FC8T9	450-022-010	RLLE-122	4100K (cool white)	12000 hrs.	1050	62
PL-S 13W	450-013-120	WD-213	4100K (cool white)	10000 hrs.	825	82
PL-S 13W	950-900-039	WD-213	5000K (daylight range)	10000 hrs.	800	82

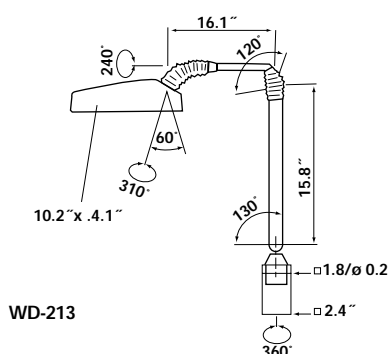
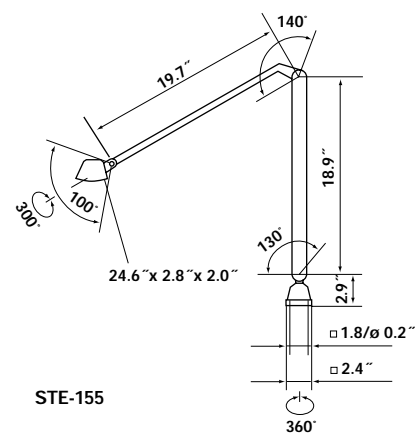
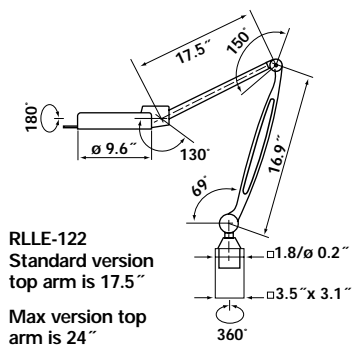
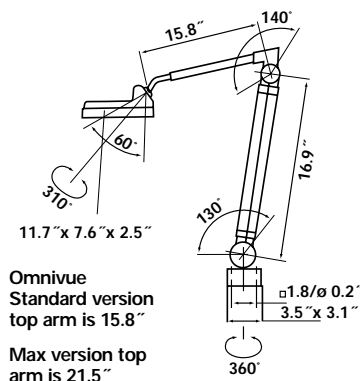
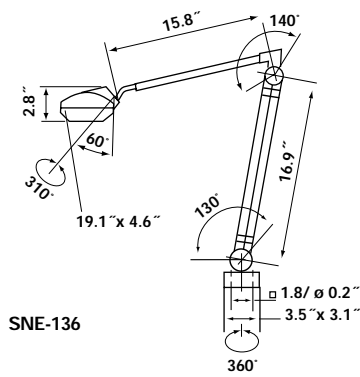
W

Waldmann Lighting

9 West Century Drive, Wheeling, IL 60090
 Tel: 800.634.0007 • 847.520.1060 • FAX: 847.520.1730
 Visit our Web site at: www.waldmannlighting.com
 E-mail: waldmann@waldmannlighting.com
 Dedicated arm Web site: www.waldmannarms.com



Through Waldmann's Derungs® Division, we offer a complete line of medical lighting for mannequin inspection at dental schools or for applications requiring high intensity spot lights.



MULTI-PURPOSE LIGHTING for Dental Laboratories



W

Waldmann Lighting

The Most Versatile Dental Lab Lighting Available

Complete with color-corrected lamps, this adaptable and durable lighting line provides the precise, glare-free illumination required for high detail dental lab procedures. Featuring cool compact fluorescents with up to 5400K, these lights are ideal for intricate implant work, die trimming, inspection of castings, shade matching of ceramic restorations and custom staining/glazing of porcelain units.

Our full line of 10-year warranted dental lab lighting accommodates most any size workstation and configuration. With so many models to choose from, we're sure to have the one that matches the tasks and color correcting capabilities needed in your dental lab. Contact Waldmann Lighting today – 800.634.0007.



RLE-122 Ring Magnifier
(Order #138-442-000 – 4d model with 37" reach arm)
For traditional dental inspection including viewing castings, implants, inlays or onlays.

- 22-watt circline lamp provides even light distribution to the work surface.
- Permanent 4- or 5-diopter glass lens provides magnification power and a distortion-free viewing area.
- Available 4d lens model with 12-diopter "permanent" inset bubble offers more magnification; an additional 4d (2X) Add-X lens allows even greater power. (See back cover for order information.)
- Sturdy 37" reach arm features a built-in electronic ballast for increased energy-efficient illumination.



WD-213 Waterproof Fluorescent Light
(Order #108-400-000)
With a light head made of cast aluminum and a sealed polycarbonate diffuser, this all-purpose task light can withstand virtually any environment where liquid is prevalent. It is especially useful for wet model trimming.

- Two 13-watt compact fluorescent lamps provide a 4100K color temperature. A 5000K "daylight" lamp model is offered for color correction procedures. (Please call for information.)
- Universal base offers both horizontal and vertical mounting.
- Gasketing and rubber baffles at the diffuser, switch, joints, and base provide waterproof protection.



SNE-136 Bench and Lab Light
(Order #108-080-003)
Provides broad ambient lighting with a 36-watt, 5400K "daylight" lamp for color correcting applications such as shade matching of ceramic restorations and custom staining. Also ideal for general dental lab procedures such as intricate implant work and die trimming.

- Adjustable spring-loaded arm facilitates positioning and features a built-in electronic ballast for energy-efficiency.
- Parabolic louver provides precise light direction and eliminates glare.
- Optional clip-on 3d magnifier offers enhanced inspection.



STE-155 Multi-Task Workbench Light
(Order #138-445-000)
Includes a 55-watt compact fluorescent lamp providing bright, 5400K "daylight" illumination for color correction applications.

- Aluminum construction – including parabolic louver and end caps – proves useful in dental waxing and denture applications.
- Extra long 24.5" head with built-in parabolic louver provides asymmetrical, glare-free illumination and precise light direction for multiple applications.
- 36" reach spring-loaded arm with built-in electronic ballast features flexible joints which provide maximum adjustability.

Omnivue with Fully Rotational Magnifier
(Order #118-790-000)
Ideal for applications requiring multi-light levels including implant restorations, inspection of castings, crowns, veneers, and custom staining/glazing of porcelain units.

- Three 9-watt, 5000K compact fluorescent lamps provide two light levels – 1200 lumens of side-to-side lighting or 1800 lumens from the top and sides of the magnifier. UV lamps are available.
- Large 6.38" x 4.13" 3-diopter fully rotational optical quality glass lens is ideal for detail work. Add-X lenses are offered for increased magnification power.
- 35" reach arm, with ergonomic ball joint attached to the head, offers full rotation. Extended 43" reach arm is available (047-803-000).



Mounting Options & Accessories

For the SNE, Omnivue and RLE models, the included clamp with plastic base can be used as an economical mounting alternative. Simply detach the base from the clamp and affix it to your lab work surface with four screws.



Portable Stand
Use this portable stand on casters to wheel to and from a variety of work areas. Move it aside when not in use.



Pin Mount Table Base
Use this 12.5-lb. weighted base for the Omnivue, RLE, and SNE. The pin base of these models easily inserts into our portable table base.



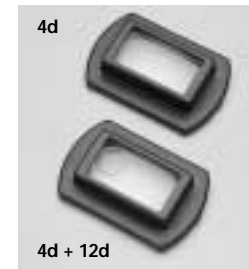
1/2" Pin Adapter
Use our adapter mount for lab furniture which has a built-in 1/2" pin receptacle.



Wall Bracket
Our space saving wall bracket allows lights to be mounted on vertical surfaces.



Clip-on 3d Magnifier for SNE-136
Clip this lens on to the SNE head for 1.75X magnification power.



Add-X Lenses
These lenses provide enhanced magnification power to both the Omnivue and SNE.



Add-X Lens for RLE-122
Use this 2X Add-X lens to magnify in even greater detail.



Fluorescent Replacement Lamps
These lamps provide 5400K and 5000K color temperatures for color correction and precise viewing of dental lab applications.