

TANEO ARM-MOUNTED LUMINAIRE VARIABLE AND CONVENIENT.



LED

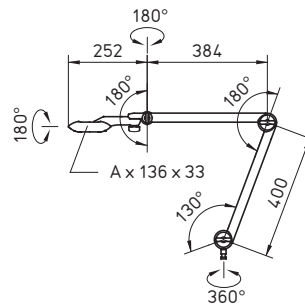


The uniquely flexible and balanced arm of TANEO can be effortlessly adjusted to any position. This is held without taking any further action, but can be locked if required. The arm also has a particularly large radius of action. And the luminaire head can also be varied in any way thanks to the highly flexible 3D head joint.

TECHNICAL DATA



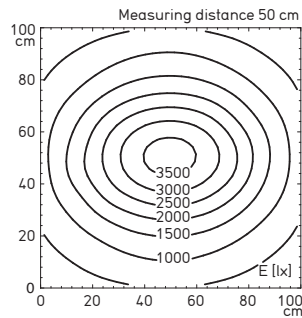
efficient *light*



Dimension A: 15 W = 218 mm, 31 W = 398 mm, 47 W = 577 mm

Features at a glance

- 12, 24 or 36 x LED
- Power consumption 15, 31 or 47 W
- Color temperature neutral white 4,000 K or 5,000 K
- Glare-free thanks to Conical Prismatic Screen (CDP) or white opal screen
- Housing made of colorless anodized aluminum and black plastic, screen made of PMMA (CDP) or PC (white opal screen)
- Spring-balanced arm with 3D head joint
- Touch panel integrated in the luminaire head for On/Off and dimming
- System of protection IP20, class of protection III (luminaire) and II (power supply)
- Wall power supply (15 W) or table power supply (31 and 47 W), 100 – 240 V, 50/60 Hz, 3 m mains lead
- Various fastenings as accessories (see catalog)



Illuminance based on the example of 47 W with CDP screen

PART NUMBER	WATTAGE	VOLTAGE	SCREEN	COLOR TEMPERATURE	OPERATING DEVICE
112 576 000 - 00562055	15 W	100-240V, 50/60 Hz	Conical prisms	4000 K	Wall Power Supply
112 576 000 - 00562045	15 W	100-240V, 50/60 Hz	Conical prisms	5000 K	Wall Power Supply
112 576 000 - 00562095	15 W	100-240V, 50/60 Hz	White opal	4000 K	Wall Power Supply
112 576 000 - 00562104	15 W	100-240V, 50/60 Hz	White opal	5000 K	Wall Power Supply
112 577 000 - 00562130	31 W	100-240V, 50/60 Hz	Conical prisms	4000 K	Table Power Supply
112 577 000 - 00562141	31 W	100-240V, 50/60 Hz	Conical prisms	5000 K	Table Power Supply
112 577 000 - 00562157	31 W	100-240V, 50/60 Hz	White opal	4000 K	Table Power Supply
112 577 000 - 22562177	31 W	100-240V, 50/60 Hz	White opal	5000 K	Table Power Supply
112 578 000 - 00562192	47 W	100-240V, 50/60 Hz	Conical prisms	4000 K	Table Power Supply
112 578 000 - 00562207	47 W	100-240V, 50/60 Hz	Conical prisms	5000 K	Table Power Supply
112 578 000 - 00562219	47 W	100-240V, 50/60 Hz	White opal	4000 K	Table Power Supply
112 578 000 - 00562228	47 W	100-240V, 50/60 Hz	White opal	5000 K	Table Power Supply