

**Derungs**   
MEDICAL LIGHTING  
A Division of The Waldmann Group

**Waldmann**   
ENGINEER OF LIGHT.

**D**lite® vanera

HEALTHCARE FACILITY LIGHTING SOLUTIONS





## Dlite® vanera

### A FAMILY OF HIGH-PERFORMANCE LUMINAIRES FOR HEALTHCARE FACILITIES

Light should provide much more than simple illumination of the healthcare environment. It should create a comfortable, yet functional atmosphere for both patients and staff. Whatever the natural light level, artificial light should compliment, reshape and emphasize functional design, while also providing an aesthetically pleasing element to the space. Derungs®, a division of the Waldmann Group, designs and manufactures lighting products that assist you in creating healthy and comfortable environments in healthcare facilities.

#### LIGHT - A CORE FACTOR FOR HEALTH AND WELL-BEING

The Derungs® product line takes a fundamentally distinct approach to lighting healthcare facilities. Lighting in healthcare needs to be functional as well as energy efficient. The atmosphere created by the correct lighting has a significant impact on the well-being of the patient or resident, as well as adding to the effectiveness of the staff. We are committed to working with healthcare partners, architects and designers, and others involved in the refinement of healthcare environments. By focusing on user needs, we create inspired medical lighting solutions that can increase the welfare of the patient.

Lighting in hospitals, medical practices and elder care facilities must meet two criteria for a healthy environment:

1. The medical staff requires optimal illumination for daily work.
2. Patients and residents benefit from lighting systems which create a pleasant and safe environment.

Most people in need of care share a room and recreation areas with other patients/residents in the facility. The proper lighting solution can make an unfamiliar environment like a hospital or nursing home more comfortable for the patient/resident.

An independent, high quality of life, along with energy efficiency are important aspects in the design of both new and renovated healthcare facilities. During

early planning stages, designers and architects must gauge the impact their designs can have on patients and staff through the use of modern lighting technology. The lighting design and concept of rooms and corridors must be a well-balanced compromise between functionality, modern technology and the creation of a pleasant environment. In many cases, the combination of different types of lighting (general, task and examination) provides the best and most flexible solution for all.

Successful lighting design in healthcare facilities is a result of the proper aesthetic and functional elements that work efficiently within the space.

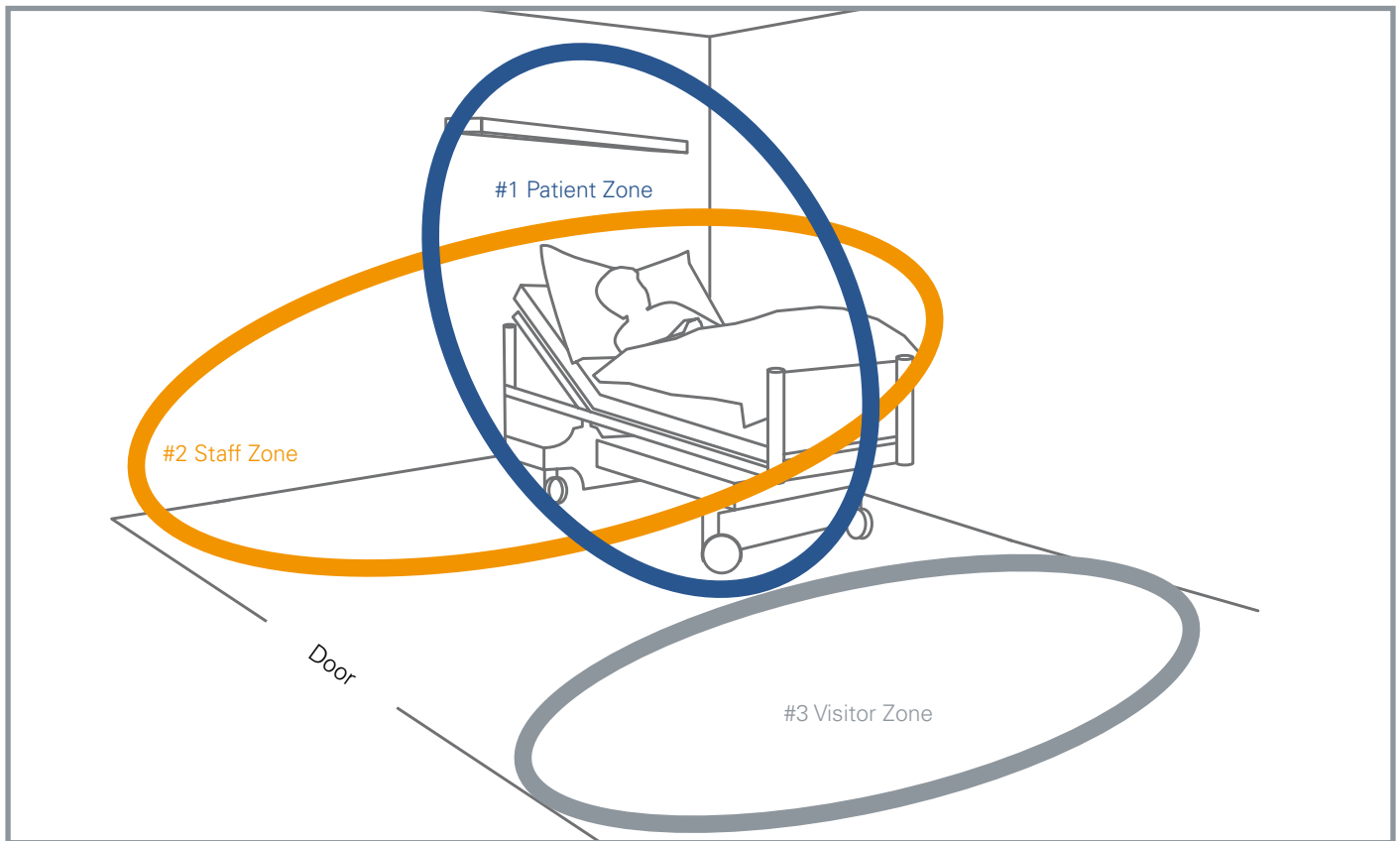


**Dlite® vanera**  
**TABLE OF CONTENTS**

Lighting Solutions:	Patient/Resident Rooms	3-6
Lighting Solutions:	Healthcare Restrooms	7-8
Lighting Solutions:	Corridors	9-10
Overview:	Family of Products	11
Technical Data:	<b>Dlite® vanera</b> 54/54 W, Bed Wall Mount	12
Technical Data:	<b>Dlite® vanera</b> 39/39 W, Bed Wall Mount <b>Dlite® vanera</b> 2 x 39 W, Corridor Mount	13
Technical Data:	<b>Dlite® vanera</b> 2 x 24 W, Bath Wall Mount <b>Dlite® vanera</b> 2 x 24 W, Bed Wall Mount	14
Technical Data:	<b>Dlite® vanera</b> 2 x 54 C, Corridor Ceiling Mount	15
INTRODUCTION:	<b>Dlite® amadea</b> FAMILY	16
ADDITIONAL PRODUCT OFFERINGS:		17

# PATIENT/RESIDENT ROOMS

## 3 LIGHTING ZONES



### THE 3 LIGHTING ZONES OF PATIENT/RESIDENT ROOMS

The ideal lighting solution in a healthcare room is actually divided into three ideal zones.

**#1: The Patient Zone**, comprises lighting on and around the bed. Ease in activities such as reading, writing and watching TV, as well as clear access to the restroom are important for patient comfort.

**#2: The Staff Zone**, with lighting around a sink, sanitizer or counter for writing. Direct and bright illumination allows for concise and shadow-free access to the patient.

**#3: The Visitor Zone**, where the lighting allows for visitors to feel comfortable spending time with a loved one. Also, in some settings like maternity rooms, this zone may be equipped with a task light for visitor reading and to view vital information with the staff. (See the Waldmann/Derungs Minor Surgery and Exam Lighting Solutions catalog page 12-14)

The proper lighting solution helps functionality and clarifies the space in the room. Ultimately, when the patient can clearly adapt to his/her surroundings and feels connected to staff and loved ones; then a lighting environment has been created that is conducive for healing.

Lighting with the **Dlite® vanera** offers the perfect, flexible solution for patients and staff.

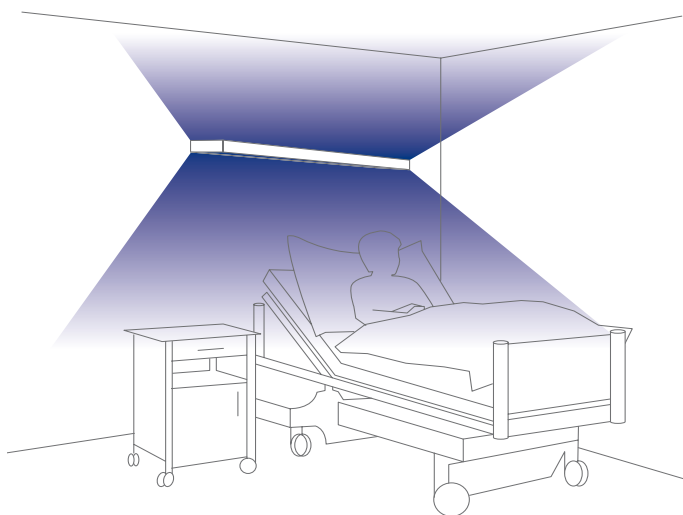
- Well-adjusted, pleasant room light through indirect/direct lighting (asymmetrical diffusion of light)
- Convenient switching of different light levels
- Slim profile, modern lamp technology and unobtrusive design integrates easily into the overall architecture of the building



# PATIENT/RESIDENT ROOMS

## LIGHTING DISTRIBUTION

DISTRIBUTION: DIRECT/INDIRECT LIGHTING



### LIGHT DISTRIBUTION CHARACTERISTICS

The **Dlite® vanera** sophisticated microprism optics provide optimal asymmetrical light distribution. In addition, it provides light diffusion on walls allowing for even distribution of light throughout the entire room. The **Dlite® vanera** also provides glare-free lighting with minimal shadows allowing for a relaxing environment.

### HIGH-PERFORMANCE TECHNOLOGY

- High-performance T5 fluorescent light technology allows for optimal color rendering for accurate diagnosis
- Increased productivity for staff due to the clear recognition of their tasks
- Provides the ideal level of light that encourages the healing process and patient independence



# HEALTHCARE RESTROOMS

## SAFETY AND EFFICIENCY



### THE MATCHING **Dlite® vanera** FOR THE RESTROOM

One of the most important functional areas of any care setting is the restroom. Here, the patient and the staff need both quality and quantity of light. If the lighting allows shadows or glare, patients will find it difficult to maneuver and clearly see details within the restroom. The correct lighting of this area can assist each patient in healing and allow for a feeling of independence. Critical accessories such as grab bars, towel bars and others need to be clearly visible and glare-free for safety.

The **Dlite® vanera** for the restroom is the aesthetic and functional answer for any healthcare restroom setting. Its compact design allows for high-performance while being unobtrusive.

### BENEFITS

- Shadow-free and glare-free light distribution for safety and accuracy
- Soft and pleasant room lighting
- Sophisticated microprism optics provide optimal asymmetrical light distribution
- IP24 rated allowing for use in a wet environment
- Slim and linear design





# CORRIDORS

## HIGH-PERFORMANCE, SAFE LIGHTING SOLUTIONS



### CORRIDOR LIGHTING SOLUTIONS

Waldmann encourages custom lighting solutions that respond aesthetically and architecturally to the needs and goals of its users. In the healthcare industry, both individual patient rooms and corridors need high-performance lighting.

In particular, quality lighting in elder care facilities is critical. Through the use of the correct lighting solutions, the corridor can create a safe and pleasant environment.

The **Dlite® vanera** meets all criteria for optimal corridor lighting in a multitude of architectural designs. The unique engineering of its high-quality microprism optics allows light diffusion while maintaining high-luminous efficiency. Light is directed via the ceiling and/or the walls, then towards the floor. The result is that patients and staff can see clearly, without glare, and feel safe by avoiding any obstructions in the corridor. The **Dlite® vanera** can be mounted directly to the ceiling, which makes it particularly suitable for corridors with higher ceiling heights.

### BENEFITS

- Precise light distribution using T5 fluorescent lamp technology
- Optically enlarged corridors through indirect/direct light on ceilings and walls
- Shadow-free and glare-free lighting reduces safety risks
- Corridors become spaces which provide a pleasant and safe atmosphere
- The slim design easily integrates into the overall architecture of the building
- The ability to customize light settings with the Dali Visual Timing System is available - (Consult Factory)



# Dlite® vanera OVERVIEW: FAMILY OF PRODUCTS

## HEALTHCARE ROOMS



BED WALL MOUNT

54/54 W, Bed Wall Mount  
 39/39 W, Bed Wall Mount  
 2 x 24 W, Bed Wall Mount

Model: Eco  
 Model: Standard

Available lengths: 2', 3' and 4'



BATH WALL MOUNT

2 x 24 W, Bath Wall Mount (IP24 rated)

Model: Eco  
 Model: Standard

Available length: 2'

## CORRIDORS



CEILING MOUNT

2 x 54 C, Corridor Ceiling Mount

Model: Eco  
 Model: Standard

Available length: 4'



WALL MOUNT

2 x 39 W, Corridor Wall Mount  
 2 x 24 W, Corridor Wall Mount

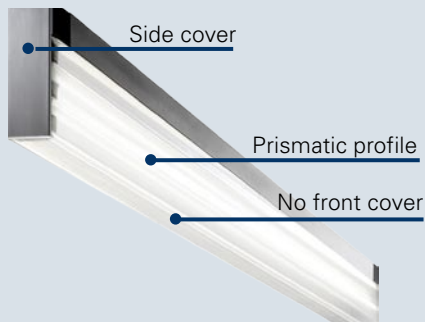
Model: Eco  
 Model: Standard

Available lengths: 2' and 3'

## ECO AND STANDARD MODELS

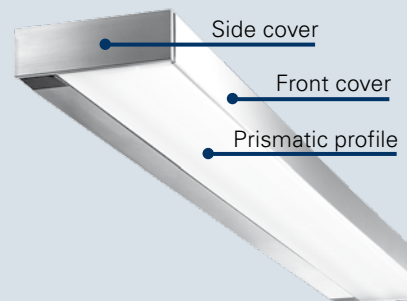
### Eco Version

Lamp housing: Aluminum  
 Prismatic profile: Plastic  
 Front cover: None  
 Side cover: Plastic



### Standard Version

Lamp housing: Aluminum  
 Prismatic profile: Plastic  
 Front cover: Aluminum  
 Side cover: Aluminum



# Dlite® vanera 54/54 W, Bed Wall Mount (Individually controlled lamps-2 switches)

## TECHNICAL DATA

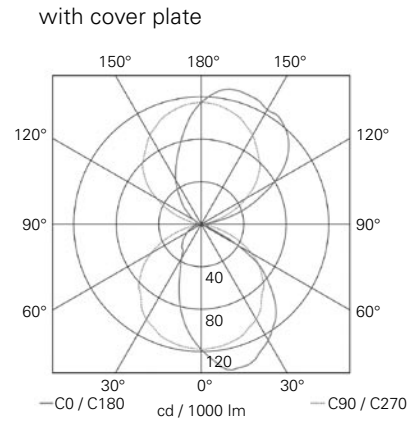
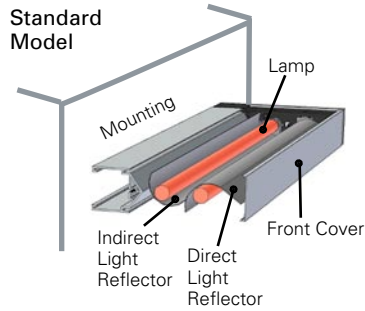
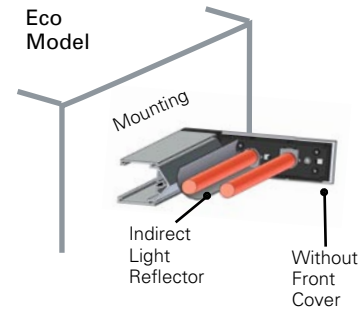
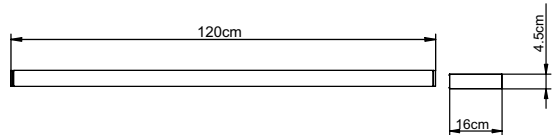
FITTED WITH	2 x 54 W
LIGHT DISTRIBUTION	General lighting, direct/indirect 54 W
REFLECTOR	DRS Double-Reflector-System
LIGHT DIFFUSION	Asymmetric beam
WORK EQUIPMENT	Electronic Ballasts
SUPPLY VOLTAGE	120V - 277V, 50/60 Hz
FASTENING	Wall mount
LAMP HOUSING	Aluminum, natural-anodized
DIFFUSER	Acrylic
WEIGHT (NET)	Approx. 8.8 lbs.
POWER CONSUMPTION	2 x 54 W, tubes switchable - 122W
SWITCH	None (hard wired)
PROTECTION CLASS	I
STANDARDS	EN 60598-1, EN 60598-2-1 EN 60598-2-25



REPLACEMENT LAMP	D68-890-000
------------------	-------------



Direct and indirect light single switchable	with front cover, aluminum without front cover	side cover, aluminum	side cover, plastic	Part #
Dlite®vanera ECO 54/54 W, Bed	X	X	X	D14-434-000
Dlite®vanera STANDARD 54/54 W, Bed	X	X	X	D14-753-000



OTHER AVAILABLE OPTIONS: 1.) DALI VISUAL TIMING SYSTEM  
 2.) MICROSWITCHES  
 3.) LOW-VOLTAGE CONTROLLERS

CONTACT CUSTOMER SERVICE: TOLL-FREE: 800-634-0007  
 EMAIL: sales@waldmannlighting.com

**Dlite® vanera 39/39 W, Bed Wall Mount** (Individually controlled lamps- 2 switches)  
**Dlite® vanera 2 x 39 W, Corridor Mount** (Both lamps controlled with 1 on/off switch)

**TECHNICAL DATA**

FITTED WITH	2 x 39 W
LIGHT DISTRIBUTION	General lighting, direct/indirect
LIGHT DIFFUSION	Wide beam and glare-free
WORK EQUIPMENT	Electronic Ballasts
SUPPLY VOLTAGE	120V - 277V, 50/60 Hz
FASTENING	Wall mount
LAMP HOUSING	Aluminum, natural-anodized
DIFFUSER	Acrylic
WEIGHT (NET)	Approx. 7.3 lbs.
POWER CONSUMPTION	Tubes switchable - 88W
SWITCH	None (hard wired)
PROTECTION CLASS	I
STANDARDS	EN 60598-1, EN 60598-2-1 EN 60598-2-25

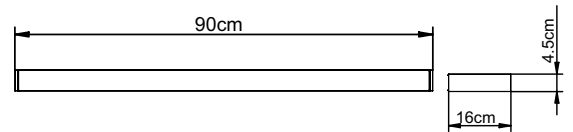


REPLACEMENT LAMP	D68-891-000
------------------	-------------

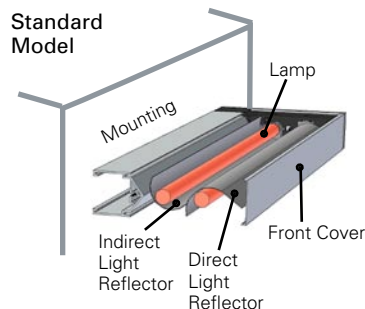
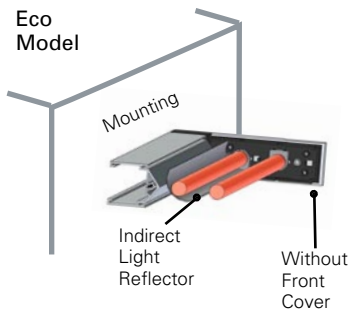
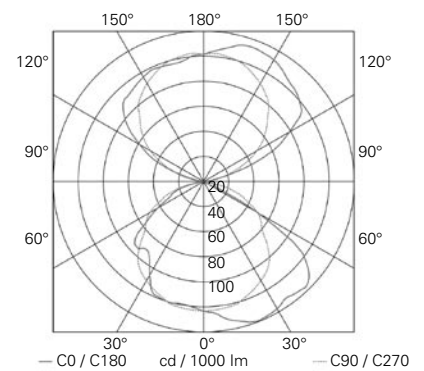


with front cover, aluminum  
without front cover  
side cover, aluminum  
side cover, injection molded

Direct and indirect light	with front cover, aluminum	without front cover	side cover, aluminum	side cover, injection molded	Part #
<b>Dlite® vanera</b> ECO 39/39 W	X		X		D14-433-000
<b>Dlite® vanera</b> STANDARD 39/39 W	X	X	X		D14-760-000
<b>Dlite® vanera</b> ECO 2 x 39 W		X	X		D14-431-000
<b>Dlite® vanera</b> STANDARD 2 x 39 W	X	X	X		D14-432-000



with cover plate



# Dlite® vanera 2 x 24 W, Bath Wall Mount (Both lamps controlled with 1 on/off switch)

# Dlite® vanera 2 x 24 W, Corridor Wall Mount (Both lamps controlled with 1 on/off switch)

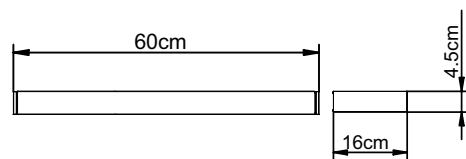
## TECHNICAL DATA

FITTED WITH	2 x 24 W
LIGHT DISTRIBUTION	General lighting, direct/indirect
LIGHT DIFFUSION	Special wide beam and glare-free technique
WORK EQUIPMENT	Electronic Ballasts
SUPPLY VOLTAGE	120V - 277V, 50/60 Hz
FASTENING	Wall mount
LAMP HOUSING	Aluminum, natural-anodized
DIFFUSER	Acrylic
WEIGHT (NET)	Approx. 5.5 lbs.
POWER CONSUMPTION	Tubes switchable - 54W
SWITCH	None (hard wired)
PROTECTION CLASS	I
SPECIAL FEATURES	Int. protection according to IP24 / IEC 529 -Bath only
STANDARDS	EN 60598-1, EN 60598-2-1 EN 60598-2-25

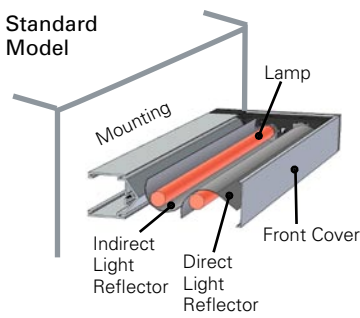
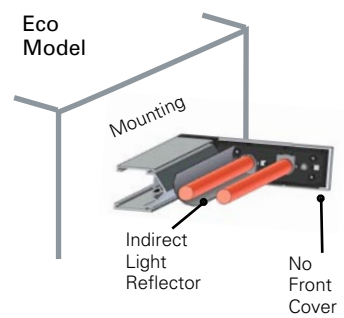
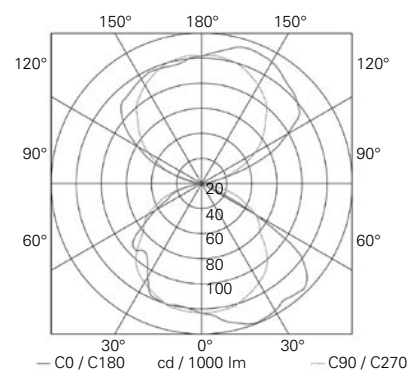


REPLACEMENT LAMP	D68-892-000
------------------	-------------

Direct and indirect light	with front cover, aluminum	without front cover	side cover, aluminum	side cover, plastic	Part #
<b>Dlite® vanera</b> ECO 2 x 24 W, Bath	X		X		D14-721-000
<b>Dlite® vanera</b> STANDARD 2 x 24 W, Bath	X		X		D14-720-000
<b>Dlite® vanera</b> ECO 2 x 24 W, Corridor		X	X		D14-723-000
<b>Dlite® vanera</b> STANDARD 2 x 24 W, Corridor	X	X			D14-722-000



with cover plate



# Dlite® vanera 2 x 54 C, Corridor Ceiling Mount (Both lamps controlled with 1 on/off switch)

## TECHNICAL DATA

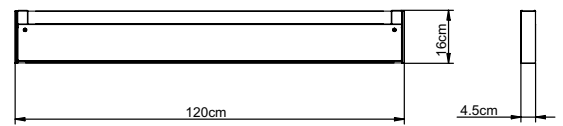
FITTED WITH	2 x 54 W
LIGHT DISTRIBUTION	General lighting, direct/indirect
LIGHT DIFFUSION	Special wide beam and glare-free technique
WORK EQUIPMENT	Electronic Ballasts
SUPPLY VOLTAGE	120V - 277V, 50/60 Hz
FASTENING	Ceiling mount
LAMP HOUSING	Aluminum, natural-anodized
DIFFUSER	Acrylic
WEIGHT (NET)	Approx. 8.8 lbs.
POWER CONSUMPTION	Tubes switchable - 119W
SWITCH	None (hard wired)
PROTECTION CLASS	I
STANDARDS	EN 60598-1, EN 60598-2-1 EN 60598-2-25



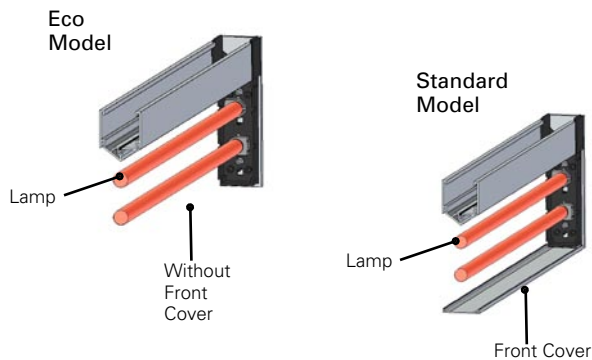
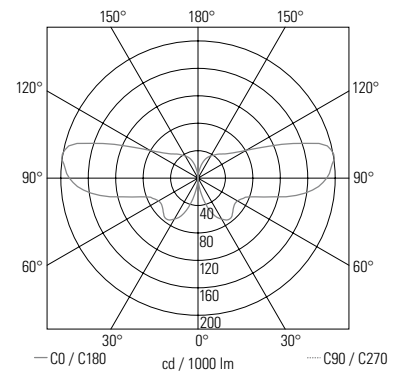
REPLACEMENT LAMP	D68-890-000
------------------	-------------



	with front cover, aluminum	without front cover	side cover, aluminum	side cover, plastic	Part #
Direct and indirect light					
<b>Dlite® vanera</b> ECO 2 x 54 C		X	X		D14-438-000
<b>Dlite® vanera</b> STANDARD 2 x 54 C	X		X		D14-439-000



with cover plate



OTHER AVAILABLE OPTIONS: 1.) DALI VISUAL TIMING SYSTEM  
2.) MICROSWITCHES  
3.) LOW-VOLTAGE CONTROLLERS

CONTACT CUSTOMER SERVICE: TOLL-FREE: 800-634-0007  
EMAIL: sales@waldmannlighting.com



# INTRODUCTION TO THE Dlite<sup>®</sup> amadea FAMILY

## AN ADDITIONAL HEALTHCARE FACILITY LIGHTING SOLUTION

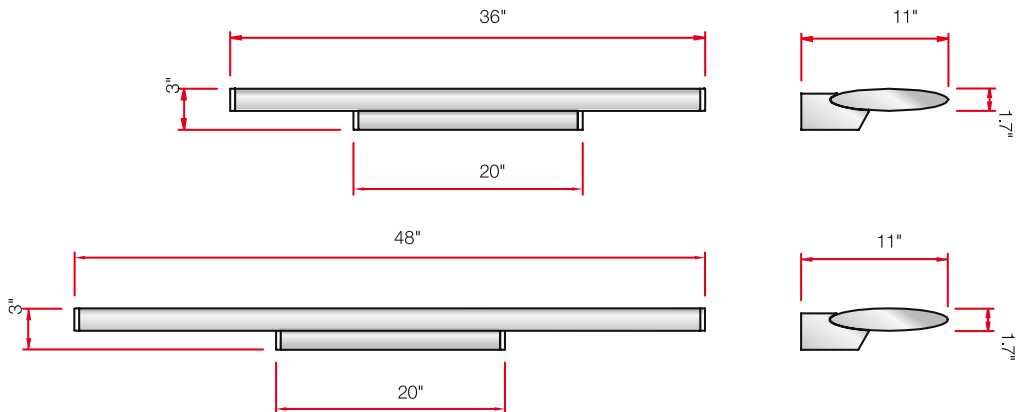
An alternative lighting solution for your custom healthcare application is the Dlite<sup>®</sup> amadea family of products. Aesthetically different from the Vanera family, this high-performance lighting solution is another favorite among designers/architects and patients/staff.

Please contact our customer service department in our US division at 800-634-0007 for assistance.

### Dlite<sup>®</sup> amadea Wall Mount



### Dlite<sup>®</sup> amadea Pendant Mount



# ADDITIONAL HEALTHCARE PRODUCT OFFERINGS

## MINOR SURGERY AND EXAM LIGHTING SOLUTIONS

In addition to healthcare room and corridor lighting, Waldmann also manufactures a full line of Minor Surgery and Exam Lighting Solutions. These high-performance luminaires are Swiss/German designed with over 500,000 fixtures installed in medical facilities worldwide.

Please contact our customer service department in our US division at 800-634-0007 for assistance.



### FEATURED PRODUCTS:

#### MINOR SURGERY:

ISIS™ Series

#### EXAM:

Halux® 50

Halux® 35/2

Max 35

#### MAGNIFIERS:

Omnivue™ Series

RLLS Series

#### MEDICAL TASK:

Medicool

MT20 and Cosy

Culta

NOTES:

**USA**

Waldmann Lighting  
9 W. Century Drive  
Wheeling, Illinois 60090  
Phone: 847 520 1060  
Fax: 847 520 1730  
www.waldmann.com  
sales@waldmannlighting.com

**SWITZERLAND**

Waldmann Lichttechnik GmbH  
Benkenstrasse 57  
5024 Küttigen  
Switzerland  
Telephone +41 62 839 12 12  
Fax +41 62 839 12 99  
www.waldmann.com  
info-ch@waldmann.com

**FRANCE**

Waldmann Eclairage S.A.S  
P.O. Box 23431  
Reichstett  
67455 Mundolsheim Cedex  
France  
Telephone +33 3 8820 9588  
Fax +33 3 8820 9568  
www.waldmann.com  
info-fr@waldmann.com

**AUSTRIA**

Waldmann Lichttechnik Ges.m.b.H  
Gewerbepark Wagram 7  
4061 Pasching/Linz  
Austria  
Telephone +43 7229 67 400  
Fax +43 7229 67 444  
www.waldmann.com  
info-at@waldmann.com

**ITALY**

Waldmann Illuminotecnica s.r.l.  
Via della Pace, 18 A  
20098 S. Giuliano (MI)  
Italy  
Telephone +39 02 9824 9024  
Fax +39 02 9824 6378  
www.waldmann.com  
info-it@waldmann.com

**BELGIUM**

Waldmann Medische Techniek BV  
Lingewei 19  
4004 LK Tiel  
Netherlands  
Telephone +31 344 631 019  
Fax +31 344 627 856  
www.waldmann.com  
info-nl@waldmann.com

**SCANDINAVIA**

Waldmann Ljusteknik  
Skebokvarnsvägen 370  
124 50 Stockholm/Bandhagen  
Sweden  
Telephone +46 8 990 350  
Fax +46 8 991 609  
www.waldmann.se  
hk@waldmann.se

**SINGAPORE**

Waldmann Lighting Singapore Pte. Ltd  
Blk168, Jalan Bukit Merah Tower 3,  
#04-09 B  
SG-Singapur 150168  
Telephone +65 6275 8300  
Fax +65 6275 8377  
www.waldmann.com  
waldmann@singnet.com.sg

**CHINA**

Waldmann Lighting (Shanghai) Co. Ltd.  
Part A, No. Five Normative Workshop  
199 Changjian Road, Baoshan  
Shanghai, PRC 200949  
Telephone +86 2151 691799  
Fax +86 2133 850032

**GERMANY**

Herbert Waldmann GmbH & Co. KG  
P.O. Box 5062  
78057 Willingen-Schwenningen  
Germany  
Telephone +49 7720 601 100  
Fax +49 7720 601 290  
www.waldmann.com  
info@waldmann.com

**Waldmann** 

ENGINEER OF LIGHT.

**Derungs** 

MEDICAL LIGHTING

A Division of The Waldmann Group