

Waldmann **W**

ENGINEER OF LIGHT.

NORTH AMERICA

TYCOON FAMILY



THE TYCOON FAMILY

THE NEW INTELLIGENCE OF THE LUMINAIRE



NEW Tycoon 2-lamp
(free-standing and table-mounted luminaire)



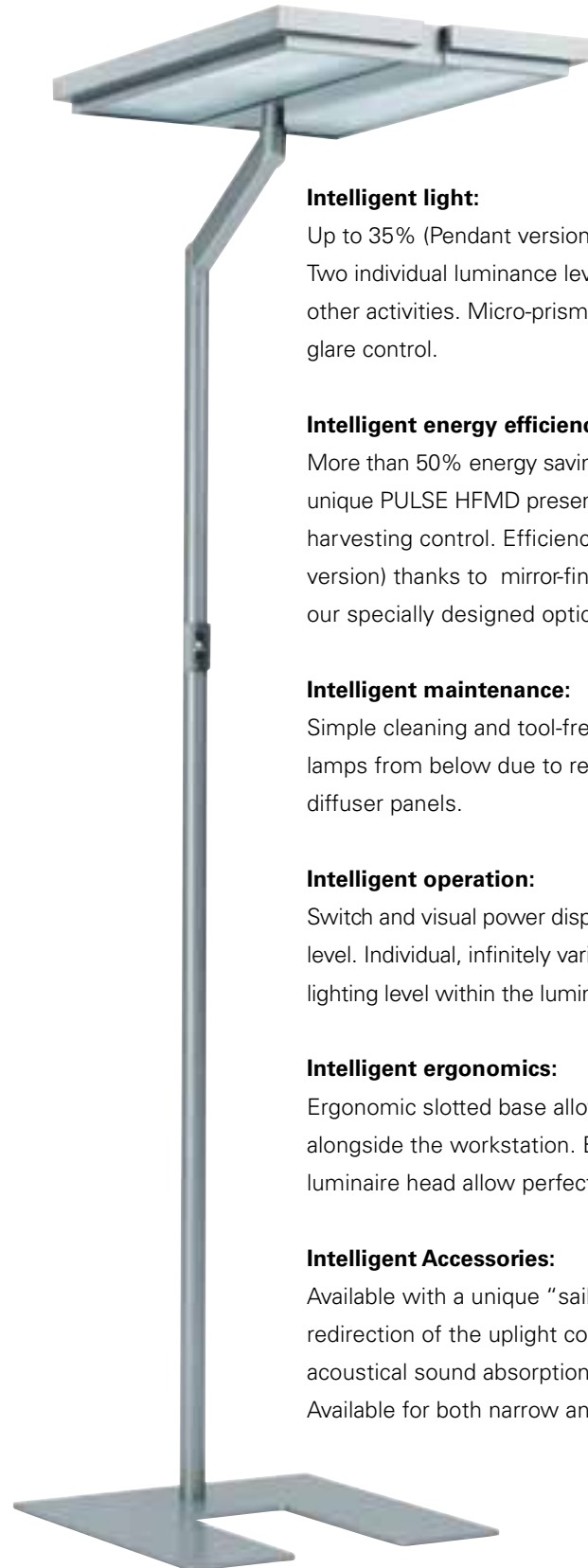
NEW Tycoon task pendant luminaire



NEW Tycoon wall-mounted luminaire



NEW Tycoon surface-mounted luminaire



Intelligent light:

Up to 35% (Pendant version) glare-free direct light. Two individual luminance levels for computer work and other activities. Micro-prism optics provide exceptional glare control.

Intelligent energy efficiency:

More than 50% energy savings is possible due to the unique PULSE HFMD presence sensor and daylight harvesting control. Efficiency in excess of 90% (Pendant version) thanks to mirror-finish reflectors combined with our specially designed optics.

Intelligent maintenance:

Simple cleaning and tool-free replacement of fluorescent lamps from below due to removable side parts and diffuser panels.

Intelligent operation:

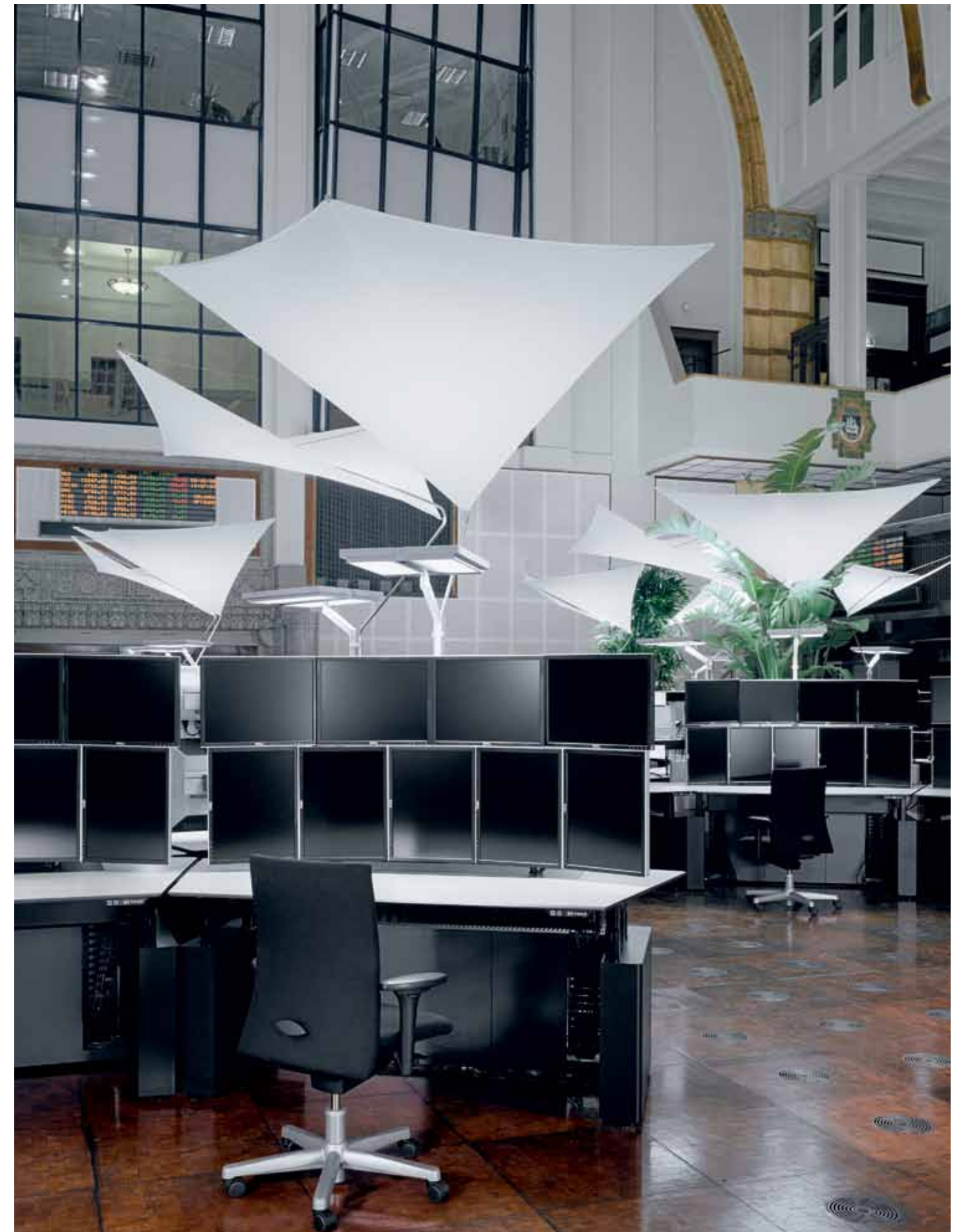
Switch and visual power display on the lower arm at desk level. Individual, infinitely variable definition of the desired lighting level within the luminance levels.

Intelligent ergonomics:

Ergonomic slotted base allows placement directly alongside the workstation. Bent arm and pivoting luminaire head allow perfect orientation of the luminaire.

Intelligent Accessories:

Available with a unique "sail" system that provides redirection of the upright component as well as acoustical sound absorption in open ceiling spaces. Available for both narrow and wide light redistribution.



TYCOON FREESTANDING LUMINAIRE WITH OPTIONAL SAIL SYSTEM - AMSTERDAM STOCK EXCHANGE

THE TYCOON FAMILY INTELLIGENCE WITH STYLE



FLEXIBILITY, SOPHISTICATION AND CONTROL

THE TYCOON TASK PENDANT PROVIDES A HIGHLY INTELLIGENT CONTRIBUTION TO INCREASING ENERGY EFFICIENCY. WITH ITS LIGHT AMPLIFYING MICRO-PRISM AND MIRROR-FINISH REFLECTORS, THE PENDANT ACHIEVES EFFICIENCY IN EXCESS OF 90%. THE TYCOON PENDANT PROVIDES MAXIMUM LIGHT OUTPUT FOR A MINIMAL AMOUNT OF ENERGY CONSUMED. A LUMINAIRE THIS EFFICIENT HAS A POSITIVE EFFECT ON YOUR BOTTOM LINE.

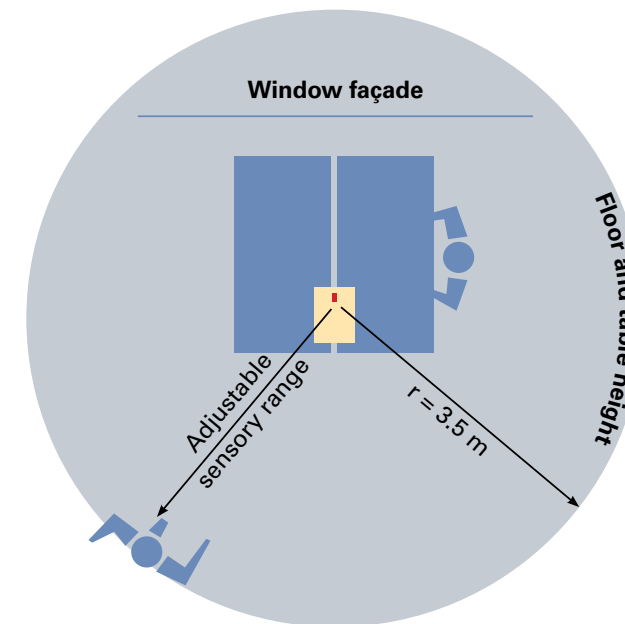
The Tycoon task pendant is designed for performance as well as sophistication. Its minimalistic, cubic design works with modern architecture, floats inconspicuously in the space and provides high-quality light that promotes a comfortable work environment.

When viewed from a design perspective, the direct/indirect light distribution achieved with the micro-prism optics allows an axis-orientated positioning of the luminaire - i.e. at a 90° angle to the window façade and directly across the workstation. Now you can be flexible with your future planning. Room layouts can be changed as required and partition walls moved more easily.

WIDE SENSORY RANGE OF THE HFMD SENSOR

(HFMD - HIGH-FREQUENCY MOTION DETECTOR)

PULSE HFMD (room-orientation):

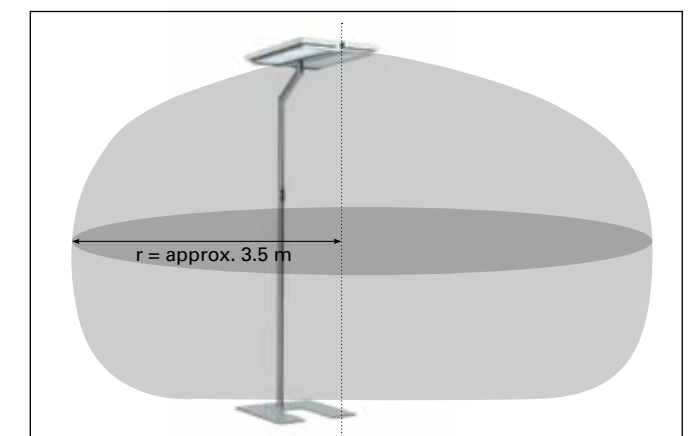


DUE TO HIGH FREQUENCY MOTION DETECTION, THE HFMD SENSOR REACTS TO EVEN THE SMALLEST MOVEMENT WITHIN A RADIUS OF APPROXIMATELY 3.5 METERS (11.5 FEET). WHEN AN INDIVIDUAL ENTERS THE ROOM, THE LIGHT ACTIVATES AUTOMATICALLY, THEN SWITCHES OFF WHEN THEY LEAVE. IN ADDITION, THE HFMD SENSOR DETECTS DAYLIGHT AS A GAUGE FOR ADJUSTING THE AMBIENT LIGHT LEVEL. AS A RESULT, ENERGY CONSUMPTION CAN BE CONSIDERABLY REDUCED BY MORE THAN 50%.

The optional PULSE HFMD (High Frequency Motion Detector) works together with intelligent lighting management of the luminaires and even senses the smallest movement within a definable range. This means that the luminaire knows exactly whether someone is present or not, and turns on or off accordingly. At the same time, it perceives the existing ambient light level and regulates the amount of light emitted depending upon the available daylight.



Waldmann is a member of the DALI workgroup.



Sensory range of PULSE HFMD



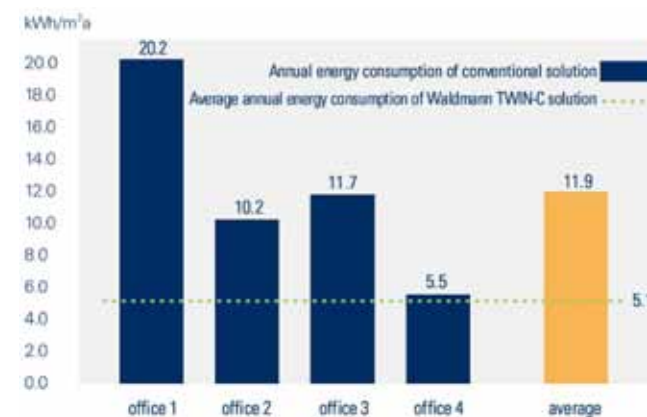
HIGH PERFORMANCE LIGHTING SOLUTIONS THAT CONSUME LESS ENERGY

RISING ENERGY COSTS, SUSTAINABLE DESIGN AND MODERN INTERIORS REQUIRE A NEW WAY OF THINKING. IN THE PAST, ENERGY SAVINGS MEANT LOWER AMBIENT LIGHT LEVELS, LOSS OF VISUAL COMFORT AND LOWER PRODUCTIVITY. TODAY THINGS ARE DIFFERENT. WALDMANN DEMONSTRATES WAYS TO LOWER ENERGY COSTS WHILE MAINTAINING OR INCREASING THE LEVEL OF LIGHTING COMFORT AND QUALITY.

The possibility of saving energy through efficient lighting concepts in new buildings or renovations is frequently underestimated. On average, 22% of electrical costs in commercial buildings are attributed to lighting. In buildings that contain only offices, this percentage increases up to 50%. It is critical to include lighting quality in the energy and efficiency cost analysis.

ENERGY SAVINGS OF MORE THAN 50% ARE POSSIBLE USING HFMD CONTROLS

CONVENTIONAL SOLUTION



OFFICE SPACE

64 sq ft

LUMINAIRES

4 surface mounted luminaires with 2 x 28W T5 consuming 58 watts per unit

ILLUMINANCE LEVEL

50-70 fc at the work surface

ENERGY LOAD

3.7W per sq ft

AVERAGE ANNUAL ENERGY CONSUMPTION

3.63 kWh/ sq ft

CO2 EMISSIONS

1.4 tons over 10 years

WALDMANN TYCOON USING HFMD



OFFICE SPACE

64 sq ft

LUMINAIRES

1 free standing Tycoon with 4 x 40W CFL lamps

Occupancy sensing and daylight harvesting via HFMD

ILLUMINANCE LEVEL

50-70 fc at the work surface

ENERGY LOAD

2.5W per sq ft at 100% light output

1.25W per sq ft at 50% light output

AVERAGE ANNUAL ENERGY CONSUMPTION

1.5 kWh/ sq ft

CO2 EMISSIONS

0.6 tons over 10 years



EASY INSTALLATION, EASY MAINTENANCE, ALSO A SIGN OF INTELLIGENCE

THE TASK OF THE TYCOON IS TO MAKE BUILDING
MANAGEMENT AS SIMPLE AS POSSIBLE. NATURALLY, THIS
INCLUDES AN INTELLIGENT SOLUTION FOR CLEANING THE
LUMINAIRES AND CHANGING THE FLUORESCENT LAMPS.

Cleaning and maintaining free-standing luminaires generally requires intensive effort, which multiplies considerably with the number of luminaires. A tool is normally required to access the luminaire body. Cleaning and changing the fluorescent lamps often poses a safety risk, due to the need to climb on tables or chairs.

It's all very different with the Tycoon: here, the side covers can be removed and the diffuser panel pulled out by hand without the need for a tool. The fluorescent lamp can be easily removed and the panel wiped clean.

INTELLIGENCE MAKES LIFE EASY



Intelligent control:

A luminaire head with intelligence. The bend in the arm can be pivoted by 45° to increase the glare-free impact of direct and indirect light on the area of the visual task. The luminaire head, which can be pivoted by 90°, enables fine adjustment.



Intelligent operation with a visual power display:

The operating element is at desk level so you can reach it without having to stand up. It is extremely easy to use and shows the current power status of the Tycoon. It is also possible to operate Tycoon with switched power outlets.



Intelligent ergonomics:

The slotted base provides safety par excellence paired with well thought-out ergonomics. When table legs or furniture get in the way, simply move the luminaire closer to you.



NEW Tycoon table connector

Flexible mounting:

The Tycoon table connector allows easy installation directly to the workstation, eliminating the need for a base. This allows complete adjustability for placement of the luminaire at the workstation.

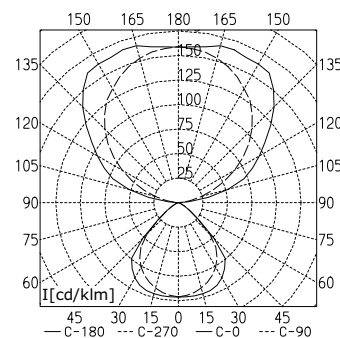
TYCOON 4-LAMP

FREE-STANDING AND TABLE-MOUNTED LUMINAIRE

TECHNICAL DATA



POWER SUPPLY	120V; 50/60 Hz
LAMPING	4 x compact fluorescent lamp TC-L 40W
POWER CONSUMPTION	approx. 175W
POWER CABLE	approx. 10 ft.; grounded 3-prong plug
HOUSING MATERIAL	Aluminium / plastic, silver metallic
LOWER ARM	Steel tube painted in silver metallic, angled
BASE	Slotted steel plate, flat, painted in silver metallic, or table clamp
OPERATION	Multifunction switch in lower arm
OPERATING EFFICIENCY	74%
LIGHT DISTRIBUTION	Direct (27%) / Indirect (73%)
DIFFUSION	Light amplifying micro-prism provides precise light distribution and glare control with minimal impact on luminaire efficiency



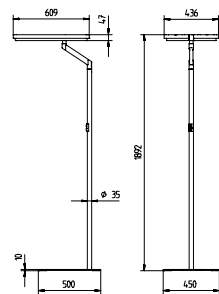
SPECIAL FEATURES

- Integrated light sensor and presence detector PULSE HFMD (on type DYS 440/P and DYT 440/P)
- Sensitive response; inconspicuous control and dimming using the HFMD sensor (on type DYS 440/P and DYT 440/P)
- Two individually adjustable light levels
- Easy-to-reach multifunctional switch. (Can be connected to switched outlet)
- Luminaire head can be pivoted by +/- 90°
- Detachable side parts and diffuser panel for easy replacement of fluorescent lamps and cleaning
- Head connection can be pivoted by +/- 45°

Free-standing luminaire / Table-mounted luminaire

ORDER NUMBERS

FREE-STANDING LUMINAIRES	TYPE	ORDER NO.
Free-standing luminaire switchable	DYS 440/2	121 525 008
Free-standing luminaire PULSE HFMD	DYS 440/P	121 390 038



Free-standing luminaire

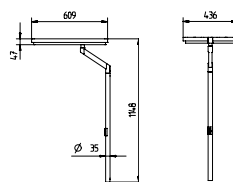


Table-mounted luminaire

TABLE-MOUNTED LUMINAIRE	TYPE	ORDER NO.
Table-mounted luminaire switchable	DYT 440/2	121 230 038
Table-mounted luminaire PULSE HFMD	DYT 440/P	121 519 038

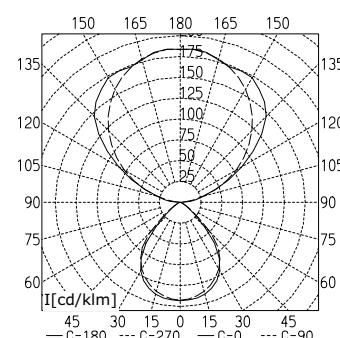
TYCOON 2-LAMP

FREE-STANDING AND TABLE-MOUNTED LUMINAIRE

TECHNICAL DATA



POWER SUPPLY	120V; 50/60 Hz
LAMPING	2 x compact fluorescent lamp TC-L 55W
POWER CONSUMPTION	approx. 119W
POWER CABLE	approx. 10 ft.; grounded 3-prong plug
HOUSING MATERIAL	Aluminium / plastic, silver metallic
LOWER ARM	Steel tube painted in silver metallic, straight
BASE	Square steel plate, flat, painted in silver metallic, or table clamp
OPERATION	Multifunction switch in lower arm
OPERATING EFFICIENCY	74%
LIGHT DISTRIBUTION	Direct (27%) / Indirect (73%)
DIFFUSION	Light-amplifying micro-prism provides precise light distribution and glare control with minimal impact on luminaire efficiency



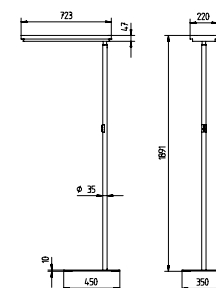
SPECIAL FEATURES

- Integrated light sensor and presence detector PULSE HFMD (on types DYS 255/P and DYT 255/P)
- Sensitive response; inconspicuous control and dimming using the HFMD sensor (on types DYS 255/P and DYT 255/P)
- Two individually adjustable light levels
- Easy-to-reach multifunctional switch (Can be connected to switched outlet)
- Luminaire head can be pivoted by +/- 90°
- Detachable side parts and diffuser panel for easy replacement of fluorescent lamps and cleaning

Free-standing luminaire / Table-mounted luminaire

ORDER NUMBERS

FREE-STANDING LUMINAIRES	TYPE	ORDER NO.
Free-standing luminaire switchable	DYS 255	121 438 038
Free-standing luminaire PULSE HFMD	DYS 255/P	121 436 038



Free-standing luminaire

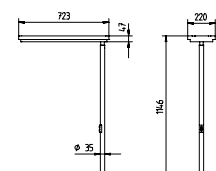


Table-mounted luminaire

TABLE-MOUNTED LUMINAIRE	TYPE	ORDER NO.
Table-mounted luminaire switchable	DYT 255	121 448 038
Table-mounted luminaire PULSE HFMD	DYT 255/P	121 446 038

TYCOON PENDANT TASK PENDANT

TECHNICAL DATA



POWER SUPPLY	120V - 277V; 50/60 Hz
DIFFUSION	Light amplifying micro-prism provides precise light distribution and glare control with minimal impact on luminaire efficiency
LUMINOUS POWER	Switchable or dimmable
LAMP COVER	Plastic
HOUSING MATERIAL	Steel / aluminium / plastic
HOUSING COLOR	Silver metallic

SPECIAL FEATURES

HIGH ENERGY EFFICIENCY

- Very high efficiency of > 90% using innovative micro-prism optics
- Consumption values of approx. 1 watt or less per square foot can be achieved

PROVIDES BOTH AMBIENT AND TASK LIGHTING AT THE WORKSTATION

- Tycoon task pendant offers optimal illumination by providing both ambient and task light

DIRECT POSITIONING OVER WORKSTATION IS POSSIBLE

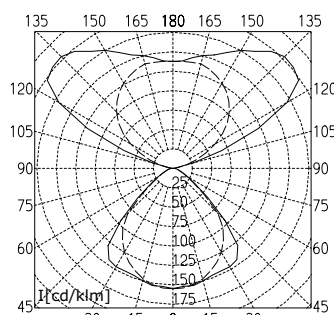
- Superior optical diffusion allows the luminaire to be positioned directly over the workstation with minimal glare and optimal task lighting performance

HIGH PERFORMANCE LIGHTING

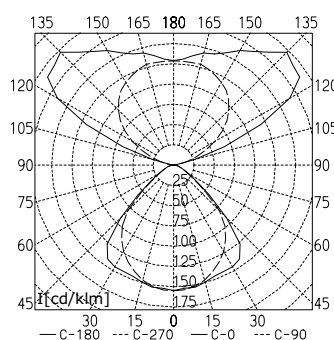
- Strong ambient light due to 65% indirect light distribution
- Comfortable 35% direct task light focused on the workstation

FLEXIBLE LIGHT LEVELS

- Luminaires can be specified with either 28W T5 or 54W T5HO lamps for flexible adjustment of light levels to meet workstation requirements



DYP 228



DYP 254

ORDER NUMBERS

TYPE

ORDER NO.

DYP 228

LAMPING	2 x fluorescent lamp 28W T5
POWER CONSUMPTION	approx. 63W
LIGHT DISTRIBUTION	Symmetrical; direct 35%, indirect 65%

switchable	DYP 228	121 454 038
dig. dimmable DALI	DYP 228/D	121 456 038

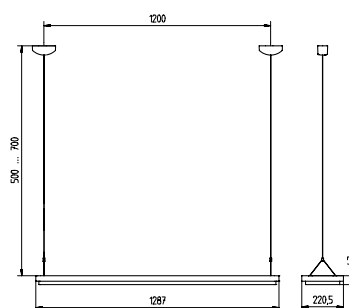
DYP 254

LAMPING	2 x fluorescent lamp 54W T5HO
POWER CONSUMPTION	119W
LIGHT DISTRIBUTION	Symmetrical; direct portion approx. 35%, indirect portion approx. 65%

switchable	DYP 254	121 455 038
dig. dimmable DALI	DYP 254/D	121 457 038

ACCESSORIES

Alternative flush mount canopy kit w/power cord feed hole	US0-300-200
Alternative flush mount canopy kit w/o power cord feed hole	US0-300-210



Pendant uplighter 228 / 254

TYCOON SURFACE SURFACE MOUNT

TECHNICAL DATA



POWER SUPPLY	120V - 277V; 50/60Hz
DIFFUSION	Light amplifying micro-prism provides precise light distribution and glare control with minimal impact on luminaire efficiency
LUMINOUS POWER	Switchable or dimmable
LAMP COVER	Plastic
HOUSING MATERIAL	Steel / aluminium / plastic
HOUSING COLOR	Silver metallic

SPECIAL FEATURES

HIGH-PERFORMANCE SURFACE MOUNTED LUMINAIRE

- Designed to provide a sophisticated lighting solution for low ceiling applications not suitable for mounting pendant luminaires. Can also be wall-mounted to create unique light distribution effects

PROVIDES SUPERIOR TASK LIGHTING AT THE WORKSTATION

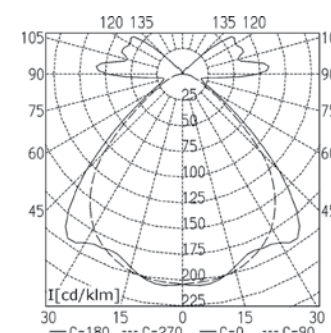
- With a 90° downlight distribution, Tycoon surface mount task offers superior task lighting with minimal luminaire depth

DIRECT POSITIONING OVER WORKSTATION

- Superior optical diffusion allows the luminaire to be positioned directly to the ceiling over the workstation

HIGH LIGHTING QUALITY

- Illumination is focused on the workstation and its requirements



DYD 228

ORDER NUMBERS

TYPE

ORDER NO.

DYD 228

LAMPING	2 x fluorescent lamp 28W T5
POWER CONSUMPTION	approx. 63W
LIGHT DISTRIBUTION	Symmetrical; direct portion approx. 90%, indirect portion approx. 10%

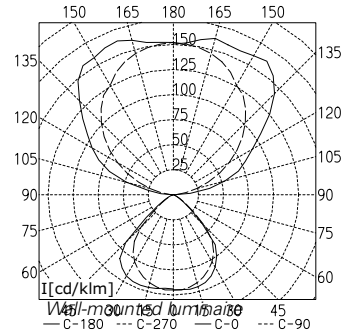
switchable	DYD 228	121 526 031
dig. dimmable DALI	DYD 228/D	121 526 032



Surface Mount 228

TYCOON WALL WALL MOUNT

TECHNICAL DATA



POWER SUPPLY	120V - 277V; 50/60 HZ
LAMPING:	2 x compact fluorescent lamp TC-L 55W
POWER CONSUMPTION	approx. 117W
DISTRIBUTION	Light amplifying micro-prism provides precise light distribution and glare control with minimal impact on luminaire efficiency
LUMINOUS POWER	Switchable or dimmable
HOUSING MATERIAL	Aluminium / plastic
HOUSING COLOR	Silver metallic
OPERATING EFFICIENCY	73%

SPECIAL FEATURES

HIGH ENERGY EFFICIENCY

- Very high efficiency of > 70% using innovative micro-prism optics
- Consumption values of approx. 1 watt per square foot or less depending on room or corridor configuration

PROVIDES SUPERIOR WALL MOUNTED DIRECT / INDIRECT LIGHTING

- Tycoon wall mount offers optimal illumination and superior lighting in corridor installations

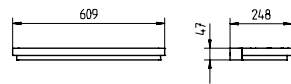
GLARE FREE ILLUMINATION ON THE WALL OR IN THE CORRIDOR USING MICRO-PRISM OPTICS

- Superior optics, allows the luminaire to be positioned on the wall with minimal glare and optimal lighting performance

HIGH QUALITY LIGHTING EFFECT IN CORRIDORS

- Positive ambient effect due to a high indirect portion of light (feeling of bright surroundings)
- Illumination is provided for the entire corridor or wall, both floor and ceiling

ORDER NUMBERS



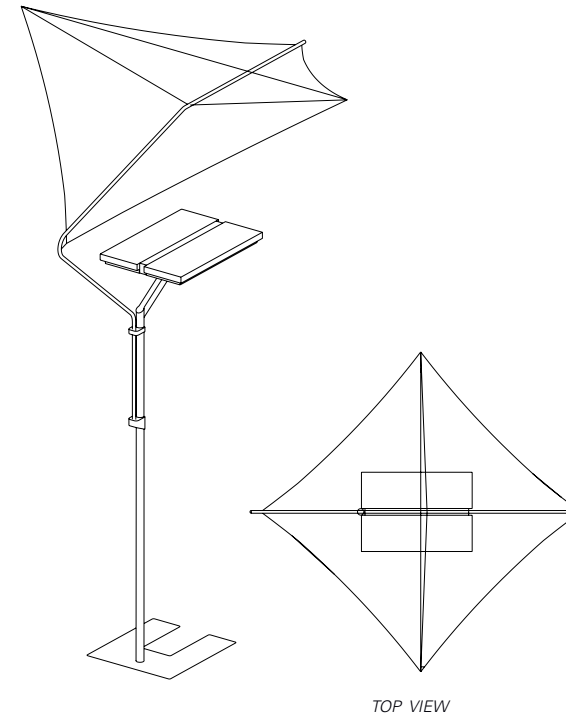
Wall-mounted luminaire

TYPE	ORDER NO.
LIGHT DISTRIBUTION	Symmetrical; direct (27%), indirect (73%)
DIFFUSION	Light amplifying micro-prism provides precise light distribution and glare control with minimal impact on luminaire efficiency
switchable	DYW 255 121 395 038
dig. dimmable DALI	DYW 255/D 121 396 038

TYCOON FAMILY ACCESSORIES

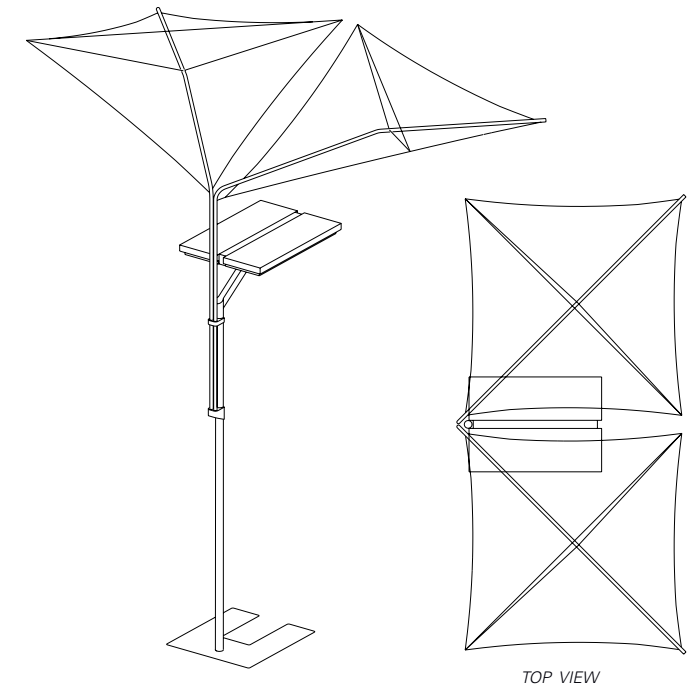
TYCOON SAIL SYSTEM FOR HIGH CEILING APPLICATIONS

NARROW LIGHT DISTRIBUTION SAIL SYSTEM



Size: 50 inches x 50 inches (125 cm x 125 cm)

WIDE LIGHT DISTRIBUTION SAIL SYSTEM



Size: Each panel is 40 inches x 40 inches (100 cm x 100 cm) x 2 panels

ORDER NUMBERS

TYPE	ORDER NO.
Narrow distribution sail panel w/pole	RX1-Z-125 225 565 039
Wide distribution sail panel w/pole* (*Must order 2 sail panels for complete 2 sail system)	RX1-M-100 225 565 019
Clamp for 1 sail system	191 107 019
Clamp for 2 sail system	191 106 019

WORLD HEADQUARTERS

Herbert Waldmann GmbH & Co. KG
Postfach 50 62
D-78057 Villingen-Schwenningen
Phone +49 7720 601-100
Fax +49 7720 601-290
www.waldmann.com
info@waldmann.com

FRANCE

Waldmann Eclairage S.A.S.
Z.I. Rue de l'Embranchement
F-67116 REICHSTETT
Adresse postale :
BP 23431 Reichstett
F-67455 MUNDOLSHEIM Cedex
Phone +33 (0) 388209588
Fax +33 (0) 388209568
www.waldmann.com
info-fr@waldmann.com

ITALY

Waldmann Illuminotecnica S.r.l.
Via della Pace, 18 A
IT-20098 San Giuliano Milanese (MI)
Phone +39 02 98 24 90 24
Fax +39 02 98 24 63 78
www.waldmann.com
info-it@waldmann.com

NETHERLANDS

Waldmann Lichttechniek BV
Lingewei 19
NL-4004 LK Tiel
Phone +31 (0) 344 - 631019
Fax +31 (0) 344 - 627856
www.waldmann.com
info-nl@waldmann.com

AUSTRIA

Waldmann Lichttechnik Ges.m.b.H.
Gewerbepark Wagram 7
AT-4061 Pasching/Linz
Phone +43 (0)722967400
Fax +43 (0)722967444
www.waldmann.com
info-at@waldmann.com

SWITZERLAND

Waldmann Lichttechnik GmbH
Benkenstasse 57
CH-5024 Küttigen
Phone +41 (0)62 839 1212
Fax +41 (0)62 839 1299
www.waldmann.com
info-ch@waldmann.com

UK

Waldmann Lighting Ltd.
Holme Well Road
Middleton
GB-Leeds LS 10 4TQ
West Yorkshire
Phone +44 1132775662
Fax +44 1132775775
www.waldmann.com
enquiries@waldmannlighting.co.uk

SWEDEN

Waldmann Ljusteknik AB
Skebokvarnsvägen 370
SE-124 50 Bandhagen
Phone +46 8 990 350
Fax +46 8 991 609
www.waldmann.se
hk@idecenter.se

CHINA

Waldmann Lighting (Shanghai) Co. Ltd.
Part A, No. Five Normative Workshop
199 Changjian Road, Baoshan
CN-Shanghai, P.R.C. 200949
Phone +86 21 5169-1799
Fax +86 21 3385-0032
www.waldmann.com
s.lo@waldmann.com.cn

USA

Waldmann Lighting Company
9, W. Century Drive
Wheeling, Illinois 60090, USA
Phone +1 847 520-1060
Fax +1 847 520-1730
www.waldmannlighting.com
waldmann@waldmannlighting.com

SINGAPORE

Waldmann Lighting Singapore Pte. Ltd.
Blk 168, Jalan Bukit Merah,
#04-09B, Connection One, Tower 3,
Singapore 150168
Phone +65 62758300
Fax +65 62758377
www.waldmann.com
sales@waldmann.com.sg