

Waldmann **W**

ENGINEER OF LIGHT.

NORTH AMERICA

TYCOON LIGHTING SERIES



TYCOON SERIES– A RANGE OF LUMINAIRES FOR A WIDE VARIETY OF LIGHTING CONCEPTS

LUMINAIRES DESIGNED WITH ELEGANCE AND PERFORMANCE

Waldmann's TYCOON product family presents a wide range of free-standing, suspended, surface-mounted and wall-mounted luminaires. It combines intelligent, innovative and energy-efficient lamp technology with contemporary design, subtly and discreetly integrating into any architectural style.

Intelligent and optimized, the TWIN-C lighting concepts by Waldmann provide the balance of energy efficiency and lighting comfort in one package. The focus is not only placed on the complete illumination of the room, but on the best illumination for a person's workplace, both ergonomically and economically.

TYCOON luminaires are the supporting pillars the TWIN-C concept. The trends in office design are supported by TYCOON luminaires in cubicles, open-space offices, corridors or conference rooms. This indirect/direct concept combine the efficiency of direct lighting with the pleasant ambient illumination of indirect light.





HIGH PERFORMANCE LIGHTING SOLUTIONS THAT CONSUME LESS ENERGY

RISING ENERGY COSTS, SUSTAINABLE DESIGN AND MODERN INTERIORS REQUIRE A NEW WAY OF THINKING

In the past, energy savings meant lower ambient light levels, Compromising visual comfort and lowering productivity. Today things are different. Waldmann demonstrates ways to lower energy costs while maintaining or increasing the level of lighting comfort and quality.

The possibility of saving energy through efficient lighting concepts in new buildings or renovations is frequently underestimated. On average, 22% of electrical costs in commercial buildings are attributed to lighting. In buildings that contain only offices, this percentage increases up to

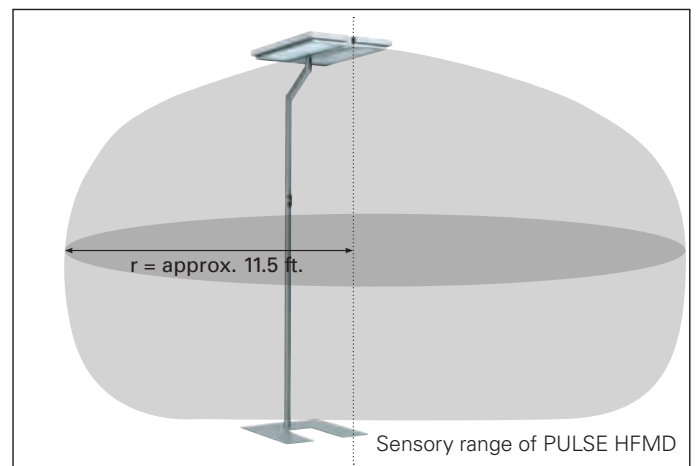
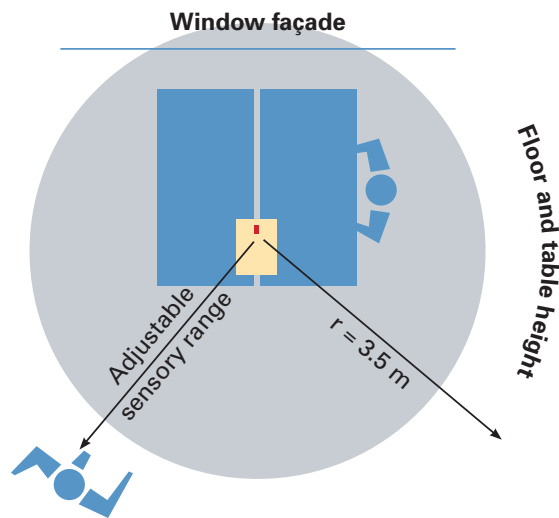
50%. It is critical to include lighting in the energy and efficiency cost analysis.



HIGH FREQUENCY MOTION DETECTION WITH WIDE SENSORY RANGE

PULSE HFMD

PULSE HFMD Room-Orientation:

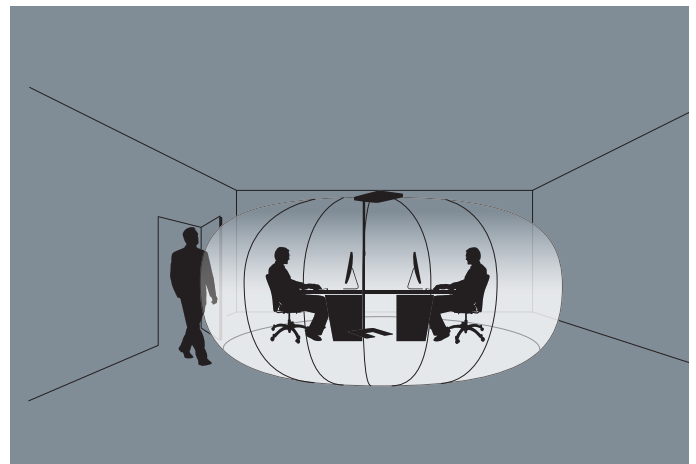
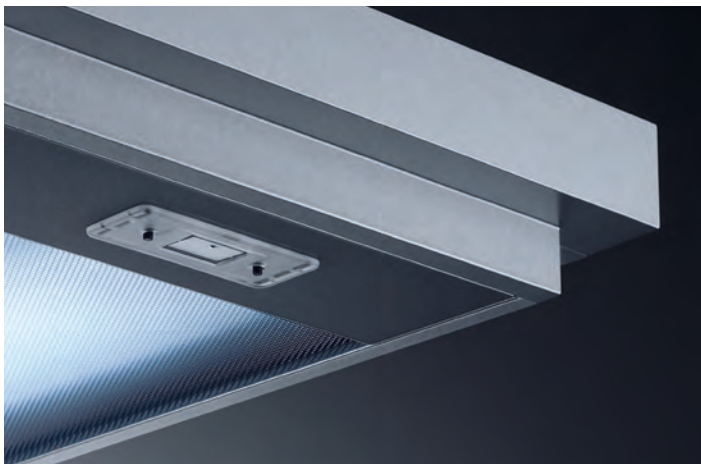


The optional PULSE HFMD (High Frequency Motion Detector) works together with intelligent lighting management of the luminaires and senses even the smallest movement within a definable range. This means that the luminaire detects whether someone is present or not, and turns on or off accordingly. At the same time, it

perceives the existing ambient light level and regulates the amount of light emitted depending upon the available daylight.

Due to high frequency motion detection, the HFMD sensor reacts to even the smallest movement within a radius of approximately 11.5 feet.

When an individual enters the room, the light activates automatically, then switches off when they leave. In addition, the HFMD sensor detects daylight as a gauge for adjusting the ambient light level. As a result, energy consumption can be considerably reduced by more than 50%.



TYCOON – FREE-STANDING AND DESK-MOUNTED LUMINAIRES

INTELLIGENCE MAKES LIFE EASY

The TYCOON free-standing luminaire is equipped with an integrated light management system. The Waldmann PULSE helps attain users reach their high energy efficiency goals without compromising quality of light or light levels.

Daylight and presence sensors cut energy costs by up to 50%. Since light is only switched on when the sensor registers a presence in the room and the daylight is no longer sufficient, users hardly notice the luminaires being switched on and off because the light is slowly brightened or dimmed. Furthermore, the sensor regulates the amount of lighting based on the level of daylight.

The PULSE light management system is available with both the fine-tuned high-frequency sensor HFMD and the passive infrared sensor.

TYCOON PULSE HFMD exchanges information with other systems, becoming part of intelligent building control.

INTELLIGENT OPERATION

The operating control pad element is situated at working height so as to reach it without standing up. It is extremely easy to operate and shows you the current output of your TYCOON. The communication with switchable sockets is also possible.



INTELLIGENT DESK CONNECTION

Save space and costs by mounting the TYCOON desk-mounted luminaire to furniture with integrated mounting options available.



INTELLIGENT CLEANING AND MAINTENANCE

Without tools, the side parts can be removed and the screen can be extracted. Subsequently, the lamps can easily be removed or the screen can be wiped clean.



INTELLIGENT ERGONOMICS

The slotted base, cleverly designed to fit around table legs, allows the user to position the luminaire as close as necessary for the task while maintaining outstanding stability and ergonomics.





TYCOON – DIRECT/INDIRECT PENDANTS

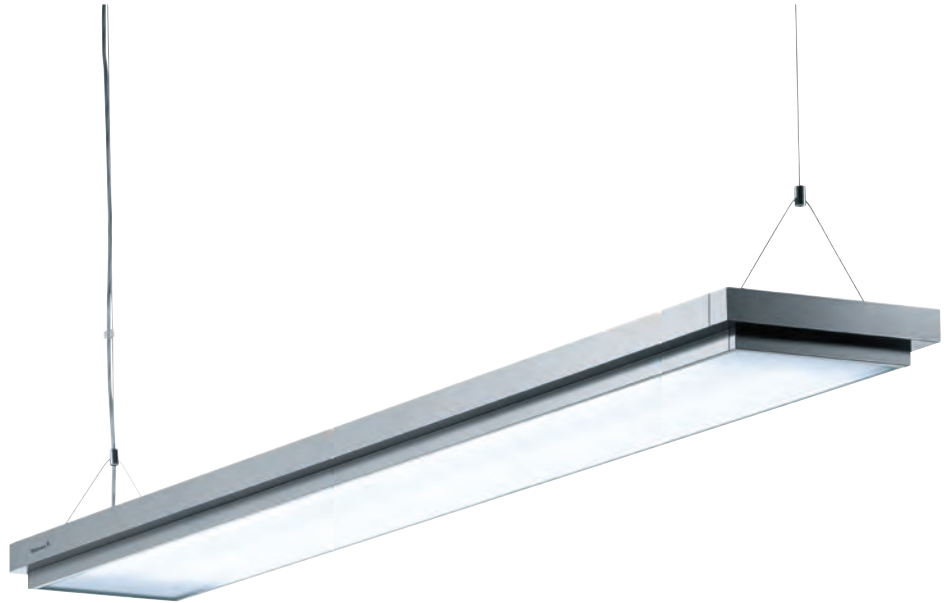
efficient *light*

THE SOLUTION FOR FLEXIBLE ROOM CONCEPTS

TYCOON pendants are a highly intelligent contribution to increasing energy efficiency. With their light-amplifying microprism and high-gloss reflectors, they generate efficiency of more than 90%. The result: fewer luminaires needed saving costs and energy.

Fitted with an intelligent light management system, TYCOON pendants control the amount of lighting based on the percentage of daylight. A further convenience: The luminaires can be controlled by using battery-free wireless technology.

TYCOON pendants score highly with projects in terms of their flexibility. The all-around glare control achieved by the use of the microprism lens enables axis-oriented positioning of the luminaire – at a 90° angle to the window front and directly above the workstation. Room divisions are also easier to arrange. Fitted with a multi-watt electronic ballast, TYCOON pendants allow the optional use of 28W or 54W lamps. The lighting level can also be adjusted to changes in room or workplace requirements.





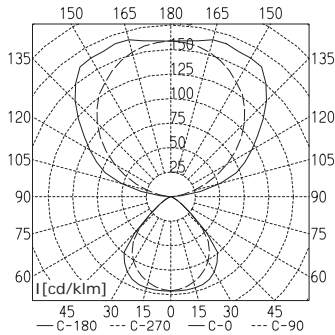
TYCOON FOUR-LAMP

FREESTANDING AND TABLE MOUNTED LUMINAIRE

TECHNICAL DATA



Freestanding luminaire/Table mounted luminaire



POWER SUPPLY	120V; 50/60 Hz
LAMPING	4 x compact fluorescent lamp TC-L 40W
POWER CONSUMPTION	approx. 175W
POWER CABLE	approx. 10 ft.; grounded 3-prong plug
HOUSING MATERIAL	Aluminium / plastic, silver metallic
LOWER ARM	Steel tube painted in silver metallic, angled
BASE	Slotted steel base, flat, painted in silver metallic, or table clamp
OPERATION	Multifunction switch in lower arm
OPERATING EFFICIENCY	74%
LIGHT DISTRIBUTION	Direct 27% / Indirect 73%
DIFFUSION	Light amplifying microprism provides precise light distribution and glare control with minimal impact on luminaire efficiency

SPECIAL FEATURES

- Integrated light sensor and presence detector PULSE HFMD (on type DYS 440/P and DYT 440/P)
- Sensitive response; inconspicuous control and dimming using the HFMD sensor (on type DYS 440/P and DYT 440/P)
- Two individually adjustable light levels
- Easy-to-reach multifunctional switch. (Can be connected to switched outlet)
- Luminaire head can be pivoted by +/- 90°
- Detachable side parts and diffuser panel for easy replacement of fluorescent lamps and cleaning
- Head connection can be pivoted by +/- 45°

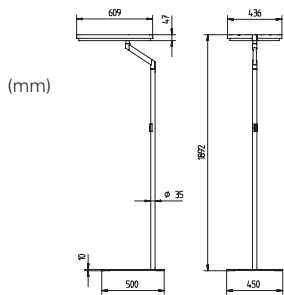
ORDER NUMBERS

FREESTANDING LUMINAIRES

TYPE	ORDER NO.
Freestanding luminaire switchable	DYS 440/2 121 525 008
Freestanding luminaire PULSE HFMD	DYS 440/P 121 390 038

TABLE MOUNTED LUMINAIRES

TYPE	ORDER NO.
Table mounted luminaire switchable	DYT 440/2 121 230 038
Table mounted luminaire PULSE HFMD	DYT 440/P 121 519 038



Freestanding luminaires
DYS 440/2, DYS 440/P

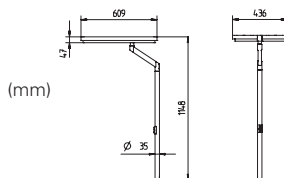


Table mounted luminaires
DYT 440/2, DYT 440/P

TYCOON TWO-LAMP

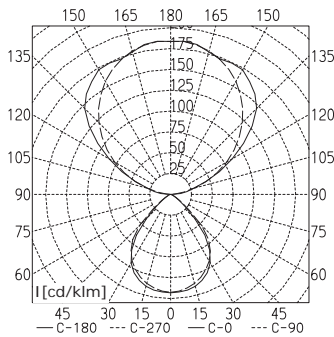
FREESTANDING AND TABLE MOUNTED LUMINAIRE

TECHNICAL DATA



Freestanding luminaire/Table mounted luminaire

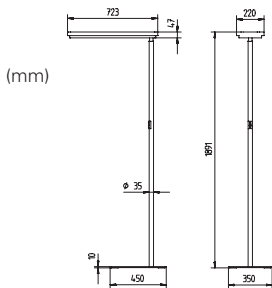
POWER SUPPLY	120V; 50/60 Hz
LAMPING	2 x compact fluorescent lamp TC-L 55W
POWER CONSUMPTION	approx. 119W
POWER CABLE	approx. 10 ft.; grounded 3-prong plug
HOUSING MATERIAL	Aluminium / plastic, silver metallic
LOWER ARM	Steel tube painted in silver metallic, straight
BASE	Square steel base, flat, painted in silver metallic, or table clamp
OPERATION	Multifunction switch in lower arm
OPERATING EFFICIENCY	74%
LIGHT DISTRIBUTION	Direct 27% / Indirect 73%
DIFFUSION	Light-amplifying micropism provides precise light distribution and glare control with minimal impact on luminaire efficiency



SPECIAL FEATURES

- Integrated light sensor and presence detector PULSE HFMD (on types DYS 255/P and DYT 255/P)
- Sensitive response; inconspicuous control and dimming using the HFMD sensor (on types DYS 255/P and DYT 255/P)
- Two individually adjustable light levels
- Easy-to-reach multifunctional switch (Can be connected to switched outlet)
- Luminaire head can be pivoted by +/- 90°
- Detachable side parts and diffuser panel for easy replacement of fluorescent lamps and cleaning

ORDER NUMBERS



Freestanding luminaires
DYS 255, DYS 255/P

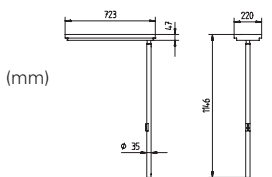


Table mounted luminaires
DYT 255, DYT 255/P

FREESTANDING LUMINAIRES

	TYPE	ORDER NO.
Freestanding luminaire switchable	DYS 255	121 438 038
Freestanding luminaire PULSE HFMD	DYS 255/P	121 436 038

TABLE MOUNTED LUMINAIRES

	TYPE	ORDER NO.
Table mounted luminaire switchable	DYT 255	121 448 038
Table mounted luminaire PULSE HFMD	DYT 255/P	121 446 038

TYCOON PENDANT

TWO-LAMP AND FOUR-LAMP TASK PENDANTS

TECHNICAL DATA



Two-lamp pendant



Four-lamp pendant

POWER SUPPLY	120V - 277V; 50/60 Hz
DIFFUSION	Light amplifying micro-prism provides precise light distribution and glare control with minimal impact on luminaire efficiency
LUMINOUS POWER	Switchable or dimmable
LAMP COVER	Plastic
HOUSING MATERIAL	Steel / aluminium / plastic
HOUSING COLOR	Silver metallic

SPECIAL FEATURES

HIGH ENERGY EFFICIENCY

- Efficiency > 90% using innovative microprism optics; Consumption approx. ≤1 watt per sq. ft.

PROVIDES BOTH AMBIENT AND TASK LIGHTING AT THE WORKSTATION

- Tycoon task pendant offers optimal illumination by providing both ambient and task light

DIRECT POSITIONING OVER WORKSTATION IS POSSIBLE

- Superior optical diffusion for minimal glare and optimal task lighting performance over workstation

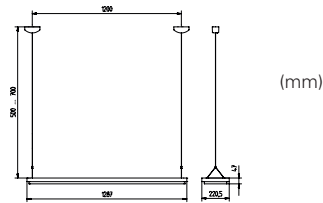
HIGH PERFORMANCE LIGHTING

- Strong ambient light due to 65% indirect light distribution; Comfortable 35% direct task light on the workstation

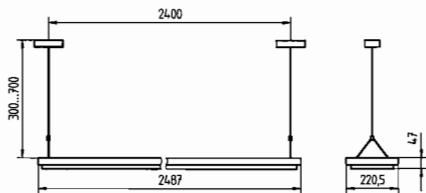
FLEXIBLE LIGHT LEVELS

- Luminaires can be specified with either 28W T5 or 54 WT5HO lamps for flexible adjustment of light levels

ORDER NUMBERS



Two-lamp pendants
DYP 228, DYP 228/D,
DYP 254, DYP 254/D



(mm)

Four-lamp pendant
DYP 454

*INSERT LETTER INTO PART NUMBER	Dimming Type
P	2 - wire dimming
L	3 - wire dimming
A	0 -10V dimming
G	Lutron EcoSystem
D	DALI
T	Step Dimming

TWO-LAMPTASK PENDANTS	TYPE	ORDER NO.
-----------------------	------	-----------

LAMPING	2 x fluorescent lamp 28W T5	
POWER CONSUMPTION	approx. 63W	
LIGHT DISTRIBUTION	Symmetrical; direct 35%, indirect 65%	
SWITCHABLE	DYP 228	121 454 038
DIMMABLE	DYP 228/D	121 456 *38
		* See Chart below left

LAMPING	2 x fluorescent lamp 54W T5HO	
POWER CONSUMPTION	119W	
LIGHT DISTRIBUTION	Symmetrical; direct 35%, indirect 65%	
SWITCHABLE	DYP 254	121 455 038
DIMMABLE	DYP 254/D	121 455 *38
		* See Chart below left

FOUR-LAMPTASK PENDANTS	TYPE	ORDER NO.
------------------------	------	-----------

LAMPING	4 x fluorescent lamp 54W T5	
POWER CONSUMPTION	238W	
LIGHT DISTRIBUTION	Symmetrical; direct 35%, indirect 65%	
SWITCHABLE	DYP 454	121459008-00531913

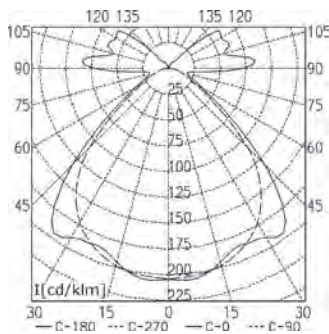
ACCESSORIES

Alternative flush mount canopy kit w/power cord feed hole	US0 300 200
Alternative flush mount canopy kit w/o power cord feed hole	US0 300 210

TYCOON CEILING

CEILING MOUNTED

TECHNICAL DATA



Ceiling mounted luminaire

POWER SUPPLY	120V - 277V; 50/60Hz
DIFFUSION	Light amplifying microprism provides precise light distribution and glare control with minimal impact on luminaire efficiency
LUMINOUS POWER	Switchable or dimmable
LAMP COVER	Plastic
HOUSING MATERIAL	Steel / aluminium / plastic
HOUSING COLOR	Silver metallic

SPECIAL FEATURES

HIGH-PERFORMANCE CEILING MOUNTED LUMINAIRE

- Designed to provide a sophisticated lighting solution for low ceiling applications not suitable for mounting pendant luminaires. Can also be wall-mounted to create unique light distribution effects

PROVIDES SUPERIOR TASK LIGHTING AT THE WORKSTATION

- With a 90% downlight distribution, Tycoon surface mount task offers superior task lighting with minimal luminaire depth

DIRECT POSITIONING OVER WORKSTATION

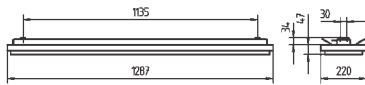
- Superior optical diffusion allows the luminaire to be positioned directly to the ceiling over the workstation

HIGH LIGHTING QUALITY

- Illumination is focused on the workstation and its requirements

ORDER NUMBERS

CEILING MOUNTED LUMINAIRES	TYPE	ORDER NO.
----------------------------	------	-----------



(mm)

Ceiling mounted luminaires
DYD 228, DYD 228/D

LAMPING	2 x fluorescent lamp 28W T5
POWER CONSUMPTION	approx. 63W
LIGHT DISTRIBUTION	Symmetrical; direct portion approx. 90%, indirect portion approx. 10%

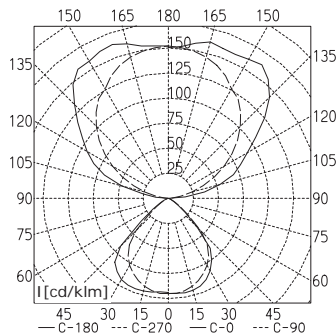
SWITCHABLE	DYD 228	121 526 031
DIMMABLE	DYD 228/D	121 526 *31
		* See Chart below

*INSERT LETTER INTO PART NUMBER	Dimming Type
P	2 - wire dimming
L	3 - wire dimming
A	0 -10V dimming
G	Lutron EcoSystem
D	DALI
T	Step Dimming

TYCOON WALL

WALL MOUNTED

TECHNICAL DATA



Wall mounted luminaire

POWER SUPPLY	120V - 277V; 50/60 Hz
LAMPING	2 x compact fluorescent lamp TC-L 55W
POWER CONSUMPTION	approx. 117W
DIFFUSION	Light amplifying micro-prism provides precise light distribution and glare control with minimal impact on luminaire efficiency
LUMINOUS POWER	Switchable or dimmable
HOUSING MATERIAL	Aluminium / plastic
HOUSING COLOR	Silver metallic
OPERATING EFFICIENCY	73%

SPECIAL FEATURES

HIGH ENERGY EFFICIENCY

- Very high efficiency of > 70% using innovative micro-prism optics
- Consumption values of approx. 1 watt per square foot or less depending on room or corridor configuration

PROVIDES SUPERIOR WALL MOUNTED DIRECT / INDIRECT LIGHTING

- Tycoon wall mount offers optimal illumination and superior lighting in corridor installations

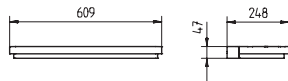
GLARE FREE ILLUMINATION ON THE WALL OR IN THE CORRIDOR USING MICROPRISM OPTICS

- Superior optics allows the luminaire to be positioned on the wall with minimal glare and optimal lighting performance

HIGH QUALITY LIGHTING EFFECT IN CORRIDORS

- Positive ambient effect due to a high indirect portion of light (feeling of bright surroundings)
- Illumination is provided for the entire corridor or wall, both floor and ceiling

ORDER NUMBERS

Wall mounted luminaires
DYW255, DYW255/D

WALL MOUNTED LUMINAIRES	TYPE	ORDER NO.
LIGHT DISTRIBUTION	Symmetrical; direct (27%), indirect (73%)	
DIFFUSION	Light amplifying micro-prism provides precise light distribution and glare control with minimal impact on luminaire efficiency	
SWITCHABLE	DYW 255	121 395 038
DIMMABLE	DYW 255/D	121 395 *38
		* See Chart below

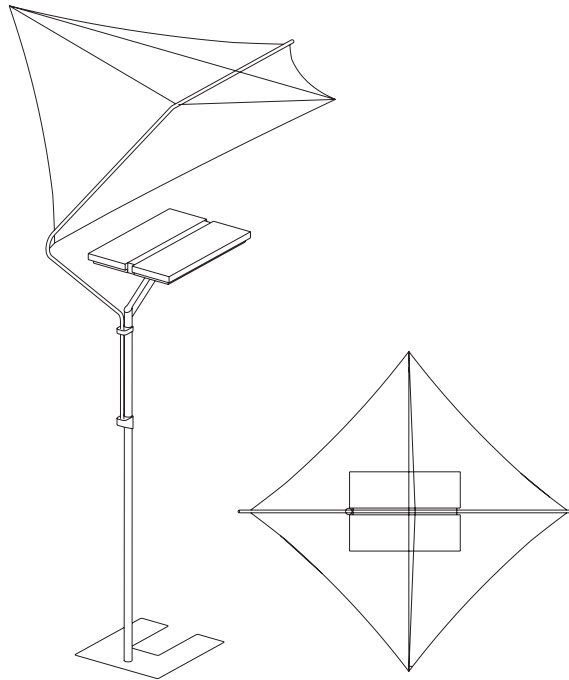
*INSERT LETTER INTO PART NUMBER	Dimming Type
P	2 - wire dimming
L	3 - wire dimming
A	0 -10V dimming
G	Lutron EcoSystem
D	DALI
T	Step Dimming

TYCOON SAIL

ACCESSORIES

TYCOON SAIL SYSTEM FOR HIGH CEILING APPLICATIONS

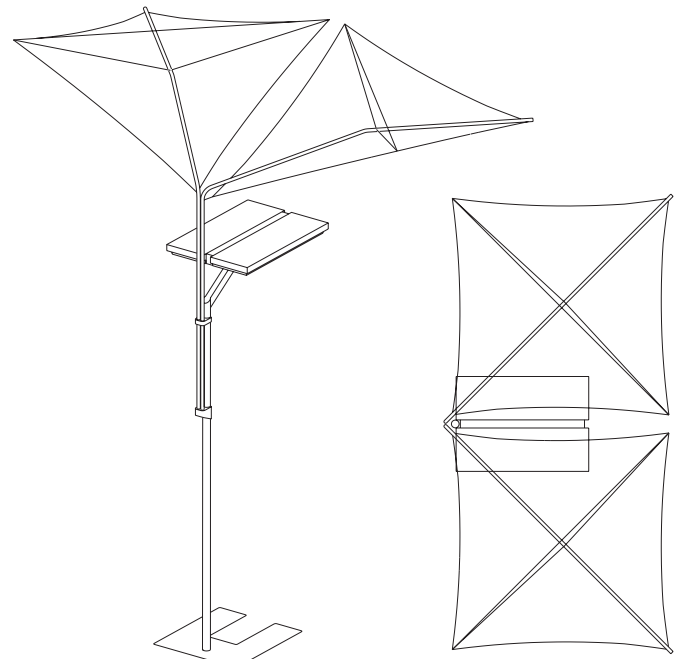
NARROW LIGHT DISTRIBUTION SAIL SYSTEM



Top view

Size: 50 inches x 50 inches (125 cm x 125 cm)

WIDE LIGHT DISTRIBUTION SAIL SYSTEM



Top view

Size: Each panel is 40 inches x 40 inches (100 cm x 100 cm) x 2 panels

ORDER NUMBERS	TYPE	ORDER NO.
	Narrow distribution sail panel w/pole	RX1-Z-125 225 565 039
	Wide distribution sail panel w/pole*	RX1-M-100 225 565 019
	(*Must order 2 sail panels for complete 2 sail system)	
	Clamp for 1 sail system	191 107 019
	Clamp for 2 sail system	191 106 019

USA

Waldmann Lighting Company
9, W. Century Drive
Wheeling, Illinois 60090, USA
Phone +1 847 520-1060
Fax +1 847 520-1730
Toll Free +1 800 634 0007
www.waldmannlighting.com
waldmann@waldmannlighting.com

FRANCE

Waldmann Eclairage S.A.S.
Z.I. Rue de l'Embranchement
F-67116 REICHSTETT
Adresse postale :
BP 23431 Reichstett
F-67455 MUNDOLSHEIM Cedex
Phone +33 (0) 388209588
Fax +33 (0) 388209568
www.waldmann.com
info-fr@waldmann.com

ITALY

Waldmann Illuminotecnica S.r.l.
Via della Pace, 18 A
IT-20098 San Giuliano Milanese (MI)
Phone +39 02 98 24 90 24
Fax +39 02 98 24 63 78
www.waldmann.com
info-it@waldmann.com

NETHERLANDS

Waldmann Lichttechnik BV
Lingewei 19
NL-4004 LK Tiel
Phone +31 (0) 344 - 631019
Fax +31 (0) 344 - 627856
www.waldmann.com
info-nl@waldmann.com

AUSTRIA

Waldmann Lichttechnik Ges.m.b.H.
Gewerbepark Wagram 7
AT-4061 Pasching/Linz
Phone +43 (0)722967400
Fax +43 (0)722967444
www.waldmann.com
info-at@waldmann.com

SWITZERLAND

Waldmann Lichttechnik GmbH
Benkenstasse 57
CH-5024 Küttigen
Phone +41 (0)62 839 1212
Fax +41 (0)62 839 1299
www.waldmann.com
info-ch@waldmann.com

UK

Waldmann Lighting Ltd.
Holme Well Road
Middleton
GB-Leeds LS 10 4TQ
West Yorkshire
Phone +44 1132775662
Fax +44 1132775775
www.waldmann.com
enquiries@waldmannlighting.co.uk

CHINA

Waldmann Lighting (Shanghai) Co. Ltd.
Part A, No. Five Normative Workshop
199 Changjian Road, Baoshan
CN-Shanghai, P.R.C. 200949
Phone +86 21 5169-1799
Fax +86 21 3385-0032
www.waldmann.com
s.lo@waldmann.com.cn

GERMANY

Herbert Waldmann GmbH & Co. KG
Postfach 50 62
D-78057 Villingen-Schwenningen
Phone +49 7720 601-100
Fax +49 7720 601-290
www.waldmann.com
info@waldmann.com

SINGAPORE

Waldmann Lighting Singapore Pte. Ltd.
Blk 168, Jalan Bukit Merah,
#04-09B, Connection One, Tower 3,
Singapore 150168
Phone +65 62758300
Fax +65 62758377
www.waldmann.com
sales@waldmann.com.sg

SWEDEN

Waldmann Ljusteknik AB
Skebokvarnsvägen 370
SE-124 50 Bandhagen
Phone +46 8 990 350
Fax +46 8 991 609
www.waldmann.se
hk@idecenter.se