

Derungs 
MEDICAL LIGHTING

Waldmann 
ENGINEER OF LIGHT.

Dmed® **Triango**

LED UNIVERSAL PROCEDURE LIGHT


LED



PRODUCT INFORMATION

D^{med}® **Triango**

D^{med}® **Triango 30 C**

LED technology has revolutionized the art of equipment design for the medical sector.

The D^{med}® **Triango** brings this innovative technology to the procedure & exam area. With its advanced thermal management system, integrated dimming controls, brilliant light output, and compact housing, the Triango meets the stringent requirements of both hospital designers and practitioners.

**Uniform illumination
for work area**

High intensity light
55,000 lux/ 1 meter

Glare-free
To combat eye fatigue

Unparalleled color rendering
Color Rendering Index (CRI) > 95

Easy to clean
The removable handle can be sterilized
and closed construction of the fixture
allows for easy cleaning





Long lamp life
Swiss engineering
and LED technology

Ergonomically friendly
For ease of use

One-hand height adjustment

**Heat directed away from
physician and patient**

More than 50% energy-saving
Thanks to efficient LEDs

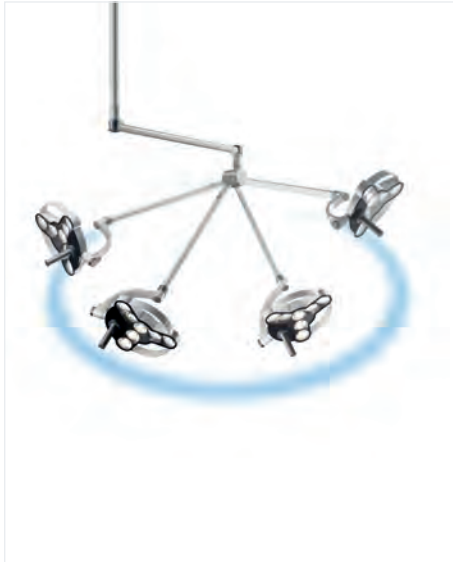
Dimming
Rotary switch easily accessible

Maintenance-free
No light source replacement
for service life



PRODUCT ADVANTAGES

D^{med}® **Triango**



MOBILITY AND FUNCTION

LED technology gives high performance lighting for the procedure area. Triango's intricate design and robust materials also allow for a broad range of movement and easy positioning of the fixture.

D^{med}® **Triango** is available in two versions.

Ceiling Mount:

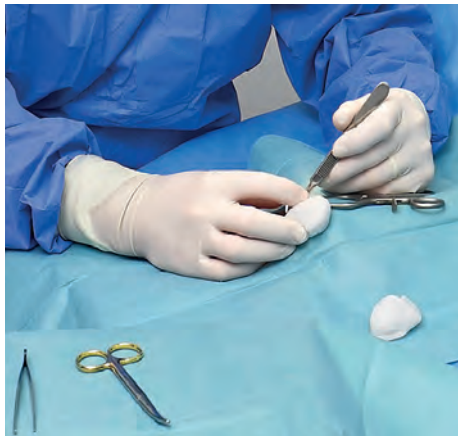
The ceiling mount can be a space saver, especially in rooms where maximum freedom of movement is required.

Floor Stand:

Taking the Triango mobile with the rolling floor stand offers flexibility for various areas of the room or even for sharing among several areas.

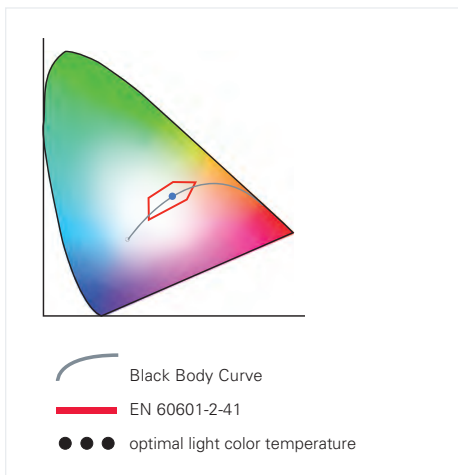
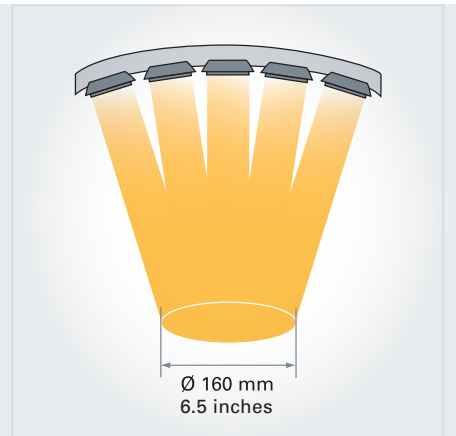
Wall Mount:

The option of a wall mounted version is also available - please consult factory.



EVEN ILLUMINATION OF THE AREA

The unique optic developed by Derungs ensures an optimum light field. The illuminated area meets the highest technical lighting requirements for treatment lights. The reflection-, shadow- and glare-free lighting generates an ideal field of vision specific to close work.



COLOR RENDERING

Triango offers the optimum in color rendering with Ra > 95 and R9 > 90. This allows for clear recognition of any issues involved within the tissue.



— Black Body Curve
— EN 60601-2-41
● ● ● optimal light color temperature





MAINTENANCE-FREE

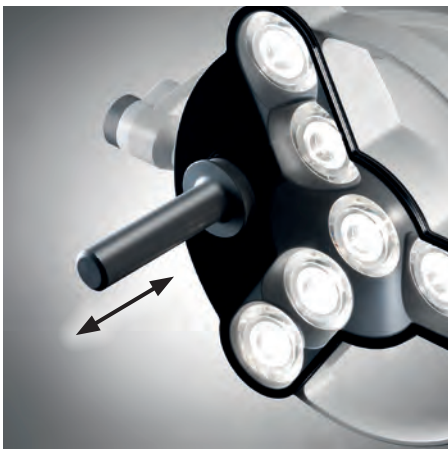
LED technology allows for long periods of maintenance-free usage. No service for bulb replacement necessary for the life of the fixture.

- Long lamp life of 30,000 hours

CLEANING AND STERILIZATION

Its closed construction and smooth surface allows for quick, thorough cleaning. In addition, any penetration of dust, dirt or liquids is prevented. The removable handle is easy to sterilize.

- Removable and sterilizable handle



HIGH-QUALITY COMPONENTS

High quality components guarantee a strong, user-friendly luminaire. Derungs uses only top of the line materials to garner maximum benefits from its product.

Luminaire body:

Polycarbonate & acrylonitrile-butadiene-styrene copolymer (PC & ABS)

Lens Cover:

Polymethyl methacrylate (PMMA)

An ABR-GL abrasion-proof coating makes the lens cover scratch proof.

EASY SET UP

Setting up the floor stand requires one person, installation of the ceiling-mounted version requires two people.

SERVICE

In case of defect, the complete luminaire head is sent back to the factory and replaced in a timely manner.



ILLUMINATION / LIGHT INTENSITY REGULATION

Easy operation: One control switches the light on/off and dims with five light levels, providing the practitioner with the quick, convenient control necessary when many different procedures are being done during the course of the day.

GLARE-FREE

The light beam is focused and thus glare-free, whatever the angle of sight. This avoids all bothersome reflections on the surface.

- Continuously dimmable from 100% - 10%
- 55,000 lux/39.5in (1m)
- Illuminated area 6.5in (160mm)
- CRI > 95
- Glare-free
- Shadow and reflection-free

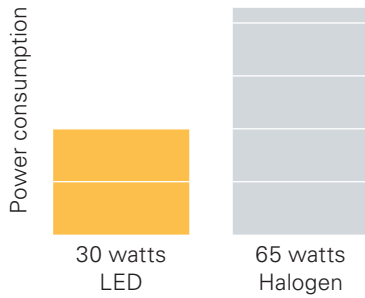


COMFORTABLE OPERATION

The triango is ergonomically designed for comfort and ease of operation. The rotary switch is conveniently located on the luminaire head. The handle is shaped to lie comfortably in the operator's hand. The compact construction allows for freedom of movement in a crowded room.







OPERATING COSTS REDUCED TO A MINIMUM

No maintenance required: no light source replacement, no wearing of parts, reducing operating costs significantly. Universal converter 100-240 volts: can be used in all countries.

IMPROVED ENERGY EFFICIENCY

Notable energy savings is gained thanks to the most up-to-date LED technology: high illumination using only 30 watts of power. If lower light levels are necessary, power consumption will be even less.

efficient *light*



NO RADIATION OF HEAT

An ideal working environment for physicians – the light emitted by LEDs contains almost no infrared or UV radiation. Thus no heat emanates from the light to the elevating the level of comfort for patient and practitioner. This prevents tissue from drying out or being affected by the heat, greatly facilitating specific procedures. Any heat generated by the light is directed to the rear of the fixture head, allowing for any necessary

adjustments to be made to the fixture without worry.



GOOD WORKING CONDITIONS

Out of necessity, a procedure light is often positioned in close proximity to patient and staff. Glare and heat can easily exacerbate headaches and fatigue. Optics are used to provide a work space free of shadows, reflections and glare.

The heat generated by the LEDs is directed to the rear of the luminaire head. No cooling fan is necessary: Effectively reducing distractions by lowering the level of ambient noise in the working environment.



SAFETY / STANDARDS

D^{med}® **Triango** meets or exceeds the following certified requirements:

EN 60601-1
Medical electrical equipment.
General requirements for basic safety and essential performance.

EN 60601-1-2
Electromagnetic compatibility (EMC)

EN 60601-1-6
Usability

EN 60601-2-41
Medical electrical equipment
Particular requirements for the safety of surgical luminaires and luminaires for diagnosis.

PRODUCT OVERVIEW / TECHNICAL DATA

D^{med}® Triango 30 C

TECHNICAL DATA

LAMPING	1 x LED
LUMINOUS POWER	55,000 lux / 39.5 in (1 m)
LUMINATED FIELD	Ø 6.5 in (16 cm)
COLOR TEMPERATURE	Approx. 4500K
OPERATING DEVICE	Electronic converter
POWER SUPPLY	Direct power supply
LUMINAIRE BODY	Polycarbonate & acrylonitrile butadiene styrene copolymer (PC &ABS)
WEIGHT (NET)	Approx. 29 lbs (13.0 kg)
POWER CONSUMPTION	Approx. 30W
BALANCE OF ARTICULATION JOINTS	Spring (weight compensation)
CLASS OF PROTECTION	I
ACCESSORIES	Sterilizable handle, adapter for suspended ceiling mounting
IEC STANDARDS MET	EN 60601-1, EN 60601-2-41
SPECIAL FEATURES	Sterilizable handle, continuously dimmable, maintenance free
MOUNTING	Ceiling mount, when mounting ceiling tube could be cut to length 30-120 cm, intermediate ceiling adapter (on request)
PROTECTION RATING	IP43
ORDER NUMBER	Please Note: Order number assigned at time of order/quote according to ceiling height requirements

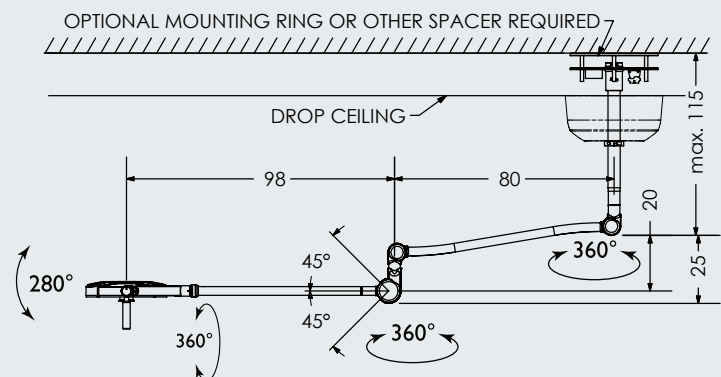
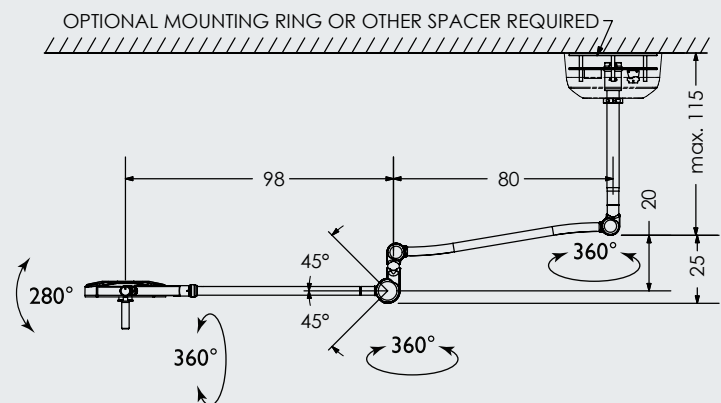
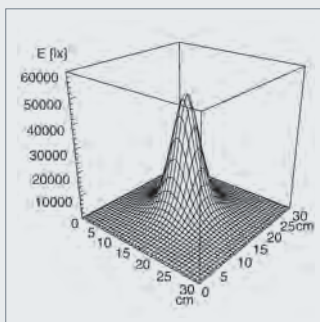
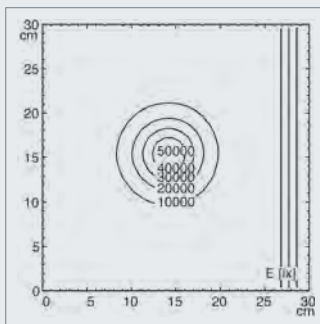


Wall mount version also available – please consult factory

LIGHT DISTRIBUTION

TECHNICAL DRAWING

mm



PRODUCT OVERVIEW / TECHNICAL DATA

D^{med}® Triango 30 F

TECHNICAL DATA

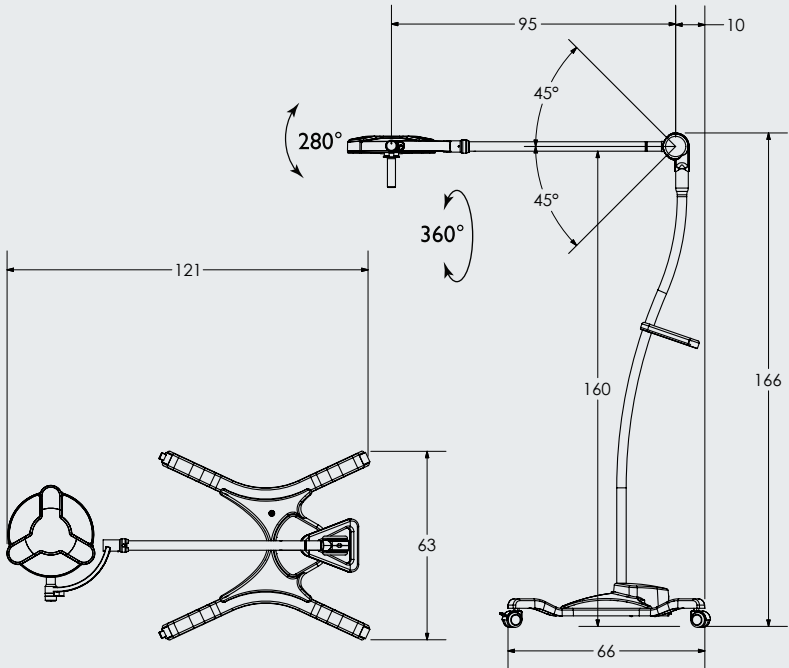
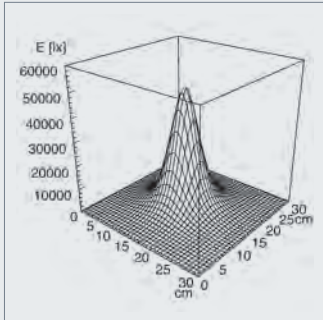
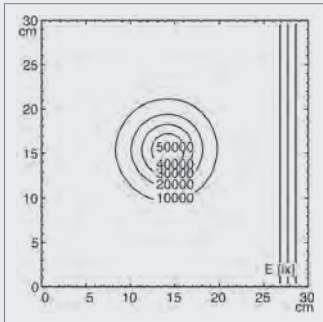
LAMPING	1 x LED
LUMINOUS POWER	55,000 lux / 39.5 in (1 m)
LUMINATED FIELD	Ø 6.5 in (16 cm)
COLOR TEMPERATURE	Approx. 4500K
OPERATING DEVICE	Electronic converter
POWER SUPPLY	Approx. 10 ft (3 m)
LUMINAIRE BODY	Polycarbonate & acrylonitrile butadiene styrene copolymer (PC &ABS)
WEIGHT (NET)	Approx. 20.0 kg
POWER CONSUMPTION	Approx. 30W
BALANCE OF ARTICULATION JOINTS	Spring (weight compensation)
CLASS OF PROTECTION	I
IEC STANDARDS MET	EN 60601-1, EN 60601-2-41
SPECIAL FEATURES	Sterilizable handle, continuously dimmable, maintenance free
MOUNTING	Floor stand
SYSTEM OF PROTECTION	IP43
ORDER NUMBER	D15.174.100

Wall mount version also available – please consult factory



LIGHT DISTRIBUTION TECHNICAL DRAWING

mm



USA

Waldmann Lighting Company
9, W. Century Drive
Wheeling, Illinois 60090, USA
Phone +1 847 520-1060
Fax +1 847 520-1730
Toll Free +1 800 634 0007
www.waldmannlighting.com
waldmann@waldmannlighting.com

FRANCE

Waldmann Eclairage S.A.S.
Z.I. Rue de l'Embranchement
F-67116 REICHSTETT
Adresse postale :
BP 23431 Reichstett
F-67455 MUNDOLSHEIM Cedex
Phone +33 (0) 388209588
Fax +33 (0) 388209568
www.waldmann.com
info-fr@waldmann.com

ITALY

Waldmann Illuminotecnica S.r.l.
Via della Pace, 18 A
IT-20098 San Giuliano Milanese (MI)
Phone +39 02 98 24 90 24
Fax +39 02 98 24 63 78
www.waldmann.com
info-it@waldmann.com

NETHERLANDS

Waldmann Lichttechnik BV
Lingewei 19
NL-4004 LK Tiel
Phone +31 (0) 344 - 631019
Fax +31 (0) 344 - 627856
www.waldmann.com
info-nl@waldmann.com

AUSTRIA

Waldmann Lichttechnik Ges.m.b.H.
Gewerbepark Wagram 7
AT-4061 Pasching/Linz
Phone +43 (0)722967400
Fax +43 (0)722967444
www.waldmann.com
info-at@waldmann.com

SWITZERLAND

Waldmann Lichttechnik GmbH
Benkenstasse 57
CH-5024 Küttigen
Phone +41 (0)62 839 1212
Fax +41 (0)62 839 1299
www.waldmann.com
info-ch@waldmann.com

UK

Waldmann Lighting Ltd.
Holme Well Road
Middleton
GB-Leeds LS 10 4TQ
West Yorkshire
Phone +44 1132775662
Fax +44 1132775775
www.waldmann.com
enquiries@waldmannlighting.co.uk

CHINA

Waldmann Lighting (Shanghai) Co. Ltd.
Part A, No. Five Normative Workshop
199 Changjian Road, Baoshan
CN-Shanghai, P.R.C. 200949
Phone +86 21 5169-1799
Fax +86 21 3385-0032
www.waldmann.com
s.lo@waldmann.com.cn

GERMANY

Herbert Waldmann GmbH & Co. KG
Postfach 50 62
D-78057 Villingen-Schwenningen
Phone +49 7720 601-100
Fax +49 7720 601-290
www.waldmann.com
info@waldmann.com

SINGAPORE

Waldmann Lighting Singapore Pte. Ltd.
Blk 168, Jalan Bukit Merah,
#04-09B, Connection One, Tower 3,
Singapore 150168
Phone +65 62758300
Fax +65 62758377
www.waldmann.com
sales@waldmann.com.sg

SWEDEN

Waldmann Ljusteknik AB
Skebokvarnsvägen 370
SE-124 50 Bandhagen
Phone +46 8 990 350
Fax +46 8 991 609
www.waldmann.se
hk@idecenter.se