

Waldmann **W**

ENGINEER OF LIGHT.

NORTH AMERICA

TAMETO | WORKSTATION LUMINAIRES



LED





TAMETO ERGONOMIC WORKSTATION LIGHTING

Effective lighting is crucial for employee health and safety

Waldmann's TAMETO is designed to offer broad, bright light output for workbenches and assembly workstations. It reduces glare, eye strain and fatigue, providing a comfortable work environment for long workdays. Strong, sleek and minimalistic, the TAMETO has a closed design suitable for cleanroom applications. Available in LED and T5 fluorescent versions, the extremely long lamp life and 60% energy savings make the TAMETO the perfect complement to a busy workplace

- Various lengths for different bench widths and lighting requirements
- Up to 60% energy savings and up to 40% higher illuminance when compared to conventional CFL lamps
- LED or T5 fluorescent lamp options with a service life of up to 50,000 hours (LED) or 24,000 hours (fluorescent)
- Fixed or suspended installation options available
- Minimal heat generation
- Continuously dimmable with memory function (dimming versions only)
- Through-wiring available for electrical daisy-chaining of several luminaires
- Integrated T-slots allow direct installation into truss type workstations
- Closed design for cleanroom applications
- Extremely strong aluminum housing
- Plug-in power cord, 120V 50/60 Hz
- Premium workmanship in accordance with Waldmann's quality standards

The right design for easy integration

With a choice of state-of-the-art LED lighting technology or T5 fluorescent lamps, TAMETO enhances production areas, labs or any workstation that requires wide, bright, even illumination. It is visually unobtrusive with an industrial design aesthetic and flat construction that compliments industrial workstations. With end-to-end light along the entire length of the luminaire, TAMETO eliminates dark spots typically found in the socket areas of fluorescent luminaires. The symmetrical profile design offers complete flexibility when selecting the

correct switch position for luminaire operation. The cleverly designed end caps enable the path of the cable to remain flexible and accessible, providing simple access to lamps, screens or louvers. With its wide selection of mounting options, TAMETO can be installed anywhere wide area light distribution is needed. From our compact, side-mounted luminaires to our full-size, adjustable workstation luminaire, TAMETO can be configured to solve even the most difficult requirements. Our full-size TAMETO adjustable luminaire allows precise adjustment of the luminaire in the vertical

plane, allowing the user to increase light intensity and focus. With its unique, sealed housing design, no dust or dirt particles can penetrate the housing. Even when using parabolic louvers in conjunction with T5 fluorescent lamps, the housing can be sealed with an additional clear screen located behind the louver (accessories). Both integrated T-slots on the back of the luminaire open up a wide range of connection and mounting options. Whether using a T5 fluorescent lamp or LED technology, the physical appearance and functionality of the luminaire remains consistent.



TAMETO ONE LIGHTING CONCEPT – COUNTLESS POSSIBILITIES

The right lighting solution to meet your objectives

When illuminating a workplace with newer technology, the priority is usually placed on either low initial investment or low cost during the service life cycle. TAMETO provides the opportunity to satisfy both: it is available with the option of either state-of-the-art T5 fluorescent lamps or the newest LED technology.

T5 luminaires deliver a low initial investment and energy savings of 45%, with 40% higher illuminance in comparison to conventional luminaires with compact fluorescent lamps. The service life of this lamp type is up to 24,000 hours. However, LED luminaires have significantly lower costs over the course of their life cycle with a service life of up to 50,000 hours and further reduced power consumption of 15%.

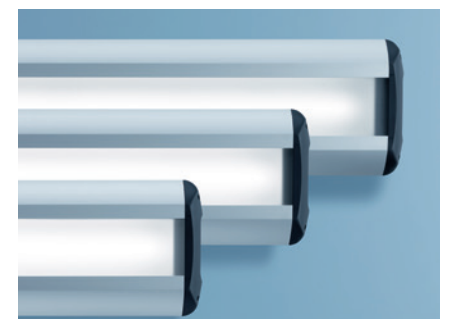
At the same time, Waldmann's Light Forming Technology in the LED luminaires ensures uniform and glare-free light.



The right luminaire for your workstation

TAMETO is available for both fixed and suspended connection above a table. In addition, there is a luminaire available that can be installed laterally in the table system. This makes multiple combinations available for an ideal lighting solution.

But TAMETO offers much more flexibility: both the fixed and suspended luminaires are available in different lengths to customize the appropriate light distribution for the application. Fixed versions are available in 800 lux, 1250 lux and 1700 lux versions, suspended luminaires are available in 1250 lux and 1700 lux versions.





Flexible Connection – Simple Integration

The luminaire for fixed connection can be flexibly mounted on aluminum profiles, (round) pipes and C-rails using both of the integrated T-slots on the back or the supplied mounting frames. Special versions are available with 23 inch, 35 inch and 47 inch lengths for accurate-to-measurement installations.

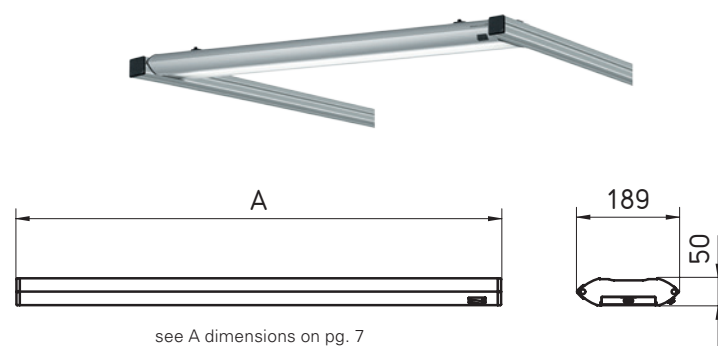
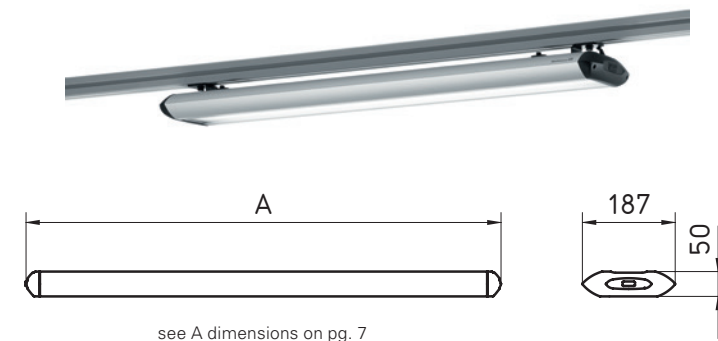
Connection to daisy-chained workstations is made easier using through-wired versions.

efficient *light*

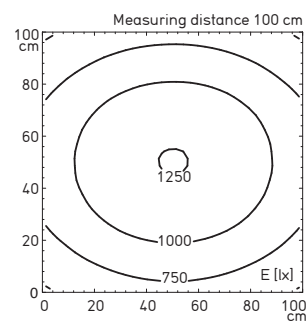
TECHNICAL DATA

Features at a glance

- T5 fluorescent lamp or 2, 3 or 4 x LED
- Color temperature 4000K
- Glare-free clear prismatic lens or aluminumized parabolic louvre (T5 fluorescent version only)
- Anodized aluminium housing with PMMA lens
- Installation options with mounting bracket or T-slots (8mm)
- With on/off switch or continuously dimmable
- IP20 protection rating, Class of protection I
- 10 ft (3 m) power cord and shock-proof plug included or Wieland GST18/3 plug/bushing (through-wired versions)
- Accessories:
C-Rail Mounting Brackets (Pair)



Optional C-Rail Mounting Bracket



Illuminance based on the example of 33W LED

ORDERING INFORMATION

LED 120V, 50/60Hz

OUTPUT	DIMENSIONS	DIMMING	THROUGH-WIRED	OPTIC	E_m/E_{max}^*	MODEL	PART #
23 W LED	A = 26 in. (656 mm)			Clear prismatic lens	592/808 lx ¹	SAHQ 44	112 971 000 - 005 513 37
23 W LED	A = 26 in. (656 mm)		•	Clear prismatic lens	592/808 lx ¹	SAHQ 44 D	112 971 000 - 005 555 76
23 W LED	A = 26 in. (656 mm)	•		Clear prismatic lens	592/808 lx ¹	SAHQ 44 R	112 972 000 - 005 513 40
23 W LED	A = 26 in. (656 mm)	•	•	Clear prismatic lens	592/808 lx ¹	SAHQ 44 RD	112 972 000 - 005 555 80
23 W LED	A = 23.5 in. (599 mm)		•	Clear prismatic lens	592/808 lx ¹	SAHQ 44 D	113 034 000 - 005 776 11
23 W LED	A = 23.5 in. (599 mm)	•	•	Clear prismatic lens	592/808 lx ¹	SAHQ 44 RD	113 036 000 - 005 776 14
33 W LED	A = 37.6 in. (956 mm)			Clear prismatic lens	922/1,254 lx ¹	SAHQ 66	112 975 000 - 005 556 19
33 W LED	A = 37.6 in. (956 mm)		•	Clear prismatic lens	922/1,254 lx ¹	SAHQ 66 D	112 975 000 - 005 556 28
33 W LED	A = 37.6 in. (956 mm)	•		Clear prismatic lens	922/1,254 lx ¹	SAHQ 66 R	112 976 000 - 005 513 52
33 W LED	A = 37.6 in. (956 mm)	•	•	Clear prismatic lens	922/1,254 lx ¹	SAHQ 66 RD	112 976 000 - 005 556 31
33 W LED	A = 35.4 in. (899 mm)		•	Clear prismatic lens	922/1,254 lx ¹	SAHQ 66 D	113 036 000 - 005 776 17
33 W LED	A = 35.4 in. (899 mm)	•	•	Clear prismatic lens	922/1,254 lx ¹	SAHQ 66 RD	113 037 000 - 005 776 20
43 W LED	A = 50 in. (1,256 mm)			Clear prismatic lens	1,139/1,509 lx ¹	SAHQ 88	112 979 000 - 005 556 77
43 W LED	A = 50 in. (1,256 mm)		•	Clear prismatic lens	1,139/1,509 lx ¹	SAHQ 88 D	112 979 000 - 005 556 94
43 W LED	A = 50 in. (1,256 mm)	•		Clear prismatic lens	1,139/1,509 lx ¹	SAHQ 88 R	112 980 000 - 005 513 64
43 W LED	A = 50 in. (1,256 mm)	•	•	Clear prismatic lens	1,139/1,509 lx ¹	SAHQ 88 RD	112 980 000 - 005 556 97
43 W LED	A = 47.2 in. (1,199 mm)		•	Clear prismatic lens	1,139/1,509 lx ¹	SAHQ 88 D	113 038 000 - 005 776 23
43 W LED	A = 47.2 in. (1,199 mm)	•	•	Clear prismatic lens	1,139/1,509 lx ¹	SAHQ 88 RD	113 039 000 - 005 776 26

T5 FLUORESCENT 120V, 50/60Hz

OUTPUT	DIMENSIONS	DIMMING	THROUGH-WIRED	OPTIC	E_m/E_{max}^*	MODEL	PART #
1 x 24 WT5	A = 26 in. (656 mm)			Clear prismatic lens	499/685 lx ¹	SAH 124	112 969 000 - 005 506 62
1 x 24 WT5	A = 26 in. (656 mm)			Parabolic louvre	408/567 lx ¹	SAH 124	112 969 000 - 005 558 04
1 x 24 WT5	A = 26 in. (656 mm)		•	Clear prismatic lens	499/685 lx ¹	SAH 124 D	112 969 000 - 005 558 07
1 x 24 WT5	A = 26 in. (656 mm)		•	Parabolic louvre	408/567 lx ¹	SAH 124 D	112 969 000 - 005 558 10
1 x 24 WT5	A = 26 in. (656 mm)	•		Clear prismatic lens	499/685 lx ¹	SAH 124 R	112 970 000 - 005 558 14
1 x 24 WT5	A = 26 in. (656 mm)	•		Parabolic louvre	408/567 lx ¹	SAH 124 R	112 970 000 - 005 558 17
1 x 24 WT5	A = 26 in. (656 mm)	•	•	Clear prismatic lens	499/685 lx ¹	SAH 124 RD	112 970 000 - 005 558 20
1 x 24 WT5	A = 26 in. (656 mm)	•	•	Parabolic louvre	408/567 lx ¹	SAH 124 RD	112 970 000 - 005 558 23
1 x 24 WT5	A = 23.5 in. (599 mm)		•	Clear prismatic lens	499/685 lx ¹	SAH 124 D	113 029 000 - 005 775 95
1 x 24 WT5	A = 23.5 in. (599 mm)	•	•	Clear prismatic lens	499/685 lx ¹	SAH 124 RD	113 030 000 - 005 775 99
1 x 39 WT5	A = 37.6 in. (956 mm)			Clear prismatic lens	915/1,229 lx ¹	SAH 139	112 973 000 - 005 560 29
1 x 39 WT5	A = 37.6 in. (956 mm)			Parabolic louvre	734/1,000 lx ¹	SAH 139	112 973 000 - 005 560 20
1 x 39 WT5	A = 37.6 in. (956 mm)	•		Clear prismatic lens	915/1,229 lx ¹	SAH 139 D	112 973 000 - 005 560 23
1 x 39 WT5	A = 37.6 in. (956 mm)	•	•	Parabolic louvre	734/1,000 lx ¹	SAH 139 D	112 973 000 - 005 560 26
1 x 39 WT5	A = 37.6 in. (956 mm)	•		Clear prismatic lens	915/1,229 lx ¹	SAH 139 R	112 974 000 - 005 561 46
1 x 39 WT5	A = 37.6 in. (956 mm)	•		Parabolic louvre	734/1,000 lx ¹	SAH 139 R	112 974 000 - 005 561 49
1 x 39 WT5	A = 37.6 in. (956 mm)	•	•	Clear prismatic lens	915/1,229 lx ¹	SAH 139 RD	112 974 000 - 005 561 52
1 x 39 WT5	A = 37.6 in. (956 mm)	•	•	Parabolic louvre	734/1,000 lx ¹	SAH 139 RD	112 974 000 - 005 561 55
1 x 39 WT5	A = 35.4 in. (899 mm)		•	Clear prismatic lens	915/1,229 lx ¹	SAH 139 D	113 024 000 - 005 684 47
1 x 39 WT5	A = 35.4 in. (899 mm)	•	•	Clear prismatic lens	915/1,229 lx ¹	SAH 139 RD	113 031 000 - 005 776 02
1 x 54 WT5	A = 50 in. (1256 mm)			Clear prismatic lens	1,270/1,709 lx ¹	SAH 154	112 977 000 - 005 561 83
1 x 54 WT5	A = 50 in. (1256 mm)			Parabolic louvre	1,014/1,371 lx ¹	SAH 154	112 977 000 - 005 561 74
1 x 54 WT5	A = 50 in. (1256 mm)		•	Clear prismatic lens	1,270/1,709 lx ¹	SAH 154 D	112 977 000 - 005 561 77
1 x 54 WT5	A = 50 in. (1256 mm)		•	Parabolic louvre	1,014/1,371 lx ¹	SAH 154 D	112 977 000 - 005 561 80
1 x 54 WT5	A = 50 in. (1256 mm)	•		Clear prismatic lens	1,270/1,709 lx ¹	SAH 154 R	112 978 000 - 005 561 86
1 x 54 WT5	A = 50 in. (1256 mm)	•		Parabolic louvre	1,014/1,371 lx ¹	SAH 154 R	112 978 000 - 005 561 89
1 x 54 WT5	A = 50 in. (1256 mm)	•	•	Clear prismatic lens	1,270/1,709 lx ¹	SAH 154 RD	112 978 000 - 005 561 92
1 x 54 WT5	A = 50 in. (1256 mm)	•	•	Parabolic louvre	1,014/1,371 lx ¹	SAH 154 RD	112 978 000 - 005 561 95
1 x 54 WT5	A = 47.2 in. (1199 mm)		•	Clear prismatic lens	1,270/1,709 lx ¹	SAH 154 D	113 032 000 - 005 776 05
1 x 54 WT16	A = 47.2 in. (1199 mm)	•	•	Clear prismatic lens	1,270/1,709 lx ¹	SAH 154 RD	113 033 000 - 005 776 08

ACCESSORIES

TYPE	DESCRIPTION	PART #
Optional Mounting Brackets	Adjustable Installation C-Rails, Black (Pair)	408 001 586 - 005 780 88

* E_m =Medium illuminance; E_{max} =Maximum illuminance, ¹ Measuring range 100 x 100 cm / Measuring distance 100 cm



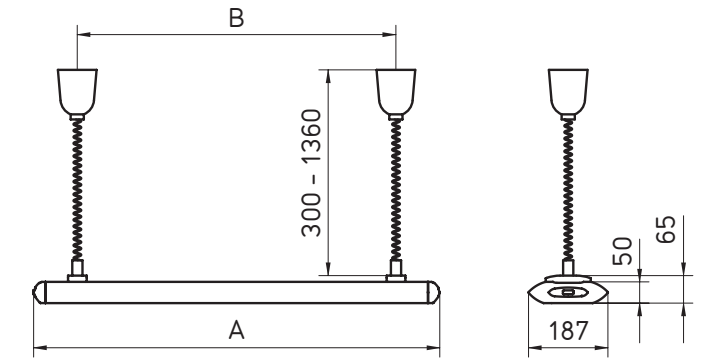
TAMETO CREATING AN ERGONOMIC WORKSTATION



Individually adjustable – Maximum ergonomics

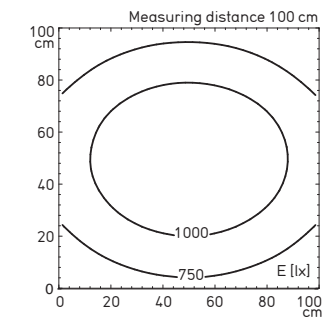
The adjustable TAMETO luminaire is ideal for integrated workstations, requiring luminaire height adjustment. The luminaire is very easy to position and the retractable cable system allows height adjustment from 12 to 54 inches in length. The luminaire can quickly and easily be adjusted at an optimal height for different people, as well as the visual task at hand. This adjustability can also help in situations where a much higher light level is needed by bringing the luminaire much closer to the object being illuminated. Together with glare-free optics, TAMETO is an outstanding workstation luminaire.

TECHNICAL DATA



Features at a glance

- T5 fluorescent lamp or 3 or 4 x LED lamps
- Color temperature neutral white 4000K
- Glare-free thanks to the clear prismatic lens or aluminized parabolic louver(T5)
- Housing made of silver anodized aluminium and black plastic, screen made of PMMA or parabolic louver made of ABS
- Integration by means of a counterweight pendant with an extension length of 12 in - 54 in (0.3 m – 1.36 m)
- With on/off switch or continuously dimmable
- System of protection IP20, class of protection I
- Supplied without connecting cable
- Accessories:
Clear PMMA screen
to insert above the parabolic louver



Illuminance based on the example of 1x39 WT16 with conical prismatic screen

LED 120V, 50/60 HZ

OUTPUT	DIMENSIONS	DIMMING	OPTIC	E_m / E_{max}^*	MODEL	PART#
33 W LED	A = 37.6 in. (956 mm), B = 30 in (750 mm)		Clear prismatic lens	922/1,254 lx ¹	SAHZQ 66	112 983 000 - 005 513 73
33 W LED	A = 37.6 in. (956 mm), B = 30 in (750 mm)	•	Clear prismatic lens	922/1,254 lx ¹	SAHZQ 66 R	112 984 000 - 005 513 77
43 W LED	A = 49.45 in. (1256 mm), B = 41.33 in. (1050 mm)		Clear prismatic lens	1,139/1,509 lx ¹	SAHZQ 88	112 987 000 - 005 513 86
43 W LED	A = 49.45 in. (1256 mm), B = 41.33 in. (1050 mm)	•	Clear prismatic lens	1,139/1,509 lx ¹	SAHZQ 88 R	112 988 000 - 005 513 89

T5 FLUORESCENT 120V, 50/60 HZ

OUTPUT	DIMENSIONS	DIMMING	OPTIC	E_m / E_{max}^*	MODEL	PART #
1 x 39 WT5	A = 37.6 in. (956 mm), B = 30 in (750 mm)		Clear prismatic lens	915/1,229 lx ¹	SAHZ 139	112 981 000 - 005 513 67
1 x 39 WT5	A = 37.6 in. (956 mm), B = 30 in (750 mm)		Parabolic louver	734/1,000 lx ¹	SAHZ 139	112 981 000 - 005 557 00
1 x 39 WT5	A = 37.6 in. (956 mm), B = 30 in (750 mm)	•	Clear prismatic lens	915/1,229 lx ¹	SAHZ 139 R	112 982 000 - 005 513 70
1 x 39 WT5	A = 37.6 in. (956 mm), B = 30 in (750 mm)	•	Parabolic louver	734/1,000 lx ¹	SAHZ 139 R	112 982 000 - 005 557 03
1 x 54 WT5	A = 49.45 in. (1256 mm), B = 41.33 in. (1050 mm)		Clear prismatic lens	1,270/1,709 lx ¹	SAHZ 154	112 985 000 - 005 513 80
1 x 54 WT5	A = 49.45 in. (1256 mm), B = 41.33 in. (1050 mm)		Parabolic louver	1,014/1,371 lx ¹	SAHZ 154	112 985 000 - 005 557 06
1 x 54 WT5	A = 49.45 in. (1256 mm), B = 41.33 in. (1050 mm)	•	Clear prismatic lens	1,270/1,709 lx ¹	SAHZ 154 R	112 986 000 - 005 513 83
1 x 54 WT5	A = 49.45 in. (1256 mm), B = 41.33 in. (1050 mm)	•	Parabolic louver	1,014/1,371 lx ¹	SAHZ 154 R	112 986 000 - 005 557 09

ACCESSORIES

TYPE	DESCRIPTION	PART #
Clear PMMA Screen	910 mm lens for use with louver	336 748 030 - 005 509 16
Clear PMMA Screen	1210 mm lens for use with louver	336 748 040 - 005 517 12

* E_m = Medium illuminance; E_{max} = Maximum illuminance; ¹ Measuring range 100 cm x 100 cm / Measuring distance 100 cm



TAMETO EXTRA LIGHT FOR IMPRESSIVE RESULTS



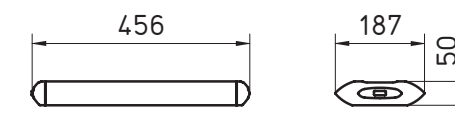
Additional light – effective lighting

The luminaires for lateral mounting are mounted at the desired height and at the desired angle of illumination on the vertical pillars of the system work station using the supplied mounting brackets.

Depending on which luminaires are switched on, completely shadow-free illumination or a desired shadow effect can be produced. This can, for example, make fine surface irregularities visible.

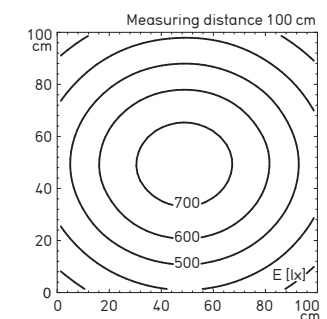
Lateral luminaires are also suitable if more light is needed for certain visual tasks.

TECHNICAL DATA



Features at a glance

- 2 x LED lamps
- Color temperature neutral white 4000K
- Glare-free optics thanks to a clear prismatic lens
- Housing made of colorless anodized aluminium and black plastic, screen made of PMMA
- Mounting bracket included for easy integration
- With switch
- System of protection IP20, class of protection I
- Supplied with 10 ft (3 m) connecting cable and shockproof plug
- Accessories:
Additional bracket for an assembly on the top crossbeam that can be rotated



Illuminance based on the example of 23 W LED

120 V, 50/60 HZ

OUTPUT	DIMENSIONS	DIMMING	OPTIC	E_m/E_{max}^*	MODEL	PART #
23 W LED	18 in. (456 mm)		Clear prismatic lens	520/744 lx ¹	SAHKQ 60	112 989 000 - 005 513 92

ACCESSORIES

TYPE	DESCRIPTION	PART #
Optional Mounting Bracket	Adjustable bracket for crossbeam mounting)	408 001 917 - 005 612 05

* E_m = Medium illuminance; E_{max} = Maximum illuminance; ¹ Measuring range 100 cm x 100 cm / Measuring distance 100 cm; ** Available starting in mid 2013.

HEADQUARTERS GERMANY

Herbert Waldmann GmbH & Co. KG
Postfach 50 62
78057 VILLINGEN-SCHWENNINGEN
GERMANY
Telephone +49 7720 601-100
Fax +49 7720 601-290
www.waldmann.com
sales.germany@waldmann.com

FRANCE

Waldmann Eclairage S.A.S.
Zone Industrielle
Rue de l'Embranchement
67116 REICHSTETT
FRANCE
Telephone +33 3 88 20 95 88
Fax +33 3 88 20 95 68
www.waldmann.com
info-fr@waldmann.com

ITALY

Waldmann Illuminotecnica S.r.l.
Via della Pace, 18 A
20098 SAN GIULIANO MILANESE (MI)
ITALY
Telephone +39 02 98 24 90 24
Fax +39 02 98 24 63 78
www.waldmann.com
info-it@waldmann.com

THE NETHERLANDS

Waldmann B.V.
Lingewei 19
4004 LK TIEL
THE NETHERLANDS
Telephone +31 344 631019
Fax +31 344 627856
www.waldmann.com
info-nl@waldmann.com

AUSTRIA

Waldmann Lichttechnik Ges.m.b.H.
Gewerbepark Wagram 7
4061 PASCHING/LINZ
AUSTRIA
Telephone +43 7229 67400
Fax +43 7229 67444
www.waldmann.com
info-at@waldmann.com

SWEDEN

Waldmann Ljusteknik AB
Skebokvarnsvägen 370
124 50 BANDHAGEN
SWEDEN
Telephone +46 8 990 350
Fax +46 8 991 609
www.waldmann.com
info-se@waldmann.com

SWITZERLAND

Waldmann Lichttechnik GmbH
Benkenstrasse 57
5024 KÜTTIGEN
SWITZERLAND
Telephone +41 62 839 1212
Fax +41 62 839 1299
www.waldmann.com
info-ch@waldmann.com

UNITED KINGDOM

Waldmann Lighting Ltd.
Holme Well Road
Middleton
LEEDS LS 10 4TQ
WEST YORKSHIRE
UNITED KINGDOM
Telephone +44 113 2775662
Fax +44 113 2775775
www.waldmann.com
enquiries@waldmannlighting.co.uk

USA

Waldmann Lighting Company
9, W. Century Drive
WHEELING, ILLINOIS 60090
USA
Telephone +1 847 520 1060
Toll Free +1 800 634 0007
Fax +1 847 520 1730
www.waldmannlighting.com
waldmann@waldmannlighting.com

CHINA

Waldmann Lighting Shanghai Pte. Ltd.
Part A, No. Five Normative Workshop
199 Changjian Road, Baoshan
SHANGHAI, P.R.C. 200949
CHINA
Telephone +86 21 5169 1799
Fax +86 21 3385 0032
www.waldmann.com
info@waldmann.com.cn

SINGAPORE

Waldmann Lighting Singapore Pte. Ltd.
168, Jalan Bukit Merah, #04-09B,
Connection One, Tower 3
SINGAPORE 150168
SINGAPORE
Telephone +65 6275 8300
Fax +65 6275 8377
www.waldmann.com
sales-sg@waldmann.com

INDIA

Waldmann Lighting Pvt. Ltd.
Plot No. 52
Udyog Vihar
Phase-VI, Sector-37
GURGAON-122001, Haryana
INDIA
Telephone +91 124 412 1600
Fax +91 124 412 1611
www.waldmann.com
sales-in@waldmann.com