

Waldmann **W**

ENGINEER OF LIGHT.

NORTH AMERICA

SPOT LED 003 | PLUG + LIGHT



PLUG + LIGHT.

The new Waldmann SPOT LED 003

Innovative LED lighting technology for the most demanding environments

“Plug + Light” - Waldmann Lighting’s SPOT LED 003 is a technologically advanced, waterproof LED luminaire designed for the most demanding production and machining environments. With innovative LED technology, proven product quality and an industrial grade design, the SPOT LED 003 provides years of bright, maintenance-free illumination precisely where you need it.

What makes the new SPOT LED 003 so exceptional? The intelligent circuit board technology, specifically developed and manufactured by Waldmann, incorporates all functions into one complete lighting package. The SPOT LED 003 is the most durable and convenient lighting solution in the marketplace.

Simply connect to any AC or DC 24V power supply, regardless of polarity, and the SPOT LED 003 technology does all the work. The ingenious electronic engineering allows voltage fluctuations of 16-40 Volts DC or 14-30 Volts AC while guaranteeing a uniform light output of up to 300 lumens.

The SPOT LED 003 also assures reliable waterproof performance in any environment. High luminous power with low power consumption and an extremely long service life, all in a very compact package - LED technology is without question the lighting technology of the future.

Using the latest LUXEON® K2 LED lamps, the SPOT LED 003 is generating a consistently high quality of illumination with a service life of 50,000 hours (that’s approx. 6 years of continuous operation) - this light source is maintenance-free. Also, since LED illumination is generated in the high frequency range of 300kHz, any difficult stroboscopic effect is eliminated allowing the SPOT LED 003 to be used in any modern industrial application or where safety is a concern.

Another advantage of the SPOT LED 003, critical in any work area, is its low heat output. The intelligent circuit board directs the heat onto the hardened aluminum housing, allowing only a cool beam of light to be generated outward and extending the life of the LUXEON® K2 LED lamp.

This world-class design, with its hardened glass lens, withstands heat, flying metal chips and other hostile conditions. In addition, it resists aggressive coolants and lubricants using nitrile rubber (NBR) seals.

The luminaire housing is made of hardened aluminum, making the surface extremely resistant to heat, corrosion and mechanical stress. These features and more make the SPOT LED 003 a truly innovative, efficient and maintenance-free lighting solution for the industrial workplace.

All LUXEON® SPOT LED 003 components are manufactured to the highest standards consistent with all Waldmann products, using only the strongest quality materials.

The SPOT LED 003 is available in a number of popular styles, including an ARTICULATING ARM, GOOSE-NECK and PIVOTING HEAD, as well as SURFACE and FLUSH MOUNTED versions. For optimal lighting conditions, high reliability and a high level of energy efficiency, the SPOT LED 003 is the ideal task light for all industrial workplace environments.



SPOT LED 003 - PRODUCT OFFERING



ARTICULATING ARM

- Maximum working radius of 32”
- Fully adjustable arm
- 5-axis arm movement

Pages 6-7



GOOSE-NECK ARM

- Working radius of 24”
- Quick, precise positioning
- Strong and durable arm

Pages 8-9



PIVOTING HEAD

- Ideal for permanent integration in machines
- Maximum versatility through pivoting head joint
- Adjustable, space-saving design

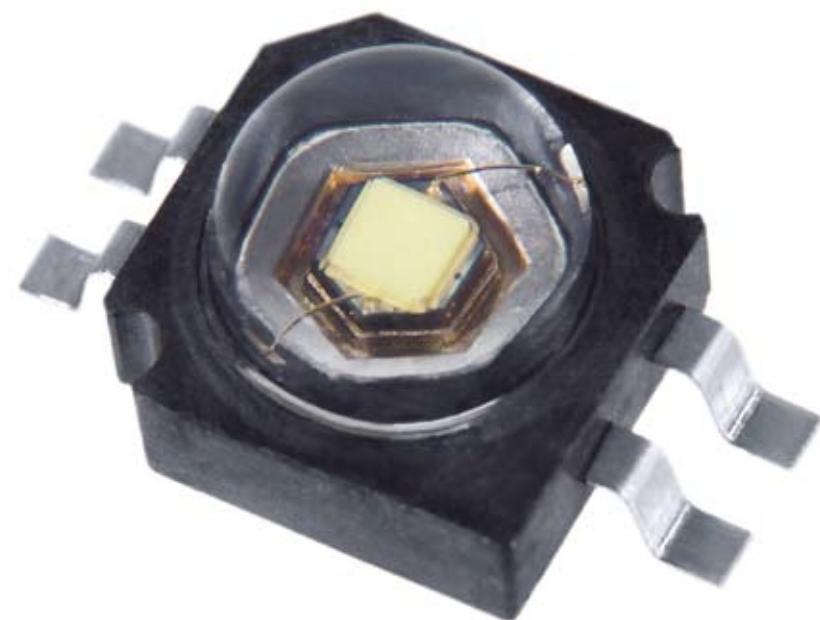
Pages 10-11



SURFACE MOUNT / FLUSH MOUNT

- Ideal for permanent integration in machines
- Easy integration and low installation costs
- Low profile, space-saving design

Pages 12-13



LUXEON® K2 EMITTER

LED - THE LIGHTING ELEMENT OF THE FUTURE

With high luminous power, an extremely long service life, low power consumption and very compact dimensions, LED technology is the lighting technology of the future. With the tremendous growth of the LED as a light source used in signalling, automotive and decorative applications, the first family of functional LED lighting solutions for the workplace is now available from Waldmann.

As one of the leading innovators of functional LED lighting, Waldmann now offers a complete range of high-quality luminaires based on LED technology. At the heart of the new Waldmann SPOT LED 003 luminaire is a newly developed circuit board that intelligently compensates for voltage fluctuations and an integral thermal management system for optimal LED performance. Installation is easy with a variety of mounting options and accessories.

The SPOT LED 003 is available with either narrow spot or wide flood optics, depending on the application. The use of the latest LUXEON® K2 LED lamps guarantees a consistently high quality of illumination over a service life of up to 50,000 hours or 6 years of continuous operation.

These new LUXEON® K2 LEDs generate minimal heat in the direction of the light beam and are not affected by vibrations or movement, so they are well suited for the precise illumination required in industrial workplaces. An important advantage for the industrial work environment is the high color temperature of the LED source, which promotes concentration and precision. This results in improved safety and better productivity for machine operators.

The Waldmann SPOT LED 003 is the most technologically advanced, highest quality LED industrial tool and machine luminaire available today.

SPOT LED 003 - FEATURES AND BENEFITS



INTELLIGENT DESIGN FOR DIRECT CONNECTION TO 24-VOLT POWER SUPPLY (AC OR DC CURRENT)


- Integrated operating device
- Automatic adjustment of polarity
- Quick and error-free installation



NO STROBOSCOPIC EFFECT

- Light generated at high frequency (300 kHz)
- Improved safety for operator
- Even, flicker-free illumination

Top photo: stroboscopic effect from standard illumination
Bottom photo: stroboscopic effect using SPOT LED 003



NEGLIGIBLE HEAT GENERATED IN THE DIRECTION OF THE LIGHT BEAM

- No adhesion of coolants or lubricants on the luminaire
- Consistently high level of illuminance
- Minimal thermal impact on components

SPOT LED 003 – ARTICULATING ARM

The SPOT LED 003 ARTICULATING ARM has a maximum working radius of 32" and is designed for larger work areas and machines where precise, flexible luminaire positioning is essential. It easily covers larger distances, ensuring ideal lighting conditions and flexibility in the work area. A smooth motion intermediate joint with disc springs allows quick and precise positioning. The additional joint on the base of the luminaire provides even more flexibility.

With Waldmann's world-class LED technology, arm design, mounting options, and accessories, positioning the SPOT LED 003 to the work surface is precise and effortless. The SPOT LED 003 ARTICULATING ARM provides maximum adjustability and function for years of precise lighting on the work surface or machine.

TECHNICAL DATA

ARTICULATING ARM

FOR COMMON TECHNICAL DATA SEE THE FOLDOUT PAGE AT THE BACK OF THE BROCHURE.

FITTED WITH	3 x 3 watts
OPERATION	with switch (versions without switch available upon request)

CONNECTED LOAD	BEAM ANGLE	TECHNOLOGY	SYSTEM OF PROTECTION*	MODEL	ORDER NO.
100-240 V, 50/60 Hz	10°	plug-in transformer	IP40 (IP65)	MCBFL 3 N	112 463 007
100-240 V, 50/60 Hz	40°	plug-in transformer	IP40 (IP65)	MCBFL 3 N	112 463 009
24 V, AC/DC	10°	without transformer	IP65	MCBFL 3 S	112 463 001
24 V, AC/DC	40°	without transformer	IP65	MCBFL 3 S	112 463 003

*Luminaire system of protection (Luminaire body)

SPECIAL FEATURES

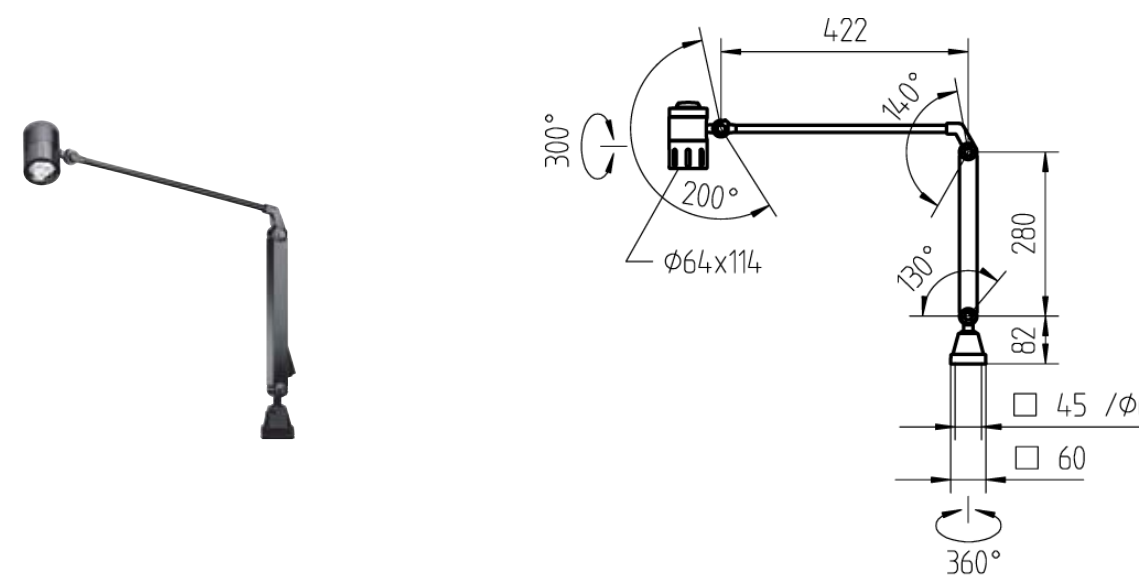
- Maximum working radius of 32"
- Fully adjustable arm
- 5-axis arm movement

Note: Detailed datasheets are available at www.waldmann.com or by calling (800) 634-0007



ARTICULATING ARM

DIMENSIONAL DATA (MM)



SPOT LED 003 – GOOSE-NECK ARM

The SPOT LED 003 GOOSE-NECK ARM is often used where work space is limited. This high-quality arm, with a working radius of 24", allows quick, easy and precise positioning without the luminaire springing back or moving unexpectedly. An additional pivoting joint on the luminaire head allows fine adjustment of the LED light source in any direction.

Like all Waldmann components, this arm is designed for the toughest long-term use and shows no signs of fatigue even after 20,000 movements and everyday adjustments. With a variety of Waldmann mounting options and accessories, the SPOT LED 003 GOOSE-NECK ARM is easy to install and provides maximum flexibility and adjustability in smaller work areas and machines.

TECHNICAL DATA GOOSE-NECK ARM

FOR COMMON TECHNICAL DATA SEE THE FOLDOUT PAGE AT THE BACK OF THE BROCHURE.

FITTED WITH	3 x 3 watts
OPERATION	with switch (versions without switch available upon request)

CONNECTED LOAD	BEAM ANGLE	TECHNOLOGY	SYSTEM OF PROTECTION*	MODEL	ORDER NO.
100-240 V, 50/60 Hz	10°	plug-in transformer	IP40 (IP65)	MCTFL 3 N	112 462 007
100-240 V, 50/60 Hz	40°	plug-in transformer	IP40 (IP65)	MCTFL 3 N	112 462 009
24 V, AC/DC	10°	without transformer	IP65	MCTFL 3 S	112 462 001
24 V, AC/DC	40°	without transformer	IP65	MCTFL 3 S	112 462 003

*Luminaire system of protection (Luminaire body)

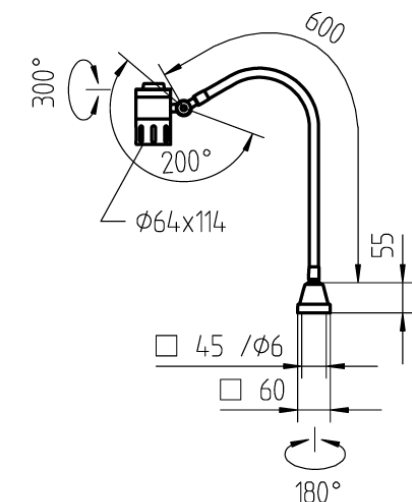
SPECIAL FEATURES

- Working radius of 24"
- Quick, precise positioning
- Strong and durable arm

Note: Detailed datasheets are available at www.waldmann.com or by calling (800) 634-0007



GOOSE-NECK ARM DIMENSIONAL DATA (MM)



SPOT LED 003 – PIVOTING HEAD

The SPOT LED 003 PIVOTING HEAD has been designed for permanent integration in smaller machines. Its sturdy construction with an enclosed luminaire head offers effective protection from sources of mechanical stress such as flying chips when grinding, engraving or sawing. The magnetic base, available as an accessory, offers a simple means of fastening the luminaire to the machine.

With precise positioning and maintenance-free LED lamp technology, the SPOT LED 003 PIVOTING HEAD provides a premium light source for the work or machining area.

With IP67 rated dust and fluid protection, the SPOT LED 003 PIVOTING HEAD can withstand even the most demanding work environments, subjected to oil, fluids, chemical coolants and debris.

TECHNICAL DATA PIVOTING HEAD

FOR COMMON TECHNICAL DATA SEE THE FOLDOUT PAGE AT THE BACK OF THE BROCHURE.

FITTED WITH	3 x 3 watts
OPERATION	with or without switch

CONNECTED LOAD	BEAM ANGLE	TECHNOLOGY	SYSTEM OF PROTECTION*	MODEL	ORDER NO.
24 V, AC/DC with switch	10°	without transformer	IP65	MCXFL 3 S	112 459 001
24 V, AC/DC with switch	40°	without transformer	IP65	MCXFL 3 S	112 459 003
24 V, AC/DC without switch	10°	without transformer	IP67	MCXFL 3 S	112 459 004
24 V, AC/DC without switch	40°	without transformer	IP67	MCXFL 3 S	112 459 006
100-240 V, 50/60Hz	10°	plug-in transformer	IP65	MCXFL 3 N	112 459 007
100-240 V, 50/60Hz	40°	plug-in transformer	IP65	MCXFL 3 N	112 459 009

* Luminaire system of protection (Luminaire body)

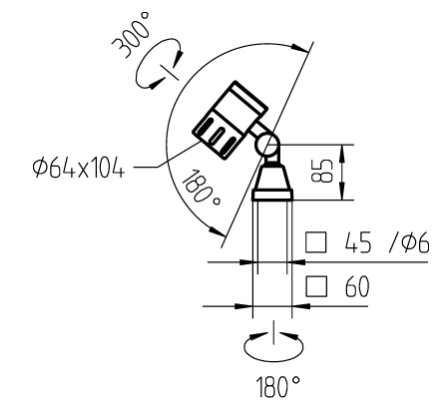
SPECIAL FEATURES

- Ideal for permanent integration in machines
- Maximum versatility through pivoting head joint
- Adjustable, space-saving design

Note: Detailed datasheets are available at www.waldmann.com or by calling (800) 634-0007



PIVOTING HEAD DIMENSIONAL DATA (MM)



SPOT LED 003 – SURFACE / FLUSH MOUNT

The SPOT LED 003 SURFACE MOUNT and FLUSH MOUNT versions are designed for easy integration in small machines or work areas in which the light direction is fixed. While the SURFACE MOUNT is noted for its quick integration and low installation costs, the FLUSH MOUNT model provides minimal intrusion into the work area due to its integration into the machine wall, utilizing even less space while minimizing the accumulation of chips and debris.

Note: Due to their compact size, these luminaires must be connected to a metal surface with a minimum area of 1 sq. ft. (12"x12") to ensure heat dissipation.

TECHNICAL DATA SURFACE / FLUSH MOUNT

FOR COMMON TECHNICAL DATA SEE THE FOLDOUT PAGE AT THE BACK OF THE BROCHURE.

FITTED WITH	3 x 3 watts
OPERATION	without switch

SURFACE MOUNT	CONNECTED LOAD	BEAM ANGLE	TECHNOLOGY	SYSTEM OF PROTECTION*	MODEL	ORDER NO.
	24 V, AC/DC	10°	without transformer	IP67	MCAYL 3 S	112 461 001
	24 V, AC/DC	40°	without transformer	IP67	MCAYL 3 S	112 461 003

FLUSH MOUNT	CONNECTED LOAD	BEAM ANGLE	TECHNOLOGY	SYSTEM OF PROTECTION*	MODEL	ORDER NO.
	24 V, AC/DC	10°	without transformer	IP67	MCEYL 3 S	112 460 001
	24 V, AC/DC	40°	without transformer	IP67	MCEYL 3 S	112 460 003

* Luminaire system of protection (Luminaire body)

SPECIAL FEATURES

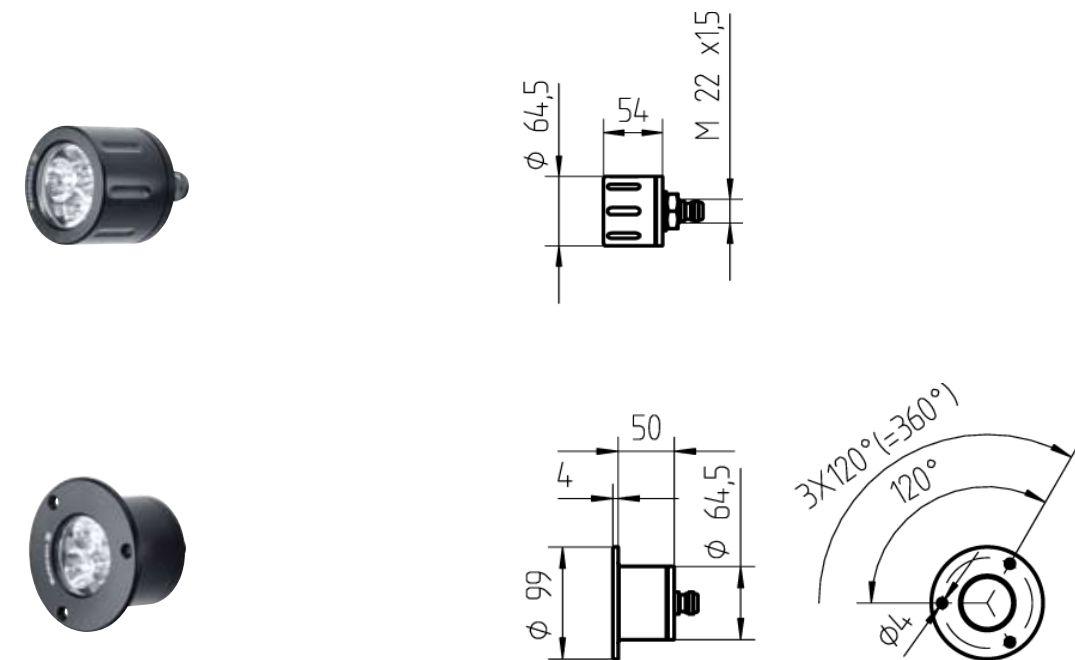
- Ideal for permanent integration in machines
- Easy integration and low installation costs
- Low profile, space-saving design

Note: Minimum requirements for the cooling surface: 1 sq. ft. (12" x 12")

Detailed datasheets are available at www.waldmann.com



SURFACE / FLUSH MOUNT DIMENSIONAL DATA (MM)



ACCESSORIES

TYPE/MODEL	COLOR	SPAN	ORDER NO..	TABLE CLAMP
Table Clamp	black	0 - 65 mm	190 007 019	
Table Clamp	black	65 - 135 mm	190 033 019	
Table Clamp	black	95 - 165 mm	190 035 019	

TYPE/MODEL	COLOR	ORDER NO.	TABLE BASE
Table Base	black	190 036 109	

TYPE/MODEL	COLOR	ORDER NO.	MAGNETIC BASE
Magnetic Base	black	190 057 019	

TYPE/MODEL	COLOR	ORDER NO.	WALL BRACKET
Wall Bracket	black	300 213 018	

OTHER LUMINAIRES FROM WALDMANN



HALOGEN

- Precise aiming of halogen light source
- Flexible mounting and positioning
- Proven arm design for industrial applications
- Waterproof models available



FLUORESCENT

- Designed for wide area flood illumination
- Available in a variety of sizes and lamping configurations
- Waterproof IP67 rated tube luminaire
- A wide range of mounting options and accessories



WORKSTATION

- Wide area illumination at the work area
- Adjustable spring balanced arm
- Flexible mounting and precise positioning
- Excellent light distribution and glare control



MAGNIFICATION AND INSPECTION

- Uncompromising design, quality and functionality
- Arms designed for professional use
- Distortion free glass optics for precise viewing
- General illumination and magnification for the work area

TECHNICAL DATA AND LIGHT DISTRIBUTION

DETAILED
DATASHEETS AVAILABLE
@ WWW.WALDMANN.COM
OR BY CALLING (800) 634-0007

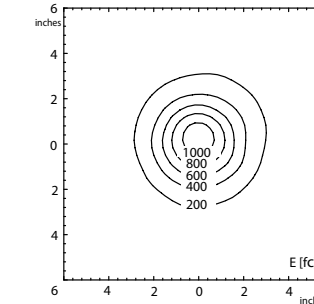
ALL SPOT LED 003 MODELS HAVE THE FOLLOWING IN COMMON:

TECHNICAL DATA

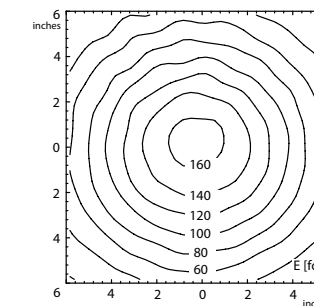
HOUSING	Aluminium, hard-anodized (hard coating)
LAMP COVER	Borosilicate glass lens
POWER CABLE	Approx. 10 ft

LIGHT DISTRIBUTION IN FOOTCANDLES (MEASURED AT 20 INCHES)

BEAM ANGLE OF 10°



BEAM ANGLE OF 40°



USA

Waldmann Lighting Company
9 W. Century Drive
Wheeling, Illinois 60090
Phone 847-520-1060
Fax 847-520-1730
www.waldmann.com
waldmann@waldmannlighting.com

UK

Waldmann Lighting Ltd.
Holme Well Road
Middleton
GB-Leeds LS 10 4TQ
West Yorkshire
Telefon +44/1132775662
Telefax +44/1132775775
www.waldmann.com
enquiries@waldmannlighting.co.uk

FRANCE

Waldmann Eclairage S.A.S.
Z.I. Rue de l'Embranchement
F-67116 REICHSTETT
Adresse postale :
BP 23431 Reichstett
F-67455 MUNDOLSHEIM Cedex
Telefon +33 (0) 3.88.20.95.88
Telefax +33 (0) 3.88.20.95.68
www.waldmann.com
info-fr@waldmann.com

SWITZERLAND

Waldmann Lichttechnik GmbH
Benkenstr. 57
CH-5024 Küttigen
Telefon +41 (0)62 - 839 12 12
Telefax +41 (0)62 - 839 12 99
www.waldmann.com
info-ch@waldmann.com

AUSTRIA

Waldmann Lichttechnik Ges.m.b.H.
Gewerbepark Wagram 7
AT-4061 Pasching/Linz
Telefon +43 (0) 722967400
Telefax +43 (0) 722967444
www.waldmann.com
info-at@waldmann.com

ITALY

Waldmann Illuminotecnica S.r.l.
Via della Pace, 18 A
IT-20098 San Giuliano Milanese (MI)
Telefon +39/02 98 24 90 24
Telefax +39/02 98 24 63 78
www.waldmann.com
info-it@waldmann.com

SINGAPORE

Waldmann Lighting Pte. Ltd.
1200, Depot Road,
#04-17/18,
SG-Singapore 109675
Telefon +65/62758300
Telefax +65/62758377
www.waldmann.com
sales@waldmann.com.sg

NETHERLANDS

Waldmann Lichttechnik B.V.
Lingewei 19
NL-4004 LK Tiel
Telefon +31 (0) 344 - 631019
Telefax +31 (0) 344 - 627856
www.waldmann.com
info-nl@waldmann.com

WORLD HEADQUARTERS

Herbert Waldmann GmbH & Co. KG
Postfach 5062
D-78057 Villingen-Schwenningen
Telefon +49 7720 601-100
Telefax +49 7720 601-290
www.waldmann.com
info@waldmann.com