

Waldmann **W**

ENGINEER OF LIGHT.

NORTH AMERICA

ROMA





ROMA

SETTING NEW STANDARDS IN ERGONOMIC LIGHTING.

The sleek Roma features a swivel joint designed into the base of the head that permits precise, ergonomic rotation and positioning. The internal spring balanced single and twin vertical arms allow the Roma to be easily moved and directed to specific work areas that need illumination. The twin horizontal arm offers maximum work surface coverage, while the single arm is ideal for smaller work areas. There is a perfect style for any workstation configuration. The aluminized parabolic louver, pioneered

by Waldmann, guides light to your reference area and reduces computer screen glare. The Roma provides comfortable, well directed light that greatly enhances both direct and indirect lighting systems.

Discover the energy efficient 18-watt compact fluorescent lamp.

This highly efficient lamp is cool to the touch; yet it has the same light (lumen) output as a 100-watt incandescent lamp. It provides 12,000

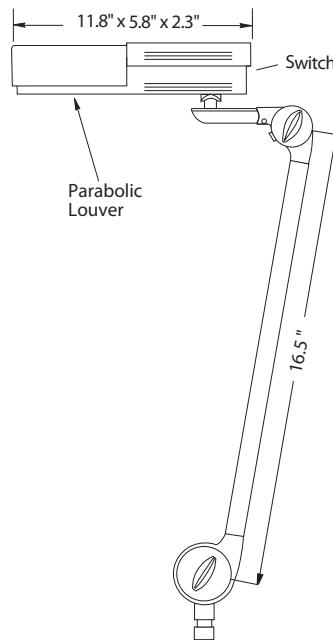
hours of lamp life, a CRI of 82 and a Kelvin temperature of 4100K. Printed tasks will appear vivid and crisp under this light source. An electronic ballast "E" version is also offered for increased energy efficiency.

Color options for virtually any office environment.

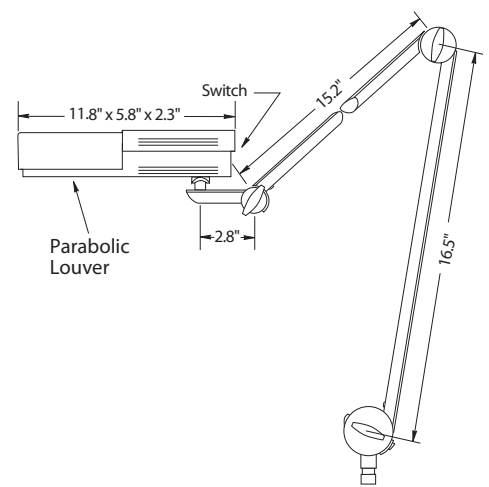
The Roma is available with black or platinum arms with a matching black or platinum inset shade.

Roma Ordering Information				
Roma Electronic Ballast				Mounting Options
Roma Model	Arm color	Head color	Order #	
Single Vertical	Black	Black	118-450-012	Table Clamp 200-498-039
Twin Vertical	Black	Black	138-210-012	Table Clamp (for rounded surfaces) 191-025-069-40
Twin Horizontal	Black	Black	118-370-012	Wall Bracket 308-218-109
Single Vertical	Platinum	Black	118-450-028	Round Table Base 190-186-019
Twin Vertical	Platinum	Black	138-210-028	Rectangular Table Base 190-037-019
Twin Horizontal	Platinum	Black	118-370-028	Single Arm Table Base 190-101-019
Specifications Weight = approx. 3.5 lbs. Power consumption = approx. 20W				Grommet 203-332-019 Panel Bracket (Specify Furniture System)
				Replacement Lamp 18-watt, 4100K (Standard) 450-018-010

Roma Single Vertical Arm

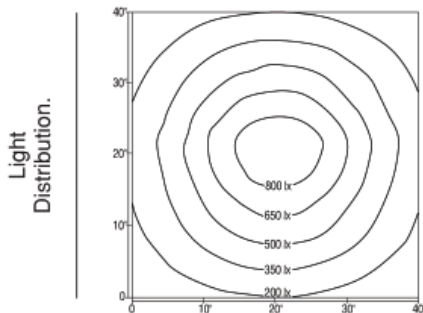


Roma Twin Vertical Arm



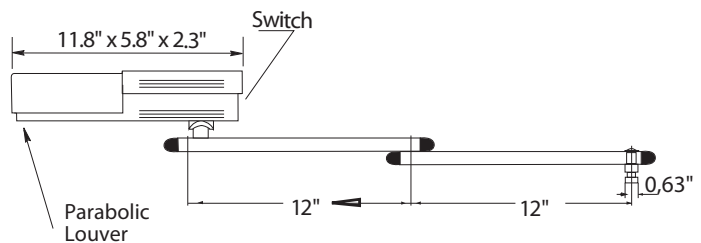
FOOTCANDLE LINES OF ILLUMINATION

All measurements are stated in footcandles



Distance of head to working plane = 20 inches.

Roma Twin Horizontal Arm



Waldmann Lighting Company
9, W. Century Drive
Wheeling, Illinois 60090
USA
Telephone (847) 520 1060
Fax (847) 520 1730
www.waldmannlighting.com
waldmann@waldmannlighting.com

Herbert Waldmann GmbH & Co. KG
P.O. Box 5062
78057 Villingen-Schwenningen
Germany
Telephone +49 7720 601 100
Fax +49 7720 601 290
www.waldmann.com
info@waldmann.com

Waldmann Lichttechnik GmbH
Benkenstrasse 57
5024 Küttigen
Switzerland
Telephone +41 62 839 12 12
Fax +41 62 839 12 99
www.waldmann.com
info-ch@waldmann.com

Derungs Medical Lighting
Hofmattstrasse 12
9200 Gossau
Switzerland
Telephone +41 71 388 11 66
Fax +41 71 388 11 77
www.derungslicht.com
mailbox@derungslicht.com

Waldmann Eclairage S.A.S
BP 23431
Reichstett
67455 Mundolsheim Cedex
France
Telephone +33 3 8820 9588
Fax +33 3 8820 9568
www.waldmann.com
info-fr@waldmann.com

Waldmann Lichttechnik Ges.m.b.H
Gewerbepark Wagram 7
4061 Pasching/Linz
Austria
Telephone +43 7229 67 400
Fax +43 7229 67 444
www.waldmann.com
info-at@waldmann.com

Waldmann Illuminotecnica s.r.l.
Via della Pace, 18 A
20098 S. Giuliano M. se (MI)
Italy
Telephone +39 02 9824 9024
Fax +39 02 9824 6378
www.waldmann.com
info-it@waldmann.com

Waldmann Medische Technik BV
Lingewei 19
4004 LK Tiel
Netherlands
Telephone +31 344 631 019
Fax +31 344 627 856
www.waldmann.com
info-nl@waldmann.com

Waldmann Ljusteknik
Skebokvarnsvägen 370
124 50 Bandhagen
Sweden
Telephone +46 8 990 350
Fax +46 8 991 609
www.waldmann.se
hk@waldmann.se

Waldmann Lighting Singapore Pte. Ltd.
Blk 168, Jalan Bukit Merah Tower 3,
04-09 B
SG-Singapore 150168
Telephone +65 6275 8300
Fax +65 6275 8377
www.waldmann.com
waldmann@singnet.com.sg

Waldmann Lighting (Shanghai) Co. Ltd.
Part A, No. Five Normative Workshop
199 Chang Jian Road, Baoshan
Shanghai, PRC 200949
Telephone +86 2151 691799
Fax +86 2133 850032
www.waldmann.cn
info@waldmann.com.cn