

**Waldmann** **W**

ENGINEER OF LIGHT.

ARCHITECTURAL TUBULAR LUMINAIRES








## LIGHT IN ALIGNMENT WITH ARCHITECTURE

Light has an integral importance in architecture. It supports the overall impression of rooms and materials, of proportions, width, height and depth. Room atmospheres are in direct conjunction with the respective lighting situation. Light that is proportionate and individually customized to its function is therefore essential. Proper lighting plays an important factor for any architect, because not only does it brighten the rooms, buildings and paths, but also heightens people's awareness.

tubular luminaires are also the result of a holistic approach. They are the results of the interaction of profound technical know-how, ingenuity and perfected technologies. Waldmann has a unique wealth of experience in reference to light and its effects on architecture and on people.

Just as any good architecture, Waldmann's

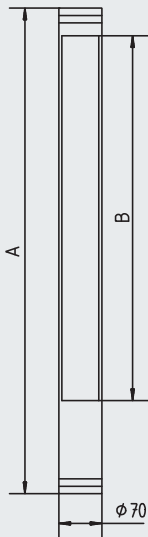


RL 70	6
RL 40	8
RL 70 EP	10
DESIGN DETAILS	14
ADDITIONAL INFORMATION	16
REFERENCES	17



# THE HISTORIAL DE LA VENDÉE. TIMELESSLY STAGED WITH WALDMANN RL 70.

The Vendée expands along the Atlantic coast and is known for its architectural treasures. One of these is the Historial in Lucs-sur-Boulogne. The museum invites its visitors with the aid of innovative and interactive technology to experience the history of the Vendée. The Waldmann series RL 70 accompanies the "time travelers" with lighting in its most timeless form. The vertically suspended tubular luminaires, with a diameter of 70 mm, act like guideposts on the path from the Stone Age to the present.



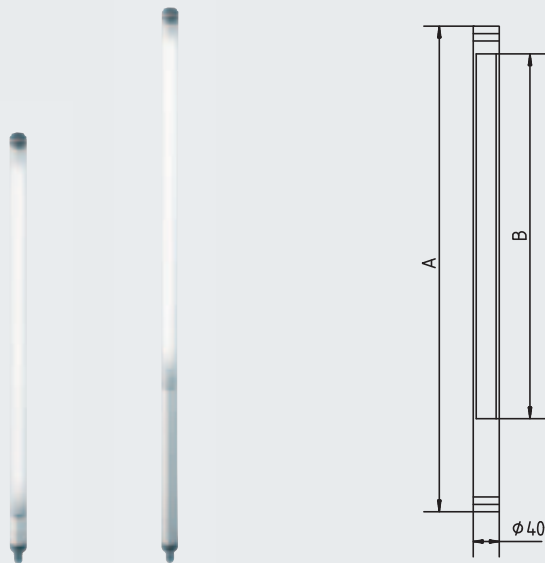




# THE PISCINE JOSÉPHINE BAKER. ILLUMINATED BY WALDMANN RL 40.

The «Josephine Baker» swimming pool in Paris, with its unique design that of a ship and walls and roof consisting of glass, is anchored in the Seine river. Weather permitting, the roof can be opened within 5 minutes to get a view of the sun, moon and the stars.

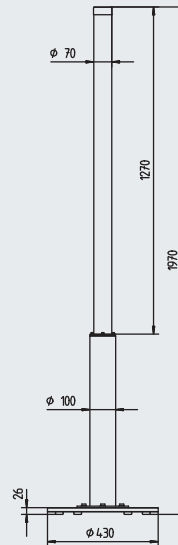
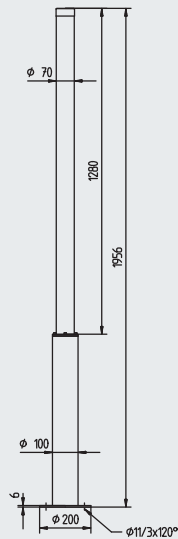
The Waldmann Series "RL 40" is used for the illumination. The luminaires are as thin as the struts on the glass roof at a diameter of only 40 mm; allowing the lighting solution and the structure to merge together.





# LIEBHERR IN COLMAR. PIONEERING ILLUMINATION WITH WALDMANN RL 70 EP.

Liebherr's excavators are among the best worldwide. Due to the high demand, capacities at the Colmar plant are constantly expanding. Anyone that stands for dependable, sturdy and long-term technology, such as Liebherr, expects nothing but the highest quality from its suppliers. The selection of interior lighting therefore fell on the luminaires of the Waldmann Series RL 70 EP – indestructible technology behind everlasting design.









# DESIGN DETAILS. UNLIMITED POSSIBILITIES.



## Luminaire bracket:

- 1 Spherical retaining ring (aluminum, horizontal)
- 2 Spherical retaining ring (aluminum, vertical)
- 3 Spherical retaining ring (stainless steel)
- 4 Screw-in retaining ring (aluminum)
- 5 Wall retaining clip (stainless steel)
- 6 Folding bracket (stainless steel) only for RL 70
- 7 Wall bracket (spring steel strip, galvanized) only for RL 40
- 8 End cap (aluminum)

## ADDITIONAL INFORMATION.

Visit [www.waldmann.com](http://www.waldmann.com) for detailed information about our lighting solutions – comprehensive product descriptions, technical specifications, texts for invitations to tenders and reference reports.





# REFERENCES

Formula 1 Race Track, China

West Channel, RC

LBBW, Germany

SüdLeasing, Germany

Siemens AG, Germany

Deutsche Bank, Germany

Dr. Rödl & Partner, Germany

Deutsche Telekom, Germany

Sandtander Bank, Germany

Daimler, Germany

Dürr AG, Germany

Audiens, France

Piscine Joséphine Baker, France

Médiathèque, France

Eurosport, France

Air France, France

Banque Populaire, France

Ministère des Finances, France

PWC, Ireland

UniCredit Banca, Italy

Börse Amsterdam, The Netherlands

Spar, Austria

Voith, Austria

Frequentis, Austria

Swarowski, Austria

Volvo, Spain

Banque Picquet & Cie, Switzerland

B.Braun Medical, Switzerland

Helsana, Switzerland

German Center, Singapore

Singapore Sport Council, Singapore

YMCA, USA

Microsoft, USA





**HEADQUARTERS GERMANY**

Herbert Waldmann GmbH & Co. KG  
Postfach 50 62  
78057 VILLINGEN-SCHWENNINGEN  
GERMANY  
Telephone +49 7720 601-100  
Fax +49 7720 601-290  
www.waldmann.com  
info@waldmann.com

**FRANCE**

Waldmann Eclairage S.A.S.  
Zone Industrielle  
Rue de l'Embranchement  
67116 REICHESTETT  
FRANCE  
Telephone +33 3 88 20 95 88  
Fax +33 3 88 20 95 68  
www.waldmann.com  
info-fr@waldmann.com

**ITALY**

Waldmann Illuminotecnica S.r.l.  
Via della Pace, 18 A  
20098 SAN GIULIANO MILANESE (MI)  
ITALY  
Telephone +39 02 98 24 90 24  
Fax +39 02 98 24 63 78  
www.waldmann.com  
info-it@waldmann.com

**THE NETHERLANDS**

Waldmann B.V.  
Lingewei 19  
4004 LK TIEL  
THE NETHERLANDS  
Telephone +31 344 631019  
Fax +31 344 627856  
www.waldmann.com  
info-nl@waldmann.com

**AUSTRIA**

Waldmann Lichttechnik Ges.m.b.H.  
Gewerbepark Wagram 7  
4061 PASCHING/LINZ  
AUSTRIA  
Telephone +43 7229 67400  
Fax +43 7229 67444  
www.waldmann.com  
info-at@waldmann.com

**SWEDEN**

Waldmann Ljusteknik AB  
Skebokvarnsvägen 370  
124 50 BANDHAGEN  
SWEDEN  
Telephone +46 8 990 350  
Fax +46 8 991 609  
www.waldmann.se  
info@waldmann.se

**SWITZERLAND**

Waldmann Lichttechnik GmbH  
Benkenstrasse 57  
5024 KÜTTIGEN  
SWITZERLAND  
Telephone +41 62 839 1212  
Fax +41 62 839 1299  
www.waldmann.com  
info-ch@waldmann.com

**UK**

Waldmann Lighting Ltd.  
Holme Well Road  
Middleton  
LEEDS LS 10 4TQ  
WEST YORKSHIRE  
UK  
Telephone +44 113 2775662  
Fax +44 113 2775775  
www.waldmann.com  
enquiries@waldmannlighting.co.uk

**USA**

Waldmann Lighting Company  
9, W. Century Drive  
WHEELING, ILLINOIS 60090  
USA  
Telephone +1 847 520 1060  
Fax +1 847 520 1730  
www.waldmannlighting.com  
waldmann@waldmannlighting.com

**CHINA**

Waldmann Lighting Shanghai Pte. Ltd.  
Part A, No. Five Normative Workshop  
199 Changjian Road, Baoshan  
SHANGHAI, P.R.C. 200949  
CHINA  
Telephone +86 21 5169 1799  
Fax +86 21 3385 0032  
www.waldmann.com  
s.lo@waldmann.com.cn

**SINGAPORE**

Waldmann Lighting Singapore Pte. Ltd.  
168, Jalan Bukit Merah, #04-09B,  
Connection One, Tower 3  
SINGAPOUR 150168  
SINGAPOUR  
Telephone +65 6275 8300  
Fax +65 6275 8377  
www.waldmann.com  
sales-sg@waldmann.com