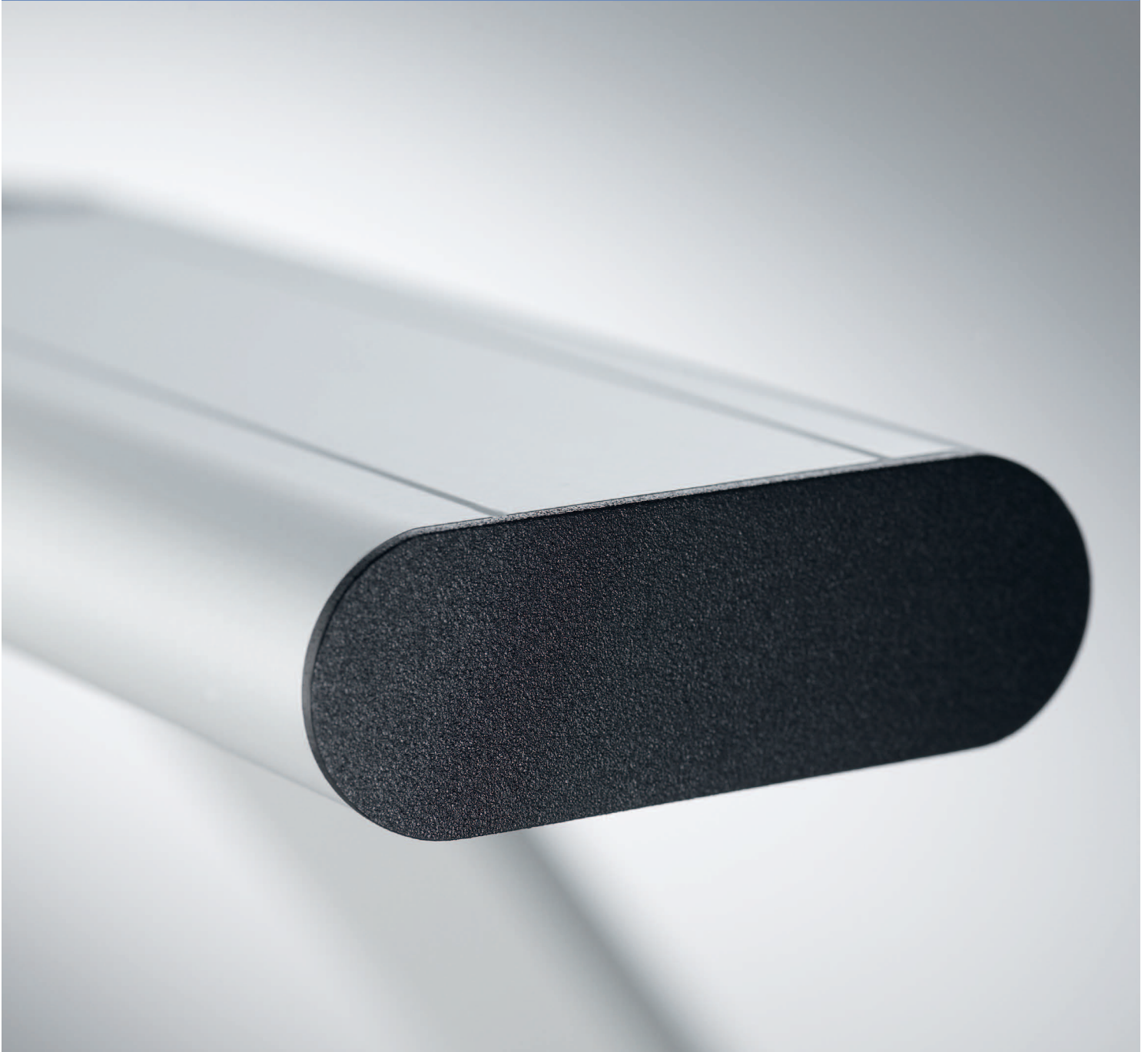


**Waldmann** **W**  
ENGINEER OF LIGHT.

NORTH AMERICA

MINELA LED TASK LIGHT





## WALDMANN LED TASK LIGHTING OUTSTANDING PERFORMANCE AND CONTROL

Waldmann Lighting continues to introduce products that are built with sustainable design in mind, are extremely energy-efficient, and offer the latest in both function and control. Our philosophy is simple...provide high-performance functionality and control as well as classic design and aesthetic appeal.

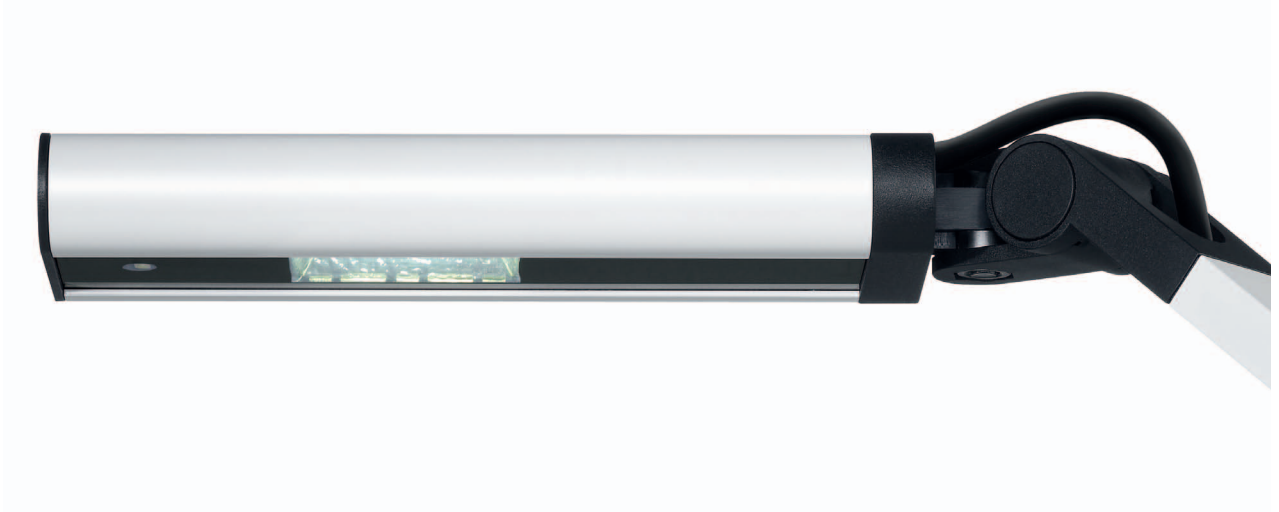
As LED technology continues to evolve, Waldmann is committed to bringing the latest lighting technology to personal task lighting solutions. Our focus on technology and superior design improves performance as well as reduces energy consumption.

With our continued focus on decreasing energy demand and waste in the modern office environment, ambient light levels continue to go to lower. At the same time, our task lighting requirements are increasing as an aging workforce requires more light, not less, to perform demanding visual tasks.

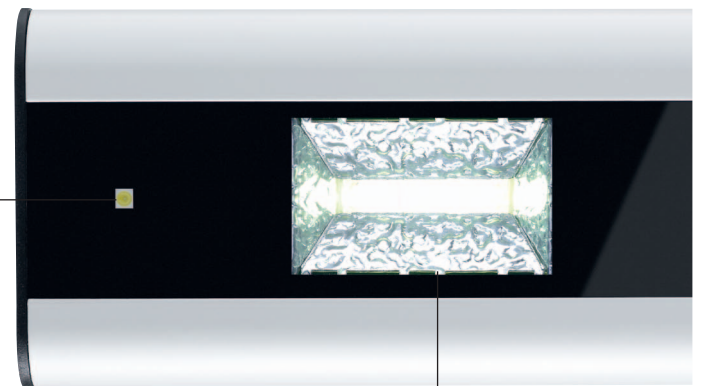
New LED chip array technology delivers the best of all worlds: Improved efficiency and control compared to other lighting technologies, much less heat, very low energy consumption, as well as an elimination of lamp replacement.

Waldmann LED Task Lighting Solutions offer precise lighting control along with the latest in LED technology. With integrated controls for dimming and shut-off, our products insure the ultimate in personal lighting solutions that work for years.

Designed for commercial use, our LED Task Lighting Solutions are designed for the most demanding office environments. Our industry leading 10-year limited warranty insures years of trouble-free performance and satisfaction with your purchase of Waldmann Lighting products.



The illuminated touch switch for on, off and dimming functions is activated with a light finger touch. When the luminaire is switched off, the touch switch is illuminated to highlight location.



High quality light with outstanding energy efficiency: Using a new 5 watt high power multichip LED array (Total luminaire energy consumption = 8 watts).

## MINELA

### FAR REACHING. A LONGER ARM OFFERS TRUE FLEXIBILITY.

MINELA is the latest in high-performance LED Task Lighting Solutions from Waldmann. Equipped with the latest high power multichip LED array in an innovative strip design, the entire unit only consumes 8 watts of power.

A special feature is the well-engineered thermal management system ensuring long LED life. By using only premium electronic components, heat of the high-performance LED is quickly dissipated, resulting in cool operation. The MINELA also has a unique power-off feature – shutting down after 14 hours of uninterrupted operation.

The long extension arm ensures maximum flexibility when it comes to placement and adjustment of the MINELA. The luminaire can be set up or attached outside of the desk, work, or reading area, either to the left or to the right of the workstation.

MINELA can be adjusted to any individual vision or light level requirement. The gas pressure spring-loaded arm relieves the stress of weight on the luminaire's rotation points. As a result, the MINELA is easy to position. The self-locking joints automatically secure the selected position – and the cumbersome

opening and closing of thumb screws is a thing of the past. The head can be moved into any desired position in several dimensions – great for preventing reflections on shiny surfaces. Additionally, both symmetrical and asymmetrical light distribution is possible.

The innovative strip design of the LED enables wide-spread lighting and uniform illumination of at least 4 square feet.

MINELA is available with a table base or a table clamp.





**MINELA**

**LED TASK LIGHT**

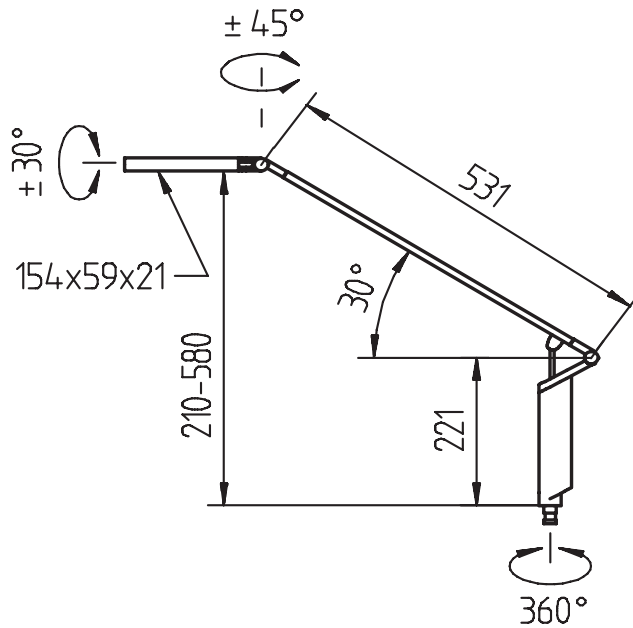
**TECHNICAL DATA**



POWER SUPPLY	120V, 50/60HZ
LAMPING	1 x LED 5W
POWER CABLE	8 ft. with transformer and US plug
MATERIAL HOUSING	Aluminum, powder-coated
ARM MATERIAL	Aluminum, powder-coated
TYPICAL MOUNTING	Table clamp (included) / table base (optional)
WEIGHT	approx. 2 lbs.
POWER CONSUMPTION	8 W
USAGE	Touch sensor
GLARE SUPPRESSION	None
ARM BALANCE	Gas pressure spring
PROTECTION CLASS	II
OPERATING DEVICE	Plug-in transformer
TECHNOLOGY	Dimmable

**ORDERING INFORMATION**

TYPE/MODEL	ETL 1 F
COLOR	white
ORDER NO.	112-883-000
TYPE/MODEL	ETL 1 F
COLOR	silver
ORDER NO.	112-883-002



MINELA

TECHNICAL DATA

## OPTIONAL ACCESSORIES

## TABLE BASE



## ORDERING INFORMATION

TYPE/MODEL	Table Base
COLOR	Black
ORDER NO.	ILL-005-00C

ADDITIONAL MOUNTING CLAMPS  
(ONE CLAMP INCLUDED)

## ORDERING INFORMATION

TYPE/MODEL	Table Clamp
COLOR	Black
ORDER NO.	200-498-039

Waldmann Lighting Company  
9W Century Drive  
Wheeling, Illinois 60090  
USA  
Telephone (847) 520 1060  
Fax (847) 520 1730  
www.waldmannlighting.com  
waldmann@waldmannlighting.com

Herbert Waldmann GmbH & Co. KG  
P.O. Box 5062  
78057 Villingen-Schwenningen  
Germany  
Telephone +49 7720 601 100  
Fax +49 7720 601 290  
www.waldmann.com  
info@waldmann.com

Waldmann Lichttechnik GmbH  
Benkenstrasse 57  
5024 Küttigen  
Switzerland  
Telephone +41 62 839 12 12  
Fax +41 62 839 12 99  
www.waldmann.com  
info-ch@waldmann.com

**Derungs Medical Lighting**  
Hofmattstrasse 12  
9200 Gossau  
Switzerland  
Telephone +41 71 388 11 66  
Fax +41 71 388 11 77  
www.derungslicht.com  
mailbox@derungslicht.com

Waldmann Eclairage S.A.S  
BP 23431  
Reichstett  
67455 Mundolsheim Cedex  
France  
Telephone +33 3 8820 9588  
Fax +33 3 8820 9568  
www.waldmann.com  
info-fr@waldmann.com

Waldmann Lichttechnik Ges.m.b.H  
Gewerbepark Wagram 7  
4061 Pasching/Linz  
Austria  
Telephone +43 7229 67 400  
Fax +43 7229 67 444  
www.waldmann.com  
info-at@waldmann.com

Waldmann Illuminotecnica s.r.l.  
Via della Pace, 18 A  
20098 S. Giuliano M. se (MI)  
Italy  
Telephone +39 02 9824 9024  
Fax +39 02 9824 6378  
www.waldmann.com  
info-it@waldmann.com

Waldmann Medische Technik BV  
Lingewei 19  
4004 LK Tiel  
Netherlands  
Telephone +31 344 631 019  
Fax +31 344 627 856  
www.waldmann.com  
info-nl@waldmann.com

Waldmann Ljusteknik  
Skebokvarnsvägen 370  
124 50 Bandhagen  
Sweden  
Telephone +46 8 990 350  
Fax +46 8 991 609  
www.waldmann.se  
hk@waldmann.se

Waldmann Lighting Singapore Pte. Ltd.  
Blk 168, Jalan Bukit Merah Tower 3,  
# 04-09 B  
SG-Singapore 150168  
Telephone +65 6275 8300  
Fax +65 6275 8377  
www.waldmann.com  
waldmann@singnet.com.sg

Waldmann Lighting (Shanghai) Co. Ltd.  
Part A, No. Five Normative Workshop  
199 Chang Jian Road, Baoshan  
Shanghai, PRC 200949  
Telephone +86 2151 691799  
Fax +86 2133 850032  
www.waldmann.cn  
info@waldmann.com.cn