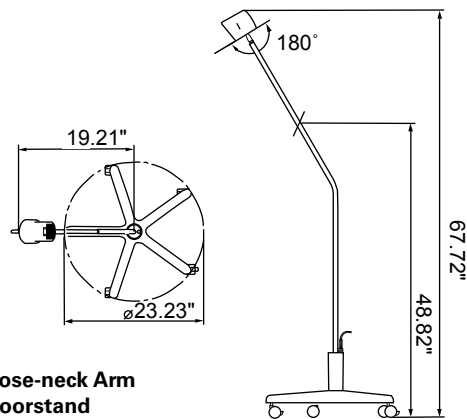


The MAX 35 advanced optics along with a variety of mounting options are the highlights of this procedure/exam light. The MAX 35 has a combination articulating arm joint with a goose-neck arm that allows for exceptional reach around the patient.

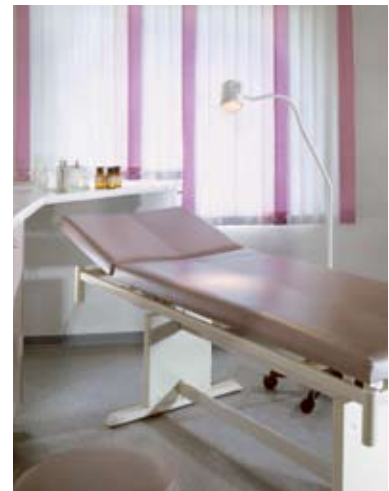


FEATURES

- 52,000 lux (4900 fc) at 16" powered by a 35-watt halogen lamp
- 3100K color temperature with cool light beam and housing
- Fully-rotational pivoting arm
- Approximately 50" reach on extended wall and table mounts
- Innovative housing design provides maximum heat dissipation
- Low operating temperature, energy efficient electronic transformer
- Smooth surfaces allows for safe and easy cleaning
- Quality goose-neck arm, white finish
- 3000 hour lamp life
- 3-year limited warranty
- 120V is standard; 230V models are available



MAX 35 Goose-neck Arm Including Floorstand



ORDERING INFORMATION: MAX 35

Description

Description	Part Numbers
Goose-neck Arm Including Floorstand	D14-147-000
Goose-neck Arm Including Wall Mount	D14-290-120
Goose-neck Arm Including Wall Mount and Extension Arm	D14-290-130
Goose-neck Arm Including Rail Mount	D14-290-150

Accessories

Set of Four MAX 35W Replacement lamps	D68-730-000
---------------------------------------	-------------