

3 MINOR SURGERY LIGHTING ISIS™ SERIES

The ISIS™ is a high-performance minor surgery light that provides superior quality while following regulatory compliance. Advanced ergonomic design allows the remarkably lightweight ISIS to move exactly as needed. It offers excellent lighting for diagnostic exams and surgical procedures as well as an aesthetically pleasing design that integrates easily into any medical environment.

FEATURES

- High intensity of 45,000 lux (4200 fc) at 1 meter and approximately 80,000 lux (7400 fc) at 24"
- Natural air circulation design provides a cool housing without the use of fans
- Drift-free arm system offers exceptional reach and easy positioning
- 4300K white 6" light beam is produced by custom filters and allows for accurate depiction of tissue color
- Convenient on-off controls built into the arm which eliminates the need for wall panels or hard-to-reach switches
- "Stay focused" feature - no need to focus its depth of field (94")
- Range of movement that allows for installation in areas where space is limited
- 50-watt IRC (Infrared Coated) halogen Xenon lamp provides up to 3,000 hours of light
- Smooth surfaces, including the autoclavable handle, assure easy cleaning
- Hospital-grade plug included
- UL listed and meets IEC 60601-2-41 standards
- 5-year limited warranty
- 120V is standard; 230V models are available

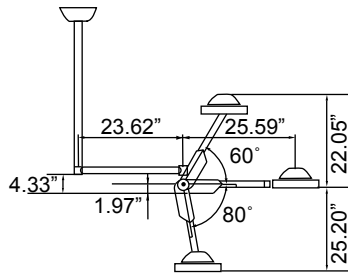


Double Ceiling Mounted ISIS™ shown

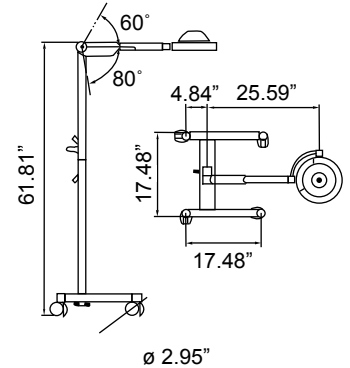
Lakeside treatment cart and Hausman table shown

ISIS™ SERIES

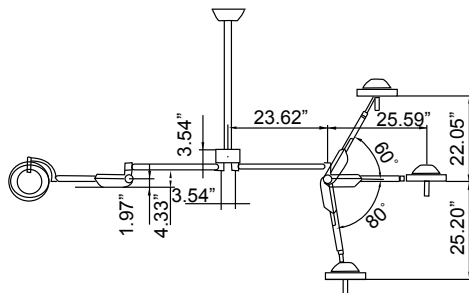
SINGLE CEILING MOUNT



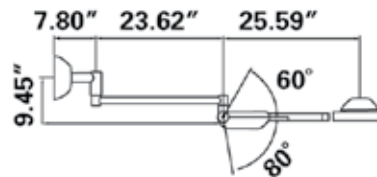
FLOORSTAND



DOUBLE CEILING MOUNT



WALL MOUNT



GUIDELINE FOR CHOOSING THE CORRECT ISIS™ CEILING MOUNT BASED ON CEILING HEIGHT AND DESIRED CLEARANCE

Choose the Part Number below to fit the clearance needed for your ceiling

SINGLE CEILING - SHADED AREAS ARE THE RECOMMENDED LENGTHS

Part Number	Ceiling Height (ft)	7'6"	8'	8'6"	9'	9'6"	10'
	Pole Length <small>NOTE 3</small>	Clearance <small>NOTE 4</small>					
D14-303-000	12" (300mm)	78"	84"	90"	96"	102"	108"
D14-304-000	20" (500mm)	70"	76"	82"	88"	94"	100"
D14-305-000	28" (700mm)	62"	68"	74"	80"	86"	92"
D14-306-000	35" (900mm)	55"	61"	67"	73"	79"	85"
D14-307-000	43" (1100mm)	47"	53"	59"	65"	71"	77"

DOUBLE CEILING- SHADED AREAS ARE THE RECOMMENDED LENGTHS

Part Number	Ceiling Height (ft)	7'6"	8'	8'6"	9'	9'6"	10'
	Pole Length <small>NOTE 3</small>	Clearance <small>NOTE 4</small>					
D14-362-000	15" (390mm)*	75"	81"	87"	93"	99"	105"
D14-363-000	23" (590mm)*	67"	73"	79"	85"	91"	97"
D14-364-000	31" (790mm)*	59"	65"	71"	76"	83"	89"
D14-365-000	39" (990mm)*	51"	57"	63"	69"	75"	81"
D14-366-000	47" (1190mm)*	43"	49"	55"	61"	67"	73"

* Includes 3" for double connection piece

Notes

1. Shaded "Clearance" areas indicates typical preference for an approximate 75"- 85" clearance.
2. Inches and millimeters are rounded to the nearest integer.
3. Pole "length" is defined as the distance from the ceiling to the end of the articulating arm joint.
4. "Clearance" is measured as the distance from the floor to the end of the articulating arm joint. In the charts, "Clearance" is shown by Ceiling Height and Part Number.

5 MINOR SURGERY LIGHTING

ISIS™ SERIES

CONVENIENT LAMP CHANGE



1a. Protective outer cover features unique built-in "magnets" for quick opening and closing.

1b. A wrench is included and attached to the holder for easy lamp change.



2. Protective cover and reflector are easily opened to expose lamp.



3. Change the bulb with a soft cloth. Do not touch the glass surface of either the old or new lamp.

ORDERING INFORMATION: ISIS™

Description	Part Numbers
Including Floorstand	D14-265-000
Including Wall Mount	D14-264-000
Including Single Ceiling Mount, 12" Pole	D14-303-000
Including Single Ceiling Mount, 20" Pole	D14-304-000
Including Single Ceiling Mount, 28" Pole	D14-305-000
Including Single Ceiling Mount, 35" Pole	D14-306-000
Including Single Ceiling Mount, 43" Pole	D14-307-000
Including Double Ceiling Mount, 15" Pole	D14-362-000
Including Double Ceiling Mount, 23" Pole	D14-363-000
Including Double Ceiling Mount, 31" Pole	D14-364-000
Including Double Ceiling Mount, 39" Pole	D14-365-000
Including Double Ceiling Mount, 47" Pole	D14-366-000
Accessories	
Set of Four Osram 50W IRC Replacement Lamps	D68-615-000
(1) Replacement Handle	D55-234-000
Set of 25 Sterile Handle Covers	D74-942-000