

# 7 PROCEDURE/EXAM LIGHTING

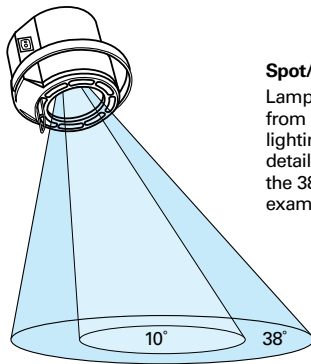
## HALUX® 35/2

Halux® 35/2 offers a combination of flood and spot light for a variety of applications in hospitals, ICU's, and NICU's. The Halux 35/2 also offers a variety of mounting options and its extension arm provides a 54" reach across either side of the patient bed.

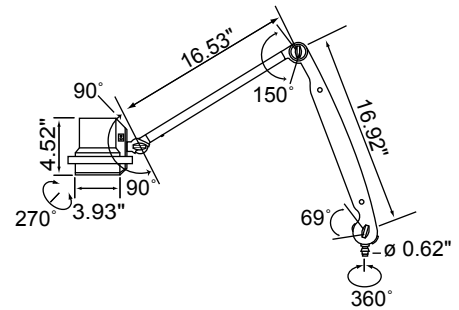


### FEATURES:

- 45,000 lux (4200 fc) at 16"; 37,000 lux (3400 fc) at 18" and 30,000 lux (2800 fc) at 20"; powered by two 35-watt lamps (one 10° and one 38°)
- Includes wrap-around handle for easy positioning
- Hospital-grade plug included
- 3100K color temperature; 8" light beam; Optional 4100K color correction filter available
- 3-year limited warranty
- 120V is standard; 230V models are available
- Articulating arm with internal springs
- 38" arm reach on ceiling, floorstand rail and standard wall and table mounts; 54" arm reach on extended wall mounts
- 3000 hour lamp life
- Lower temperature, energy efficient electronic transformer
- Low light head surface temperature



**Spot/Flood Capability**  
Lamps can be switched from spot lighting to flood lighting. The 10° is ideal for detailed examinations, while the 38° is used for broader examination requirements.



Halux 35/2 -Articulating Arm

### ORDERING INFORMATION: Halux® 35/2

Description	Part Numbers
Articulating Arm Including Table Clamp	D13-123-100
Articulating Arm Including Floorstand	D13-123-110
Articulating Arm Including Wall Mount	D13-123-120
Articulating Arm Including Wall Mount and Extension Arm	D13-123-130
Articulating Arm Including Rail Mount	D13-123-150
<b>Accessories</b>	
Halux 35/2 Replacement Lamps (Set of Two 10° Lamps and Set of Two 38° Lamps)	950-900-212