

Waldmann **W**

ENGINEER OF LIGHT.

NORTH AMERICA

LUMATRIS | HIGH-OUTPUT LED LUMINAIRE

LED

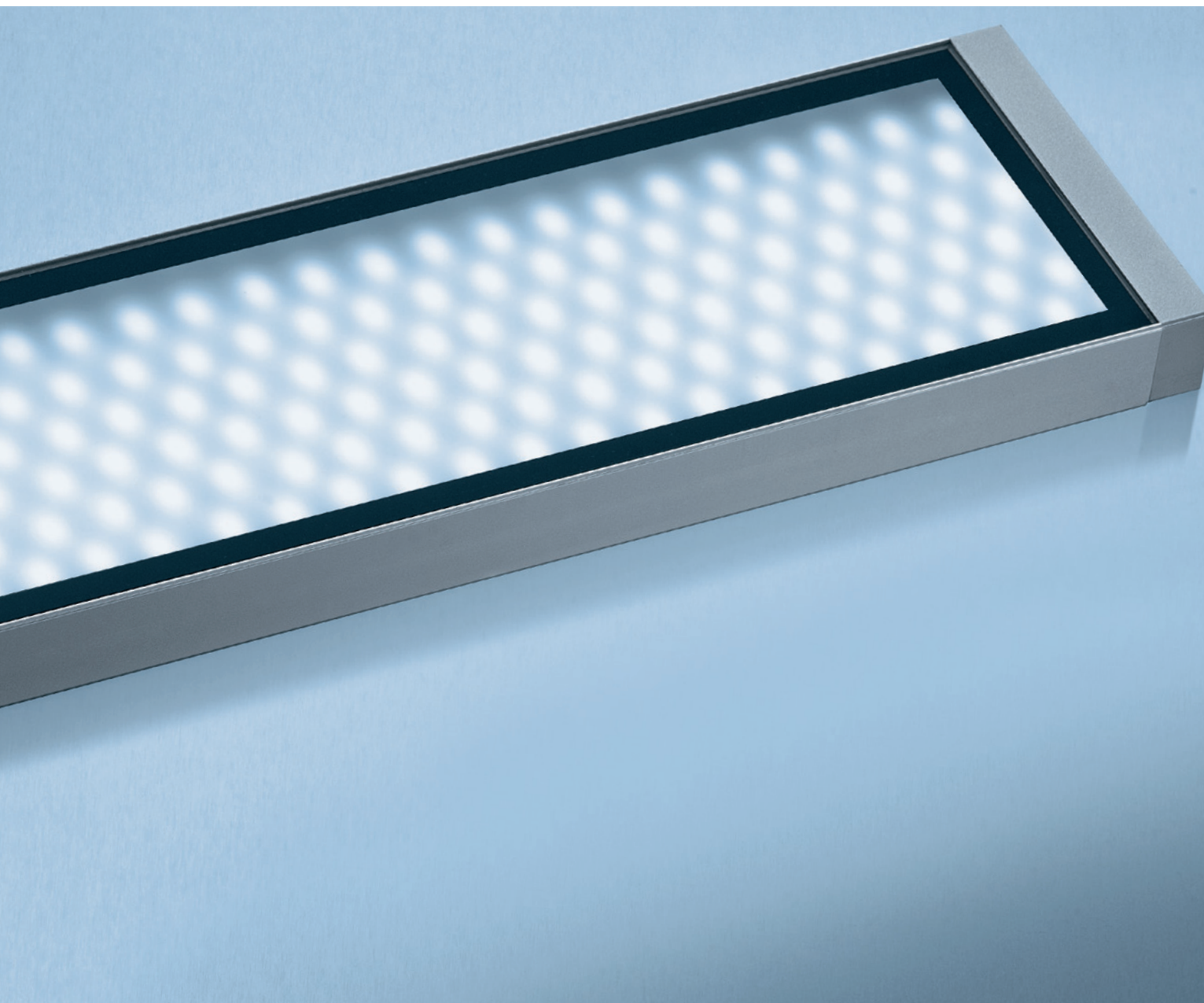




LUMATRIS EVOLUTION IN HIGH-PERFORMANCE LED

Waldmann's innovative mechanical engineering brings the next generation of high intensity LED panel luminaires, the LUMATRIS. LUMATRIS now makes the latest LED technology available for medium and large volume installations. It economically transforms the direct lighting characteristic of LEDs to provide glare-free diffuse lighting. LUMATRIS is ideal for areas where a minimum of space is available but a maximum amount of light is needed.

- Maintenance-free: LED life of up to 50,000 hours and more
- Unlimited functionality even after frequent switching
- Direct, reverse-polarity protected 24V DC plug with no additional components necessary
- Rear or side plug connection with an M12 plug connector
- Flush and surface mounting options
- Robust aluminum and safety glass housing for the toughest conditions
- IP68-1m & IPX9K system of protection
- Suitable for ambient temperatures of up to 113°F
- No burning in of cooling agents or lubricants thanks to low surface temperature of max. 136°F
- Resistance-tested with many cooling agents and lubricants



OPTIMUM ILLUMINATION – PROTECTING RESOURCES

The selection of special high-performance LEDs and the use of Light Forming Technology* make LUMATRIS one of the most energy-efficient lighting solutions in this light class.

In addition, the power consumption can be further reduced by using the eco mode if full light output is not needed for less critical visual tasks. This solution shuts down every second LED, which – even in eco mode – prevents the dangerous stroboscope effect that can occur when the luminaire is dimmed. The luminaire can be switched to eco mode by either applying 24V to one pin, or by shorting two pins.

- Light Forming Technology for optimum light control and 30% more efficiency
- Extremely resource-friendly operation thanks to eco mode
- Flicker-free light with no IR or UV content

* selectable, see overview of variations



LUMATRIS SIMPLY MORE POSSIBILITIES



MORE APPLICATIONS

With two different lengths, LUMATRIS introduces the advantages of modern LED light technology to machines – even in large-volume workrooms.

The luminaire is optionally available with Light Forming Technology* instead of a diffuser. In addition to glare-free properties and increased efficiency, its narrower light distribution facilitates a wide range of tasks.

The high-tech electronics are embedded in a housing with optimum heat management, making LUMATRIS suitable for higher ambient temperatures of up to 113°F.

The IP68-1m & IPX9K system of protection allows it to be used in the toughest conditions.

* selectable, see overview of variants





MORE INSTALLATION POSSIBILITIES

Threaded channels and T-slots on the back of the LUMATRIS make it possible to integrate or mount the luminaire in or onto the machine wall without additional accessories. In order to individually optimize workroom installation, further options are available:

- Mounting Frame*: Easier flush-mounting of the LUMATRIS in the machine wall and to help prevent dirt and chip entrapment.
- Mounting Brackets*: Easier positioning of the LUMATRIS where access is more difficult.
- Pivoting Arm Mount*: Simple and precise positioning of the LUMATRIS for better illumination at different angles.

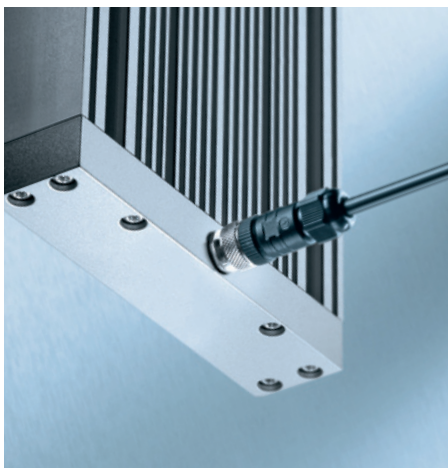
* Accessories

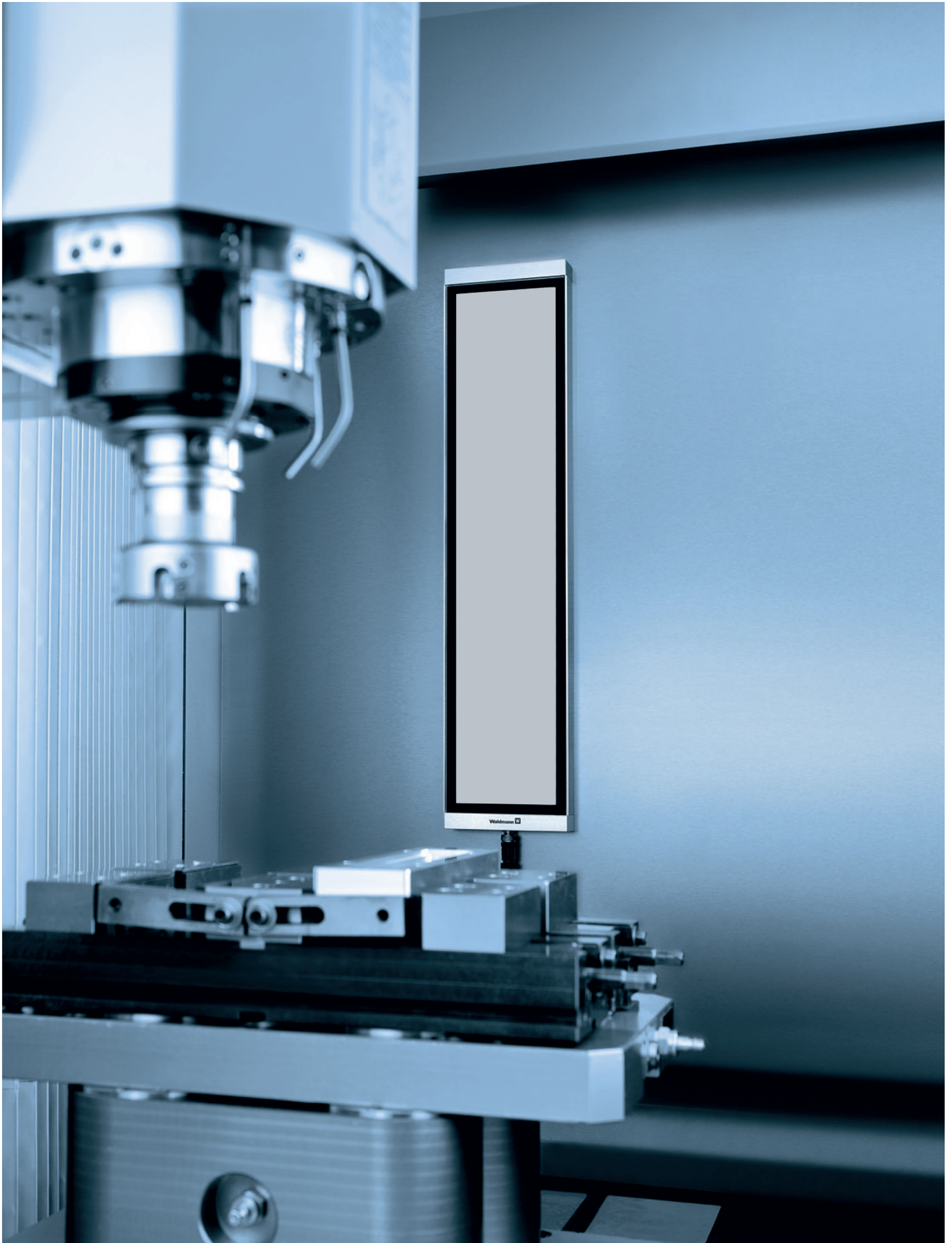
MORE CONNECTION POSSIBILITIES

The LUMATRIS is particularly easy to connect thanks to its M12 plug connector.

The connection is reverse-polarity protected so that a faulty terminal contact does not result in negative consequences. The advantage of this plug connector is that it is simple to replace the cable in the event of a defect.

It can be connected on the side or rear so that it does not get in the way of any type of installation. Additional connection variations are available upon request, for example, pre-assembled or for customer-side assembling, also with cable protection system.





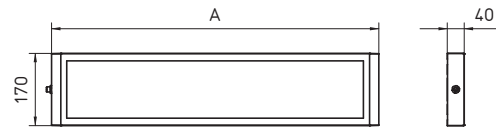
TECHNICAL DATA



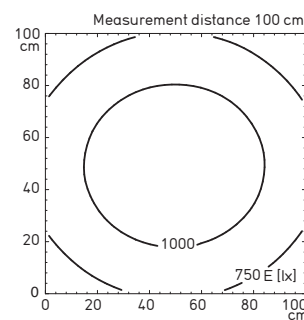
efficient^{light}

SPECIAL FEATURES

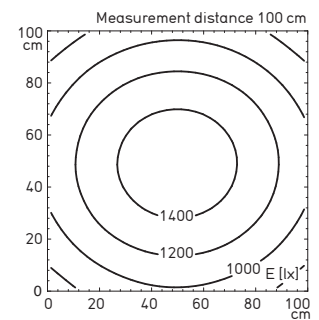
- 90 or 180 LED Models
- Color temperature daylight white 5,800K; Color rendering index Ra > 80
- Glare-free with diffuser or Light Forming Technology
- Colorless anodized aluminium housing, silver-painted side parts made of die-cast zinc, 4mm thick safety glass
- Flush or surface mount options
- Two-step switchable operation (standard or eco mode)
- System of protection IP68-1m and IPX9K in accordance with DIN 40050-9; class of protection III
- Side or rear connection via M12 plug connector, no cord included
- Mounting frame 420mm (408001037 - 00518121)
Mounting frame 770mm (408001034 - 005142065)
Pair of Side Mounting Brackets (408001035 - 00514268)
Pivoting Arm Mount (408001033 - 00514262)



Tip: For the precise assembly dimensions, please request a detailed drawing.



Illuminance based on the example of 72W without Light Forming Technology



Illuminance based on the example of 72W with Light Forming Technology

22 – 26V DC

PART NUMBER	MODEL	CONSUMPTION	DIMENSIONS	SPECIAL FEATURES	E_m/E_{max}
112573000 - 00499489	MSAL 90 S	36W	A = 420mm x 170mm (16.5" x 6.7")	Rear connection Light Forming Technology	595/785 lx1
112573001 - 00514271	MSAL 90 S	36W	A = 420mm x 170mm (16.5" x 6.7")	Side connection Light Forming Technology	595/785 lx1
112573002 - 00514274	MSAL 90 S	36W	A = 420mm x 170mm (16.5" x 6.7")	Side connection	473/626 lx1
112573003 - 00514277	MSAL 90 S	36W	A = 420mm x 170mm (16.5" x 6.7")	Rear connection	473/626 lx1
112574000 - 00499493	MSAL 180 S	72 W	A = 770mm x 170mm (30.3" x 6.7")	Rear connection Light Forming Technology	1166/1510 lx1
112574001 - 00511140	MSAL 180 S	72 W	A = 770mm x 170mm (30.3" x 6.7")	Side connection Light Forming Technology	1166/1510 lx1
112574002 - 00511144	MSAL 180 S	72 W	A = 770mm x 170mm (30.3" x 6.7")	Side connection	926/1201 lx1
112574003 - 00511147	MSAL 180 S	72 W	A = 770mm x 170mm (30.3" x 6.7")	Rear connection	926/1201 lx1

* E_m = medium illuminance; E_{max} = maximum illuminance; ¹ Measuring range 100 cm x 100 cm / Measuring distance 100 cm

USA

Waldmann Lighting Company
9, W. Century Drive
Wheeling, Illinois 60090, USA
Phone +1 847 520-1060
Fax +1 847 520-1730
Toll Free +1 800 634 0007
www.waldmannlighting.com
waldmann@waldmannlighting.com

FRANCE

Waldmann Eclairage S.A.S.
Z.I. Rue de l'Embranchement
F-67116 REICHSTETT
Adresse postale :
BP 23431 Reichstett
F-67455 MUNDOLSHEIM Cedex
Phone +33 (0) 388209588
Fax +33 (0) 388209568
www.waldmann.com
info-fr@waldmann.com

ITALY

Waldmann Illuminotecnica S.r.l.
Via della Pace, 18 A
IT-20098 San Giuliano Milanese (MI)
Phone +39 02 98 24 90 24
Fax +39 02 98 24 63 78
www.waldmann.com
info-it@waldmann.com

NETHERLANDS

Waldmann Lichttechnik BV
Lingewei 19
NL-4004 LK Tiel
Phone +31 (0) 344 - 631019
Fax +31 (0) 344 - 627856
www.waldmann.com
info-nl@waldmann.com

AUSTRIA

Waldmann Lichttechnik Ges.m.b.H.
Gewerbepark Wagram 7
AT-4061 Pasching/Linz
Phone +43 (0)722967400
Fax +43 (0)722967444
www.waldmann.com
info-at@waldmann.com

SWITZERLAND

Waldmann Lichttechnik GmbH
Benkenstasse 57
CH-5024 Küttigen
Phone +41 (0)62 839 1212
Fax +41 (0)62 839 1299
www.waldmann.com
info-ch@waldmann.com

UK

Waldmann Lighting Ltd.
Holme Well Road
Middleton
GB-Leeds LS 10 4TQ
West Yorkshire
Phone +44 1132775662
Fax +44 1132775775
www.waldmann.com
enquiries@waldmannlighting.co.uk

CHINA

Waldmann Lighting (Shanghai) Co. Ltd.
Part A, No. Five Normative Workshop
199 Changjian Road, Baoshan
CN-Shanghai, P.R.C. 200949
Phone +86 21 5169-1799
Fax +86 21 3385-0032
www.waldmann.com
s.lo@waldmann.com.cn

GERMANY

Herbert Waldmann GmbH & Co. KG
Postfach 50 62
D-78057 Villingen-Schwenningen
Phone +49 7720 601-100
Fax +49 7720 601-290
www.waldmann.com
info@waldmann.com

SINGAPORE

Waldmann Lighting Singapore Pte. Ltd.
Blk 168, Jalan Bukit Merah,
#04-09B, Connection One, Tower 3,
Singapore 150168
Phone +65 62758300
Fax +65 62758377
www.waldmann.com
sales@waldmann.com.sg

SWEDEN

Waldmann Ljusteknik AB
Skebokvarnsvägen 370
SE-124 50 Bandhagen
Phone +46 8 990 350
Fax +46 8 991 609
www.waldmann.se
hk@idecenter.se