

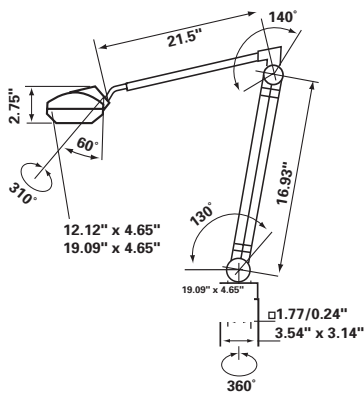
# SNE-136: WORKSTATION LIGHTING



SNE-136



Optional clip-on magnifier lens



The multi-functional SNE-136 task light features a 36-watt compact fluorescent lamp that offers maximum light output. The lamp is available in a variety of Kelvin temperatures to meet a myriad of inspection requirements including applications that require high color temperatures or color correction applications. An optional clip-on magnifier lens is also available.

## FEATURES:

- The SNE-136 offers a 35" arm reach for a variety of inspection applications.
- A 36-watt compact fluorescent lamp is available in three Kelvin temperatures including: 4100K, 5400K, and 6000K to meet a variety of inspection requirements. The 5400K lamp is standard.
- An electronic ballast built into the arm provides additional energy efficiency and flicker-free illumination.
- A parabolic louver system provides glare-free illumination and precise light direction.
- The ergonomic arm and joint design, complete with flexible spring-loaded base, adds to the adjustability of the luminaire.
- A 3d (1.75X) clip-on magnifier lens is optional.
- Add-X lenses which increase magnification are available (see page 20).
- The universal base allows the user the option to mount the light either vertically or horizontally.
- UL and CUL listed.

## ORDERING INFORMATION:

SNE-136, 120V, 5400K, w/35" reach task light, without magnifier, with clamp 138-462-003

Please specify both #'s to order with magnifier (3d clip-on lens) 190-182-019

Includes: 36W, 5400K, compact fluorescent lamp, 6' cord with grounded plug, lens cover, and mounting clamp.

## MOUNTING OPTIONS:

Table Base, Black	190-186-019
Table Base, Light Grey	190-186-039
1/2" Pin Mount Adapter, 3.75" long (for workstations)	US0-209-012
1/2" Pin Mount Adapter, 1.77" long (for workstations)	US0-209-022
Portable Stand, Black, w/ 5-leg base	US1-043-019
Portable Stand, White, w/5-leg base	US1-043-029

## REPLACEMENT PARTS:

Lamp, Fluorescent, PL-L 36W, 4100K (36W)	450-036-M10
Lamp, Fluorescent, PL-L 36W, 5400K (36W)	450-036-190
Lamp, Fluorescent, PL-L 36W, 6000K (36W)	450-036-222

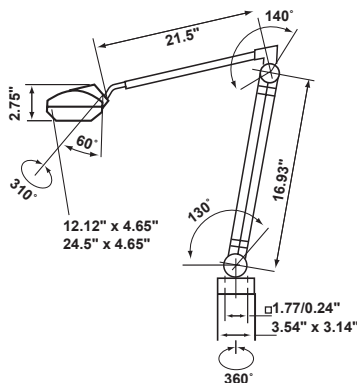
## ACCESSORIES:

Magnifier, Add-X 4d (2X) (Snaps into 3d lens)	190-080-019
Magnifier, Add-X 4d+12d (2X+4X) (Snaps into 3d lens)	190-080-029
Magnifier, 3d (1.75X) Clip-on Lens	190-182-019

# STE-155T: WORKSTATION LIGHTING



STE-155T



The multi-functional STE-155T work light features a 55-watt compact fluorescent lamp that offers maximum light output. An extended 24.5" head with built-in parabolic louvers provides glare-free illumination and precise light direction.

## FEATURES:

- The STE-155T offers a 35" arm reach for a variety of inspection applications.
- A 55-watt compact fluorescent lamp is standard.
- An electronic ballast built into the arm provides additional energy efficiency and flicker-free illumination.
- A parabolic louver system provides glare-free illumination and precise light direction.
- The ergonomic arm and joint design, complete with a flexible spring-loaded base, adds to the adjustability of the luminaire.
- The universal base allows the user the option to mount the light either vertically or horizontally.
- UL and CUL listed.

## ORDERING INFORMATION:

STE-155T, 120V, 5400K, w/35" reach task light, with clamp 138-446-021

Includes: 55W, 5400K, compact fluorescent lamp, 6' cord with grounded plug, lens cover, and mounting clamp.

## MOUNTING OPTIONS:

Table Base, Black	190-186-019
Table Base, Light Grey	190-186-039
1/2" Pin Mount Adapter, 3.75" long (for workstations)	US0-209-012
1/2" Pin Mount Adapter, 1.77" long (for workstations)	US0-209-022
Portable Stand, Black, w/ 5-leg base	US1-043-019
Portable Stand, White, w/5-leg base	US1-043-029

## REPLACEMENT PARTS:

Lamp, Compact Fluorescent, 5400K (55W)	450-055-032
--	-------------