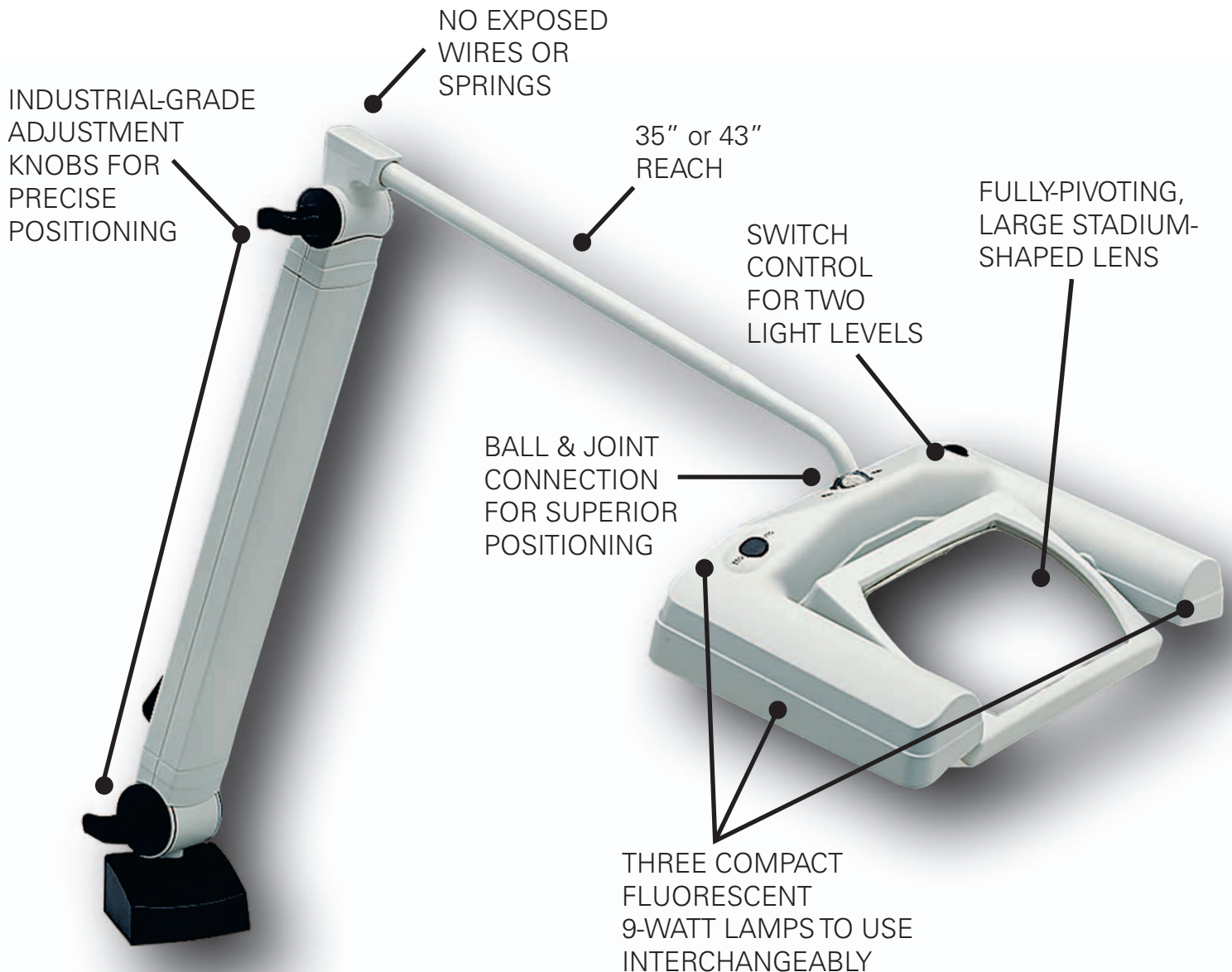


MAGNIFIER SERIES/ WORK STATION LUMINAIRES

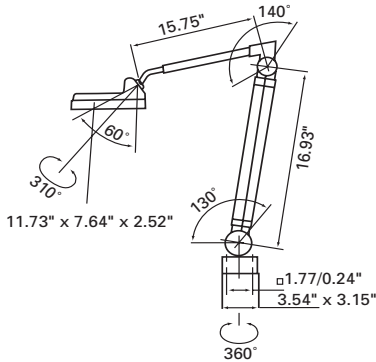
DURABLE AND EASY TO MAINTAIN, THE OMNIVUE AND OMNIVUEMAX (35" AND 43" REACH) MAGNIFIERS ARE THE MOST UNIQUE IN THE INDUSTRY. BACK STRAIN AND FATIGUE ARE MINIMIZED DUE TO THE LARGE STADIUM-STYLE LENS THAT PIVOTS INDEPENDENTLY FROM THE LIGHT SOURCE, ALLOWING PRECISE POSITIONING FROM EVERY ANGLE. THESE MAGNIFIERS ARE PERFECT FOR INSPECTIONS AND ASSEMBLIES. ALSO AVAILABLE IN ESD-SAFE VERSIONS.



OMNIVUE®: 35" REACH MAGNIFIER



Omnivue®



The Omnivue's fully pivoting, large stadium-shaped lens provides optimum viewing and positioning. This allows users to see the inspection area easier – without unnecessary bending or slouching. Glare from overhead lighting is minimized, reducing eye strain.

FEATURES:

- Includes 3 compact fluorescent (5000K) 9-watt lamps which provide 1800 lumens of light and 2 light levels: 18-watts (1200 lumens) of side-to-side lighting or 27-watts (1800 lumens) of light from the top and both sides of the magnifier.
- A 3-diopter, fully-pivoting stadium shaped lens provides precise positioning. A lens cover is included.
- An industrial-grade clamp is included.
- A ball joint attached to the head provides superior positioning.
- A 1/2" pin mount for production workbenches is available.
- A spring-loaded base and middle joint allow easy light adjustment.
- Optional Add-X lenses are available. (See page 20.)

ORDERING INFORMATION:

Omnivue, 120V, 3d, w/35" reach, 118-790-000 with clamp

Includes: Permanently attached magnifier lens with lens cover, 3 compact fluorescent (5000K) 9W lamps, 6' cord with grounded plug, and mounting clamp.

MOUNTING OPTIONS:

Table Base, Black	190-186-019
Table Base, Light Grey	190-186-039
1/2" Pin Mount Adapter, 3.75" long (for workstations)	US0-209-012
1/2" Pin Mount Adapter, 1.77" long (for workstations)	US0-209-022
Portable Stand, Black, with 5-leg base	US1-043-019
Portable Stand, White, with 5-leg base	US1-043-029

REPLACEMENT PARTS:

Lamp, Fluorescent, PL-S 9W, 5000K (3 lamps required)	950-900-038
Lamp, Fluorescent, PL-S 9W/08, BLB, UVA (3 lamps required/Omnivue UVA)	US0-007-013

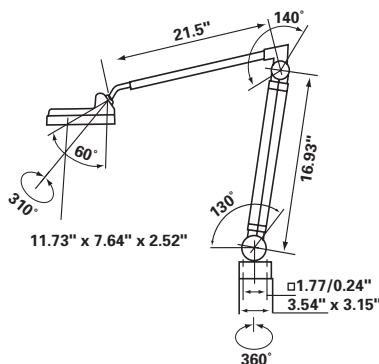
ACCESSORIES:

Magnifier, Add-X 4d (2X) (Add this lens onto the permanent 3d lens to achieve 7d)	190-080-019
Magnifier, Add-X 4d+12d (2X+4X) (Add this lens onto the permanent 3d lens to achieve 7d+15d)	190-080-029

OMNIVUEMAX®: 43" REACH MAGNIFIER



OmnivueMax®



The Omnivue's fully pivoting, large stadium-shaped lens provides optimum viewing and positioning. This allows users to see the inspection area easier – without unnecessary bending or slouching. Glare from overhead lighting is minimized, reducing eye strain.

FEATURES:

- The OmnivueMax offers an extended 43" reach, ideal for production benches and workstations.
- Includes 3 compact fluorescent (5000K) 9-watt lamps which provide 1800 lumens of light and 2 light levels: 18-watts (1200 lumens) of side-to-side lighting or 27-watts (1800 lumens) of light from the top and both sides of the magnifier.
- A 3-diopter large stadium shaped lens provides precise positioning which eliminates unnecessary bending or slouching. A lens cover is included.
- An industrial-grade clamp is included.
- A spring-loaded base and middle joint allow easy light adjustment.
- An optional 1/2" pin mount for production workstations is available.
- Optional Add-X lenses are available. (See page 20.)

ORDERING INFORMATION:

OmnivueMax, 120V, 3d, w/43" reach, with clamp 047-803-000

Includes: Permanently attached magnifier lens with lens cover, 3 compact fluorescent (5000K) 9W lamps, 6' cord with grounded plug, and mounting clamp.

MOUNTING OPTIONS:

Table Base, Black	190-186-019
Table Base, Light Grey	190-186-039
1/2" Pin Mount Adapter, 3.75" long (for workstations)	US0-209-012
1/2" Pin Mount Adapter, 1.77" long (for workstations)	US0-209-022
Portable Stand, Black, with 5-leg base	US1-043-019
Portable Stand, White, with 5-leg base	US1-043-029

REPLACEMENT PARTS:

Lamp, Fluorescent, PL-S 9W, 5000K (3 lamps required)	950-900-038
Lamp, Fluorescent, PL-S 9W/08 BLB UVA (3 lamps required/Omnivue UVA)	US0-007-013

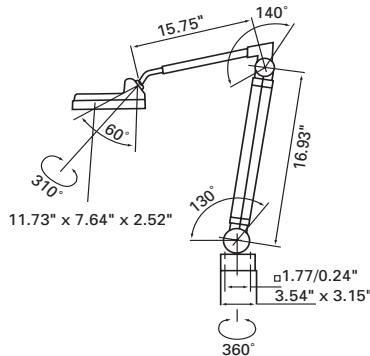
ACCESSORIES:

Magnifier, Add-X 4d (2X) (Add this lens onto the permanent 3d lens to achieve 7d)	190-080-019
Magnifier, Add-X 4d+12d (2X+4X) (Add this lens onto the permanent 3d lens to achieve 7d+15d)	190-080-029

OMNIVUE® ESD: 35" REACH MAGNIFIER



Omnivue ESD



Surface Resistivity	(R _S)	
Plastic Materials	10 ⁶ - 10 ⁹	Ω/square
Diffuser	10 ³ - 10 ⁵	Ω/square
Magnifier	10 ⁴	Ω/square
Varnish	10 ⁵ - 10 ⁹	Ω/square

The Omnivue ESD is coated to meet ESD area specifications. The magnifier is ideal to help maintain the effectiveness of ESD control programs.

FEATURES:

- The Omnivue ESD is produced with static dissipative plastic materials and varnish on steel parts.
- The Omnivue ESD offers a 35" reach for traditional ESD requirements.
- Includes 3 compact fluorescent 9W lamps which provide 1800 lumens and 2 light levels: 18 watts (1200 lumens) of side-to-side lighting or 27 watts (1800 lumens) of light from the top and both sides of the magnifier.
- A 3-diopter, fully-pivoting stadium-shaped lens provides precise positioning.
- The magnifier glass and lens cover are treated with conductive coatings.
- An industrial-grade clamp is included.
- An optional 1/2" pin mount for production workbenches is available.
- Optional Add-X lens increases magnification to 7 diopters (see page 20).
- A spring-loaded base and middle joint allow easy light adjustment.
- All Omnivue models are UL and CUL listed.

ORDERING INFORMATION:

Omnivue ESD, 120V, 3d, w/35" reach, and clamp 138-425-000
Includes: Permanently attached ESD safe magnifier lens with lens cover, 3 compact fluorescent (5000K) 9W lamps, 6' cord with grounded plug, lens cover, and mounting clamp.

MOUNTING OPTIONS:

Table Base, Black	190-186-019
Table Base, Light Grey	190-186-039
1/2" Pin Mount Adapter, 3.75" long (for workstations)	US0-209-012
1/2" Pin Mount Adapter, 1.77" long (for workstations)	US0-209-022
Portable Stand, Black, with 5-leg base	US1-043-019

REPLACEMENT PARTS:

Lamp, Fluorescent, PL-S 9W, 5000K (3 lamps required)	950-900-038
Lamp, Fluorescent, PL-S 9W/08 BLB, UVA (3 lamps required)	US0-007-013

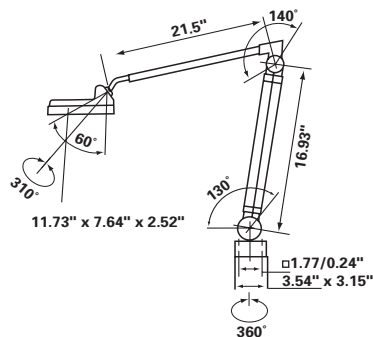
ACCESSORIES:

Magnifier, Add-X 4d (2X) (Use for both: Omnivue ESD and OmnivueMax ESD)	190-080-049
---	-------------

OMNIVUEMAX® ESD: 43" REACH MAGNIFIER



OmnivueMax ESD



Surface Resistivity	(R _S)	
Plastic Materials	10 ⁶ - 10 ⁹	Ω/square
Diffuser	10 ³ - 10 ⁵	Ω/square
Magnifier	10 ⁴	Ω/square
Varnish	10 ⁵ - 10 ⁹	Ω/square

The OmnivueMax ESD is coated to meet ESD area specifications. The magnifier is ideal to help maintain the effectiveness of ESD control programs.

FEATURES:

- The OmnivueMax ESD is produced with static dissipative plastic materials and varnish on steel parts.
- The OmnivueMax ESD offers an extended 43" reach, ideal for ESD workstations and production benches.
- Includes 3 compact fluorescent 9W lamps which provide 1800 lumens and 2 light levels: 18 watts (1200 lumens) of side-to-side lighting or 27 watts (1800 lumens) of light from the top and both sides of the magnifier.
- A 3-diopter stadium shaped lens provides precise positioning.
- The magnifier glass and lens cover are treated with conductive coatings.
- An industrial-grade clamp is included.
- An optional 1/2" pin mount for production workbenches is available.
- Optional Add-X lens increases magnification to 7 diopters (see page 20).
- A spring-loaded base and middle joint allow easy light adjustment.
- All Omnivue models are UL and CUL listed.

ORDERING INFORMATION:

OmnivueMax ESD, 120V, 3d, w/43" reach 138-425-001

Includes: Permanently attached ESD safe magnifier lens with lens cover, 3 compact fluorescent (5000K) 9W lamps, 6' cord with grounded plug, lens cover, and mounting clamp.

MOUNTING OPTIONS:

Table Base, Black	190-186-019
Table Base, Light Grey	190-186-039
1/2" Pin Mount Adapter, 3.75" long (for workstations)	US0-209-012
1/2" Pin Mount Adapter, 1.77" long (for workstations)	US0-209-022
Portable Stand, Black, with 5-leg base	US1-043-019

REPLACEMENT PARTS:

Lamp, Fluorescent, PL-S 9W, 5000K (3 lamps required)	950-900-038
Lamp, Fluorescent, PL-S 9W/08 BLB, UVA (3 lamps required)	US0-007-013

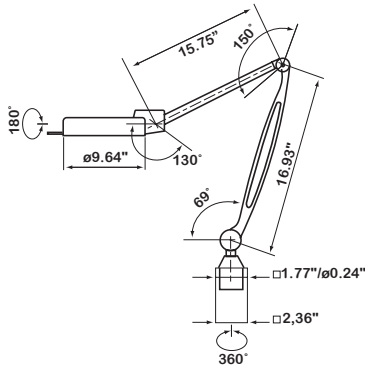
ACCESSORIES:

Magnifier, Add-X 4d (2X) (Use for both: Omnivue ESD and OmnivueMax ESD)	190-080-049
---	-------------

RLLE: RING MAGNIFIER 35" REACH



RLLE-122



The RLLE Series magnifiers are ideal for conventional magnification and inspection lighting. RLLE has a 35" reach.

FEATURES:

- The RLLE offers a pull handle and a 35" reach for traditional inspection applications.
- A permanent optical quality glass lens provides 4 diopters of magnification and is 33% stronger than similar ring magnifiers. A lens cover which protects against dust and scratches is included.
- To increase magnification, the RLLE-122 offers a model with a 12d bonded inset bubble on the 4d lens.
- For stronger magnification, a 4d Add-X lens can be ordered for either RLLE model (see page 20).
- A 22-watt circline lamp provides even light distribution to the work surface and 12,000 hours of lamp life.
- A spring-loaded arm contributes to the adjustability and precise positioning of the light.
- An industrial-grade clamp is included.
- A 1/2" pin mount adapter is available.

ORDERING INFORMATION:

RLLE-122, 120V, 4d, w/37" reach, with clamp	138-442-000
RLLE-122, 120V, 4d+12d, w/37" reach, with clamp	138-442-001

Includes: All models above include (4d or 4d+12d) optical quality glass magnification lens, 22W circline lamp, built-in ballast, protective lens cover, 6' cord, and mounting clamp. (The Add-X lens must be ordered separately)

MOUNTING OPTIONS:

Table Base, Black	190-186-019
Table Base, Light Grey	190-186-039
1/2" Pin Mount Adapter, 3.75" long (for workstations)	US0-209-012
1/2" Pin Mount Adapter, 1.77" long (for workstations)	US0-209-022
Portable Stand, Black, w/5-leg base	US1-043-019
Portable Stand, White, w/5-leg base	US1-043-029

REPLACEMENT PARTS:

Lamp, Fluorescent, FC8T9, 22W, 4100K Circline	450-022-010
---	-------------

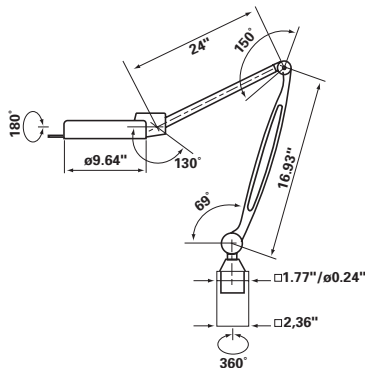
ACCESSORIES:

Magnifier, Add-X 4d (2X)	190-054-019
--------------------------	-------------

RLLE MAX: RING MAGNIFIER 43" REACH



RLLE MAX-122



The RLLE Series magnifiers are ideal for conventional magnification and inspection lighting. RLLE Max has an extended 43" reach.

FEATURES:

- The RLLE Max offers a pull handle and an extended 43" reach, ideal for production benches and workstations or longer length applications.
- A permanent optical quality glass lens provides 4 diopters of magnification and is 33% stronger than similar ring magnifiers. A lens cover which protects against dust and scratches is included.
- To increase magnification, the RLLE-122 offers a model with a 12d bonded inset bubble on the 4d lens.
- For stronger magnification, a 4d Add-X lens can be ordered for either RLLE model (see page 20).
- A 22-watt circline lamp provides even light distribution to the work surface and 12,000 hours of lamp life.
- A spring-loaded arm contributes to the adjustability of the light.
- An industrial-grade clamp is included.
- A 1/2" pin mount adapter is available.

ORDERING INFORMATION:

RLLE-122, Max, 120V, 4d, w/43" reach, with clamp	138-442-005
RLLE-122, Max, 120V, 4d+12d, w/43" reach, with clamp	138-442-009

Includes: All models above include (4d or 4d+12d) optical quality glass magnification lens, 22W circline lamp, built-in ballast, protective lens cover, 6' cord, and mounting clamp. (The Add-X lens must be ordered separately)

MOUNTING OPTIONS:

Table Base, Black	190-186-019
Table Base, Light Grey	190-186-039
1/2" Pin Mount Adapter, 3.75" long (for workstations)	US0-209-012
1/2" Pin Mount Adapter, 1.77" long (for workstations)	US0-209-022
Portable Stand, Black, w/5-leg base	US1-043-019
Portable Stand, White, w/5-leg base	US1-043-029

REPLACEMENT PARTS:

Lamp, Fluorescent, FC8T9, 22W, 4100K Circline	450-022-010
---	-------------

ACCESSORIES:

Magnifier, Add-X 4d (2X)	190-054-019
--------------------------	-------------