

Waldmann **W**

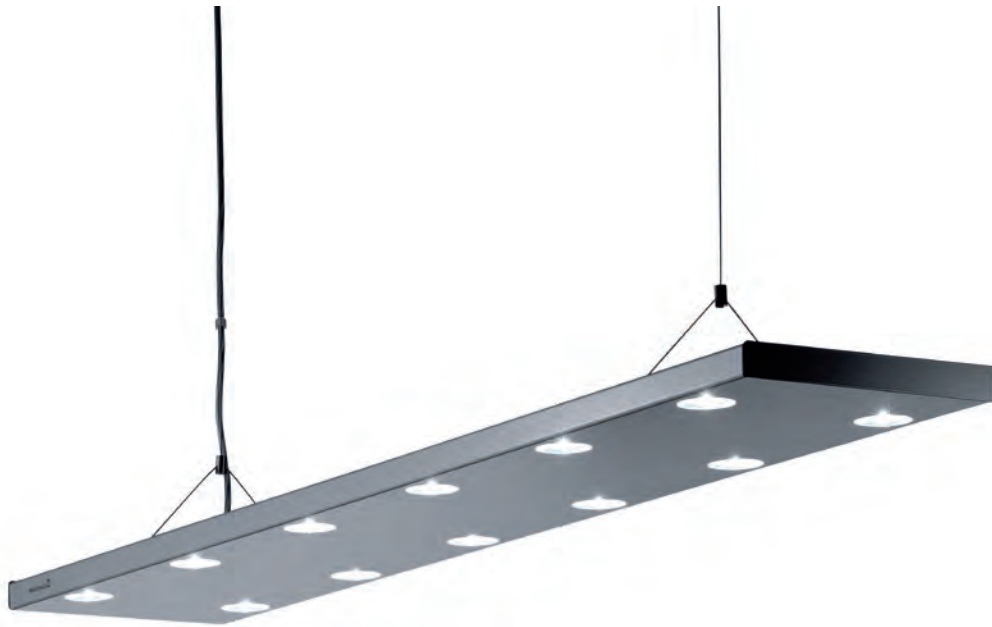
ENGINEER OF LIGHT.

NORTH AMERICA

HYBRID



HYBRID - THE POWER OF TWO LIGHT SOURCES



As a pioneer of functional lighting technology, Waldmann presents a new, completely innovative lighting system of combining advanced LED light technology with proven T5 indirect illumination. Realized in a high-quality, sleekly designed luminaire body, the HYBRID challenges any previous notions of both design and function.

The HYBRID indirect/direct pendant: a world first from Waldmann.

HYBRID is the first luminaire of its type in which LED technology is used as area light

– made possible by Waldmann's specially designed optical system. Its unique design focuses the spot light from individual LEDs and directs them evenly and glare-free onto the work area. The indirect light of the HYBRID also owes its high level of efficiency to cutting-edge reflector geometry: It projects the light of two light-intense and energy-efficient T5 fluorescent lamps evenly and widely onto the ceiling, thereby creating a congenial and harmonious underlying atmosphere. Its appearance alone is flawless. The HYBRID indirect/direct pendant features a clear, cubic design with an

anodized aluminum housing and 12 LED spots that lend the luminaire a modern, almost futuristic appearance.

Further design breakthroughs enable the LEDs and fluorescent lamps to be switched and dimmed separately, creating a myriad of possibilities for convenient and customized lighting. The fact that the HYBRID indirect/direct pendant is also extremely energy-efficient bears out its uncompromising claim to cutting-edge high-tech design.







DIRECT/INDIRECT LIGHT PANEL

The combination of LEDs and fluorescent lamps allows the HYBRID direct/indirect pendant to offer unique possibilities for controlling light. The individual adjustment of the two lighting media allows the creation of numerous lighting moods - based entirely on individual preferences and the task at hand. It is even possible to manually simulate the natural change in light during the course of the day: from clear and cool morning light to balanced and harmonious light at midday, to an evening mood with a high proportion of

warm light. This increases not only well-being, but also the motivation and productivity of employees.

HIGHLIGHTS AT A GLANCE

- Individually adjustable lighting comfort, thanks to separate switching and dimming functions
- Combination of LED and fluorescent lamp sources
- Exclusive, slim panel design
- Energy-saving technology is environmentally friendly
- Technologically unique

CUSTOMIZED LIGHTING SCENES – UNPRECEDENTED CONTROL



A cool light and motivating feeling, thanks to the high proportion of direct LED light.



Balanced, parallel lighting with an even distribution of direct light from LEDs and indirect light from T5 fluorescent lamps.



A warm, calming mood, thanks to the high proportion of indirect illumination from T5 fluorescent lamps.

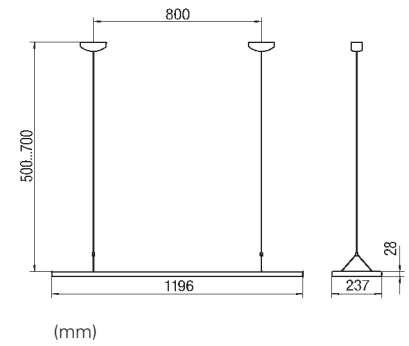


TECHNICAL DATA

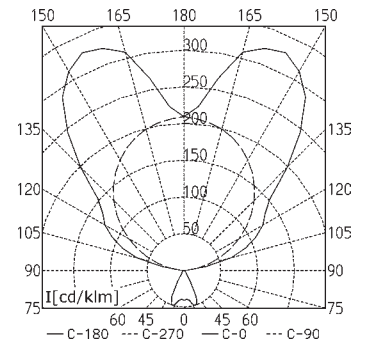
SPECIAL FEATURES

- Integrated LED technology
- LED direct area light
- Indirect light from fluorescent T5 lamps

RATINGS	120V, 50/60Hz
FITTED WITH	2 x T5 54W fluorescent lamps 12 x LED module 2.6W
POWER CABLE	approx. 40", with stranded ends
HOUSING	Aluminum, anodized
WEIGHT	approx. 11.25 lbs.
FASTENING	Steel cord 14 inches
POWER CONSUMPTION	approx. 154W
OPERATION	Without switch
OPERATING DEVICE	Varies according to variant
LUMINAIRE EFFICIENCY	Without cover, 90%
GLARE SUPPRESSION	Specially developed optical PMMA lenses
LIGHT DISTRIBUTION	Mainly indirect
HOUSING COLOUR	Natural anodized



(mm)



PART NUMBER	DESCRIPTION	DIMMING
121 468 038	254-12/2, 4100K LED, 120V	N/A
121 468 039	254-12/2, 4100K LED, 277V	N/A
121 470 *08	254-12/D, 4100K LED, 120V	Fluorescent only
121 470 *09	254-12/D, 4100K LED, 277V	Fluorescent only
121 470 M18	254-12/D, 4100K LED, 120-277V	Fluorescent and LED

*SEE CHART BELOW

CHART FOR FLUORESCENT DIMMING ONLY. LEDS ON/OFF ONLY.

*INSERT LETTER INTO PART NUMBER	DIMMING TYPE
P	2 - wire dimming
L	3 - wire dimming
A	0 -10V dimming
G	Lutron EcoSystem
D	DALI
T	Step Dimming

EXAMPLE: 121 470 A08 WOULD BE A HYBRID 254 12/D, 4100K LED, 120V WITH 0-10V DIMMABLE FLUORESCENT AND ON/OFF ONLY LEDS.

USA

Waldmann Lighting Company
9, W. Century Drive
Wheeling, Illinois 60090, USA
Phone +1 847 520-1060
Fax +1 847 520-1730
Toll Free +1 800 634 0007
www.waldmannlighting.com
waldmann@waldmannlighting.com

FRANCE

Waldmann Eclairage S.A.S.
Z.I. Rue de l'Embranchement
F-67116 REICHSSTETT
Adresse postale :
BP 23431 Reichstett
F-67455 MUNDOLSHEIM Cedex
Phone +33 (0) 388209588
Fax +33 (0) 388209568
www.waldmann.com
info-fr@waldmann.com

ITALY

Waldmann Illuminotecnica S.r.l.
Via della Pace, 18 A
IT-20098 San Giuliano Milanese (MI)
Phone +39 02 98 24 90 24
Fax +39 02 98 24 63 78
www.waldmann.com
info-it@waldmann.com

NETHERLANDS

Waldmann Lichttechnik BV
Lingewei 19
NL-4004 LK Tiel
Phone +31 (0) 344 - 631019
Fax +31 (0) 344 - 627856
www.waldmann.com
info-nl@waldmann.com

AUSTRIA

Waldmann Lichttechnik Ges.m.b.H.
Gewerbepark Wagram 7
AT-4061 Pasching/Linz
Phone +43 (0)722967400
Fax +43 (0)722967444
www.waldmann.com
info-at@waldmann.com

SWITZERLAND

Waldmann Lichttechnik GmbH
Benkenstasse 57
CH-5024 Küttigen
Phone +41 (0)62 839 1212
Fax +41 (0)62 839 1299
www.waldmann.com
info-ch@waldmann.com

UK

Waldmann Lighting Ltd.
Holme Well Road
Middleton
GB-Leeds LS 10 4TQ
West Yorkshire
Phone +44 1132775662
Fax +44 1132775775
www.waldmann.com
enquiries@waldmannlighting.co.uk

CHINA

Waldmann Lighting (Shanghai) Co. Ltd.
Part A, No. Five Normative Workshop
199 Changjian Road, Baoshan
CN-Shanghai, P.R.C. 200949
Phone +86 21 5169-1799
Fax +86 21 3385-0032
www.waldmann.com
s.lo@waldmann.com.cn

GERMANY

Herbert Waldmann GmbH & Co. KG
Postfach 50 62
D-78057 Villingen-Schwenningen
Phone +49 7720 601-100
Fax +49 7720 601-290
www.waldmann.com
info@waldmann.com

SINGAPORE

Waldmann Lighting Singapore Pte. Ltd.
Blk 168, Jalan Bukit Merah,
#04-09B, Connection One, Tower 3,
Singapore 150168
Phone +65 62758300
Fax +65 62758377
www.waldmann.com
sales@waldmann.com.sg

SWEDEN

Waldmann Ljusteknik AB
Skebokvarnsvägen 370
SE-124 50 Bandhagen
Phone +46 8 990 350
Fax +46 8 991 609
www.waldmann.se
hk@idecenter.se