

D<sup>med</sup>® halux

LED EXAMINATION LIGHTS

  
LED





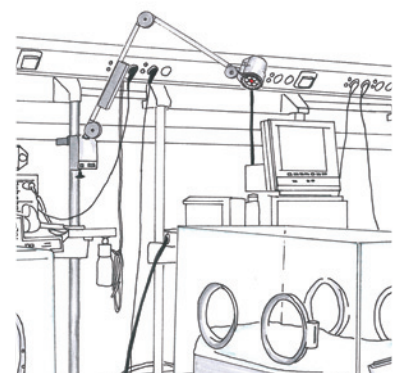
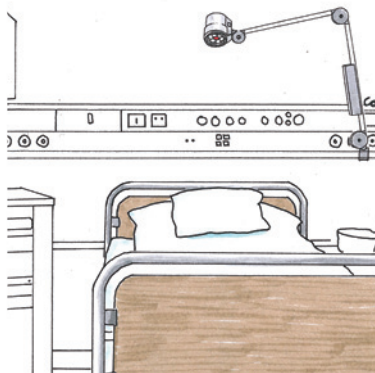
# CLEAR ADVANTAGES FOR THE EXAMINATION AREA

GENERAL MEDICINE, INTENSIVE CARE, NEONATOLOGY

## PRECISE VISION – CLEAR ADVANTAGES

Waldmann Lighting, along with medical division Derungs Medical Lighting, realizes how imperative it is that a medical professional be able to rely on the tools used for examinations for accurate diagnosis and care. Waldmann's Halux LED utilizes the newest LED technology, equipping a variety of examination areas within a healthcare facility with clear, natural lighting, true color rendering, energy efficiency and ergonomic integrity. The Halux LED examination light offers:

- 5 light dimming levels
- Three color temperatures (3500K, 4100K, 4700K)
- Easy access of dimming and light controls on the lamp head
- 50,000 hours maintenance-free at 100% efficiency
- Color rendering index  $R_a = 95$  and  $R_g(\text{red}) \geq 95$
- Heat dissipating to the back of fixture, away from patient and physician
- Newly patented articulating arm system for easy movement during exams
- Arm lengths of up to 47 inches for flexibility
- Cable routing completely integrated into the fixture; no exposed wires
- Wear-resistant joint surfaces, for arm system to hold positioning for years
- 50,000 lux at 20 inches
- Wide ( $\varnothing$  6.7 inches) field of vision





# D<sup>med</sup>® halux LED FEATURES AND BENEFITS

## PRODUCT ADVANTAGES

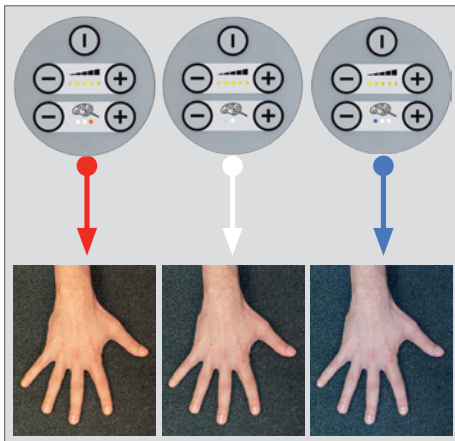
### HIGH QUALITY EXAMINATION LIGHT



Seven powerful LEDs work in tandem to provide 50,000 lux (at 20in), illuminating the exam area with clear, natural color rendering (CRI = 95) for a variety of examinations or procedures. By using a combination of LEDs, the color temperature can be modified according to specific requirements: 3500K, 4100K or 4700K. This allows for distinguishing the most subtle of color tones and characteristics in skin tissue, in full detail. In addition, five dimming levels aid in the comfort of both patient and practitioner.



### COLOR SHADES TO MEET SPECIFIC REQUIREMENTS



Mixing LEDs of different colors is a recent innovation in the domain of medical examination. The Kelvin temperature of the Halux LED can be easily modified to meet the requirements of a specific examination.

The optimum light required for each exam is ensured by giving the user the ability to adjust color temperature as well as light intensity. With the controls clearly set directly on the head of the light, five dimming levels and three color shades are at your fingertips.

#### Three color shades:

|                           |   |
|---------------------------|---|
| 3500 K<br>(warm white)    | Ideal for different types of skin examination   |
| 4100 K<br>(neutral white) | Ideal for general examinations  |
| 4700 K<br>(cold light)    | Ideal for the recognition of different vessels for post operative treatment and small interventions |

### SAFE AND SURE POSITIONING OF THE LIGHT



Waldmann is well known for their arm systems. The articulating arm of the Halux LED holds its position and remains easy to set and manipulate for years. A butterfly screw allows for fine adjustment of the arm and wear-resistant joints ensure that it will stay in its desired position.

Arm lengths of up to 47 inches allow for flexibility. The arm also has a clean (and easy to clean) profile. The wiring is completely integrated into the fixture; no hanging wires to catch on or pull.



# D<sup>med</sup>® halux 20 C L1

GENERAL MEDICINE / INTENSIVE CARE / NEONATOLOGY

## TECHNICAL DATA



D<sup>med</sup>® halux 20 C L1

|                               |  |
|-------------------------------|--|
| LAMPING                       | 1 x LED lamp                                       |
| LUMINOUS POWER                | 50 000 lux / 20in (.5m)                            |
| LUMINATED FIELD 20in (.5m)    | Ø 6.7in (17cm)                                     |
| COLOR TEMPERATURES            | approx. 3500K / 4100K / 4700K                      |
| OPERATING DEVICE              | electronic converter                               |
| POWER SUPPLY                  | 100-240V; 50/60Hz                                  |
| CORD LENGTH                   | approx. 6.5ft (2m)                                 |
| WEIGHT                        | approx. 16.5lbs (7.5kg)                            |
| POWER CONSUMPTION             | approx. 25W  |
| USAGE                         | touch panel  |
| BALANCE OF ARTICULATED JOINTS | friction   |
| PROTECTION CLASS              | I  |
| IEC STANDARDS MET             | EN 60601-1, EN 60601-2-41                          |
| SPECIAL FEATURES              | 3 color shades, 5 dimming levels, maintenance free |
| MOUNTING                      | ceiling mount                                      |

## PART NUMBERS

D<sup>med</sup>® halux

VERSION

PART NO.

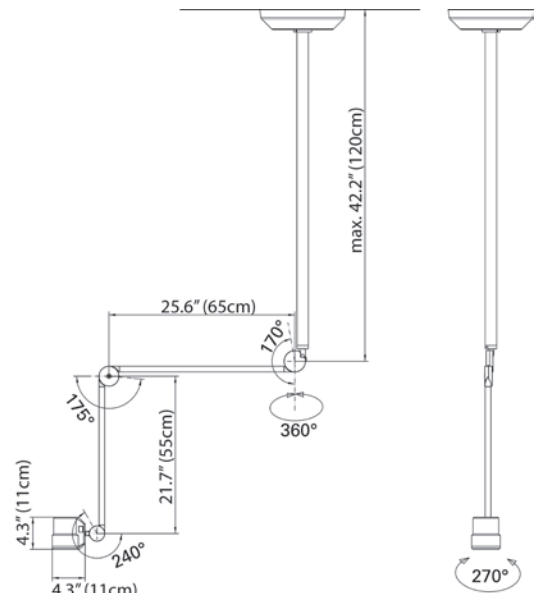
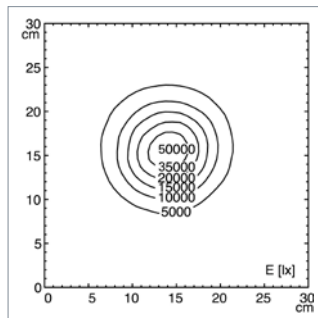
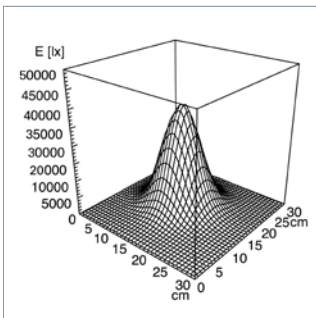
LED 20 CL1

Ceiling Mounted

D14947000

## LIGHT DISTRIBUTION

## TECHNICAL DRAWING



# D<sup>med</sup>® halux LED 20 P LX, halux 20 P SX

GENERAL MEDICINE / DERMATOLOGY / GYNECOLOGY

TECHNICAL DATA



D<sup>med</sup>® halux 20 P SX



D<sup>med</sup>® halux 20 P LX

|                               |  |
|-------------------------------|--|
| LAMPING                       | 1 x LED lamp                                       |
| LUMINOUS POWER                | 50 000 lux / 20in (.5m)                            |
| LUMINATED FIELD 20in (.5m)    | Ø 6.7in (17cm)                                     |
| COLORTEMPERATURE              | approx. 3500K / 4100K / 4700K                      |
| OPERATING DEVICE              | electronic converter                               |
| POWER SUPPLY                  | 100-240V; 50/60Hz                                  |
| CORD LENGTH                   | approx. 2m   |
| WEIGHT                        | approx. 3.3lbs (1.5kg)                             |
| POWER CONSUMPTION             | approx. 25W  |
| USAGE                         | touch panel, rocker switch (I/O)                   |
| BALANCE OF ARTICULATED JOINTS | friction   |
| PROTECTION CLASS              | I  |
| ACCESSORY                     | additional power supply cords available            |
| IEC STANDARDS MET             | EN 60601-1, EN 60601-2-41                          |
| SPECIAL FEATURES              | 3 color shades, 5 dimming levels, maintenance free |
| MOUNTING OPTIONS              | table, floor stand, wall, or rail                  |

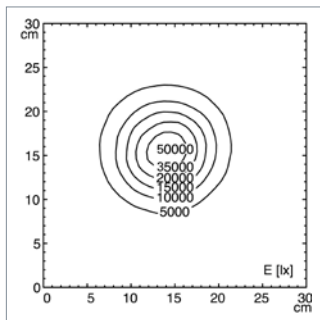
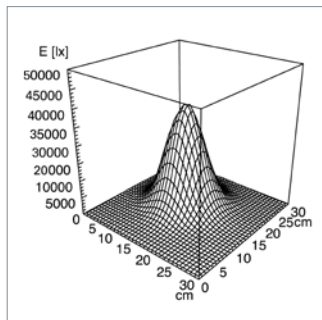
PART NUMBERS

| D <sup>med</sup> ® halux LED 20 P LX | VERSION                         | ORDER NO. |
|--------------------------------------|---------------------------------|-----------|
| Hospital Grade US Plug               | Articulating Arm                | D14975000 |
| Hospital Grade US Plug               | Articulating Arm w/ Clamp       | D14975100 |
| Hospital Grade US Plug               | Articulating Arm w/ Floor Stand | D14975110 |
| Hospital Grade US Plug               | Articulating Arm w/Wall Mount   | D14975120 |
| Hospital Grade US Plug               | Articulating Arm w/ Rail Mount  | D14975150 |

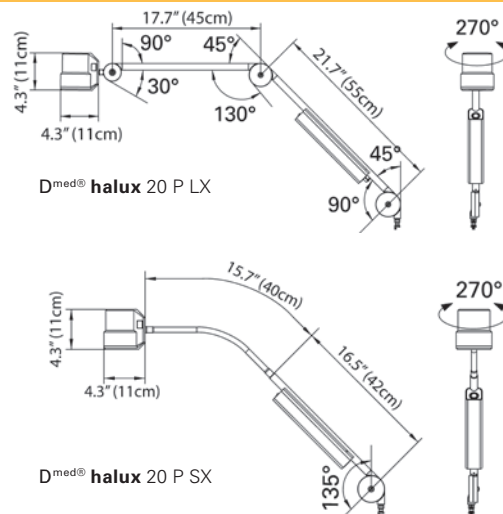
  

| D <sup>med</sup> ® halux LED 20 P SX | VERSION                         | ORDER NO. |
|--------------------------------------|---------------------------------|-----------|
| Hospital Grade US Plug               | Articulating Arm                | D15051000 |
| Hospital Grade US Plug               | Articulating Arm w/ Clamp       | D15051100 |
| Hospital Grade US Plug               | Articulating Arm w/ Floor Stand | D15051110 |
| Hospital Grade US Plug               | Articulating Arm w/Wall Mount   | D15051120 |
| Hospital Grade US Plug               | Articulating Arm w/ Rail Mount  | D15051150 |

LIGHT DISTRIBUTION



TECHNICAL DRAWING



**USA**

Waldmann Lighting Company  
9, W. Century Drive  
Wheeling, Illinois 60090, USA  
Phone +1 847 520-1060  
Fax +1 847 520-1730  
Toll Free +1 800 634 0007  
www.waldmannlighting.com  
waldmann@waldmannlighting.com

**FRANCE**

Waldmann Eclairage S.A.S.  
Z.I. Rue de l'Embranchement  
F-67116 REICHSTETT  
Adresse postale :  
BP 23431 Reichstett  
F-67455 MUNDOLSHEIM Cedex  
Phone +33 (0) 388209588  
Fax +33 (0) 388209568  
www.waldmann.com  
info-fr@waldmann.com

**ITALY**

Waldmann Illuminotecnica S.r.l.  
Via della Pace, 18 A  
IT-20098 San Giuliano Milanese (MI)  
Phone +39 02 98 24 90 24  
Fax +39 02 98 24 63 78  
www.waldmann.com  
info-it@waldmann.com

**NETHERLANDS**

Waldmann Lichttechnik BV  
Lingewei 19  
NL-4004 LK Tiel  
Phone +31 (0) 344 - 631019  
Fax +31 (0) 344 - 627856  
www.waldmann.com  
info-nl@waldmann.com

**AUSTRIA**

Waldmann Lichttechnik Ges.m.b.H.  
Gewerbepark Wagram 7  
AT-4061 Pasching/Linz  
Phone +43 (0)722967400  
Fax +43 (0)722967444  
www.waldmann.com  
info-at@waldmann.com

**SWITZERLAND**

Waldmann Lichttechnik GmbH  
Benkenstasse 57  
CH-5024 Küttigen  
Phone +41 (0)62 839 1212  
Fax +41 (0)62 839 1299  
www.waldmann.com  
info-ch@waldmann.com

**UK**

Waldmann Lighting Ltd.  
Holme Well Road  
Middleton  
GB-Leeds LS 10 4TQ  
West Yorkshire  
Phone +44 1132775662  
Fax +44 1132775775  
www.waldmann.com  
enquiries@waldmannlighting.co.uk

**CHINA**

Waldmann Lighting (Shanghai) Co. Ltd.  
Part A, No. Five Normative Workshop  
199 Changjian Road, Baoshan  
CN-Shanghai, P.R.C. 200949  
Phone +86 21 5169-1799  
Fax +86 21 3385-0032  
www.waldmann.com  
s.lo@waldmann.com.cn

**GERMANY**

Herbert Waldmann GmbH & Co. KG  
Postfach 50 62  
D-78057 Villingen-Schwenningen  
Phone +49 7720 601-100  
Fax +49 7720 601-290  
www.waldmann.com  
info@waldmann.com

**SINGAPORE**

Waldmann Lighting Singapore Pte. Ltd.  
Blk 168, Jalan Bukit Merah,  
#04-09B, Connection One, Tower 3,  
Singapore 150168  
Phone +65 62758300  
Fax +65 62758377  
www.waldmann.com  
sales@waldmann.com.sg

**SWEDEN**

Waldmann Ljusteknik AB  
Skebokvarnsvägen 370  
SE-124 50 Bandhagen  
Phone +46 8 990 350  
Fax +46 8 991 609  
www.waldmann.se  
hk@idecenter.se