

Waldmann **W**

ENGINEER OF LIGHT.

NORTH AMERICA

GENEVA





GENEVA

OPTIMUM TASK LIGHTING FOR 9-1-1 DISPATCH CONSOLES, CALL CENTERS, AND MARKET TRADING DESKS.

Adjustable, Glare-free Task Lighting 24/7

Whatever type of communication center you are lighting, the Geneva offers complete adjustability for virtually any configuration. The fully adjustable arms are easily positioned to adapt to individual operator needs, necessary when shift work is being performed. When reading screen information clearly is critical for performance, choose the Geneva.

Eliminate Workstation Glare

The Geneva features an aluminized parabolic louver, built into the head, which provides glare-free illumination to the document area or screen and eliminates eyestrain and fatigue. This is especially important for communication centers due to

the intense nature of the work. Light intensity shifts (transient adaptation) which cause constant eye adjustment to different lighting levels is minimized. Efficiency is improved, errors are reduced!

Convenient 3-Position Switch

The 3-position switch allows you to choose between different lighting levels for a variety of tasks. The Geneva model allows you to use 9- or 18-watts of compact fluorescent light. These high efficiency lamps are cool to the touch and offer a 10,000 hour lamp life and 1200 lumens which is equivalent to at least a 100-watt incandescent bulb. If you like an output color closer to incandescent, choose 3500K lamps. For a more conventional office lighting color choose 4100K lamps.

Soft Lighting Option

This model is specially designed with a black parabolic louver (5/8" grid) combined with 3500K color temperature lamps to soften light contrast in a darkened room.

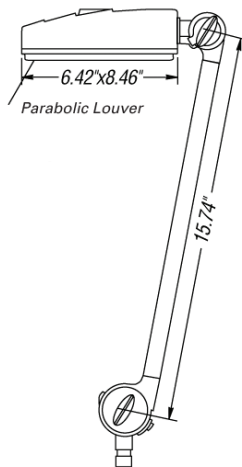
Geneva is available in Black and Light Grey with a single or twin vertical articulated arm which attaches by table base, clamp, bracket, or grommet.

When you're searching for task lighting, make the perfect choice. Geneva by Waldmann. Engineered for the 21st Century.

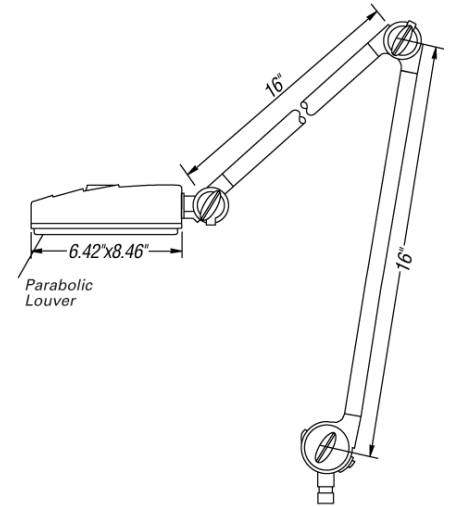
Maximize your lighting experience by adding Waldmann Indirect Lighting. Call us for more information, or visit our web site today to view our complete line at: www.waldmannlighting.com

Geneva Ordering Information			
Single Arm-2x9 watts, Black	118-150-001	Mounting Options	
Single Arm-2x9 watts, Light Grey	118-150-006	Table Clamp	200-498-039
Twin Vertical Arm-2x9 watts, Black	118-050-001	Table Clamp (for rounded surfaces)	191-025-069-40
Twin Vertical Arm-2x9 watts, Light Grey	118-050-006	Wall Bracket	308-218-109
Specifications		Round Table Base	190-186-019
Weight = approx. 6 lbs.		Rectangular Table Base	190-037-019
Power consumption = approx. 20W		Single Arm Table Base	190-101-019
		Grommet	203-332-019
		Replacement Lamps	
		9-watt, 3500K	950-900-003
		9-watt, 4100K (Standard)	450-009-120
		9-watt, 5000K	950-900-038

Geneva Single Vertical Arm

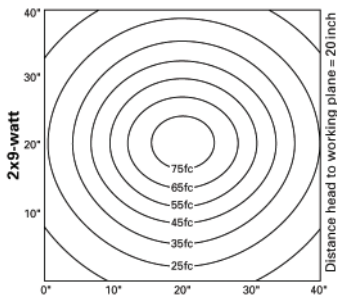


Geneva Twin Vertical Arm

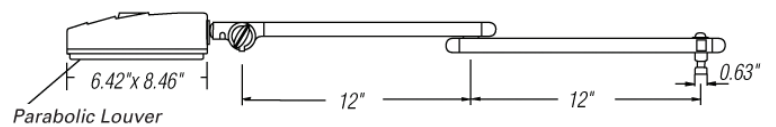


FOOTCANDLE LINES OF ILLUMINATION

All measurements are stated in footcandles



Geneva Twin Horizontal Arm



Waldmann Lighting Company
9, W. Century Drive
Wheeling, Illinois 60090
USA
Telephone (847) 520 1060
Fax (847) 520 1730
www.waldmannlighting.com
waldmann@waldmannlighting.com

Herbert Waldmann GmbH & Co. KG
P.O. Box 5062
78057 Villingen-Schwenningen
Germany
Telephone +49 7720 601 100
Fax +49 7720 601 290
www.waldmann.com
info@waldmann.com

Waldmann Lichttechnik GmbH
Benkenstrasse 57
5024 Küttigen
Switzerland
Telephone +41 62 839 12 12
Fax +41 62 839 12 99
www.waldmann.com
info-ch@waldmann.com

Derungs Medical Lighting
Hofmattstrasse 12
9200 Gossau
Switzerland
Telephone +41 71 388 11 66
Fax +41 71 388 11 77
www.derungslicht.com
mailbox@derungslicht.com

Waldmann Eclairage S.A.S
BP 23431
Reichstett
67455 Mundolsheim Cedex
France
Telephone +33 3 8820 9588
Fax +33 3 8820 9568
www.waldmann.com
info-fr@waldmann.com

Waldmann Lichttechnik Ges.m.b.H
Gewerbepark Wagram 7
4061 Pasching/Linz
Austria
Telephone +43 7229 67 400
Fax +43 7229 67 444
www.waldmann.com
info-at@waldmann.com

Waldmann Illuminotecnica s.r.l.
Via della Pace, 18 A
20098 S. Giuliano M. se (MI)
Italy
Telephone +39 02 9824 9024
Fax +39 02 9824 6378
www.waldmann.com
info-it@waldmann.com

Waldmann Medische Technik BV
Lingewei 19
4004 LK Tiel
Netherlands
Telephone +31 344 631 019
Fax +31 344 627 856
www.waldmann.com
info-nl@waldmann.com

Waldmann Ljusteknik
Skebokvarnsvägen 370
124 50 Bandhagen
Sweden
Telephone +46 8 990 350
Fax +46 8 991 609
www.waldmann.se
hk@waldmann.se

Waldmann Lighting Singapore Pte. Ltd.
Blk 168, Jalan Bukit Merah Tower 3,
04-09 B
SG-Singapore 150168
Telephone +65 6275 8300
Fax +65 6275 8377
www.waldmann.com
waldmann@singnet.com.sg

Waldmann Lighting (Shanghai) Co. Ltd.
Part A, No. Five Normative Workshop
199 Chang Jian Road, Baoshan
Shanghai, PRC 200949
Telephone +86 2151 691799
Fax +86 2133 850032
www.waldmann.cn
info@waldmann.com.cn