

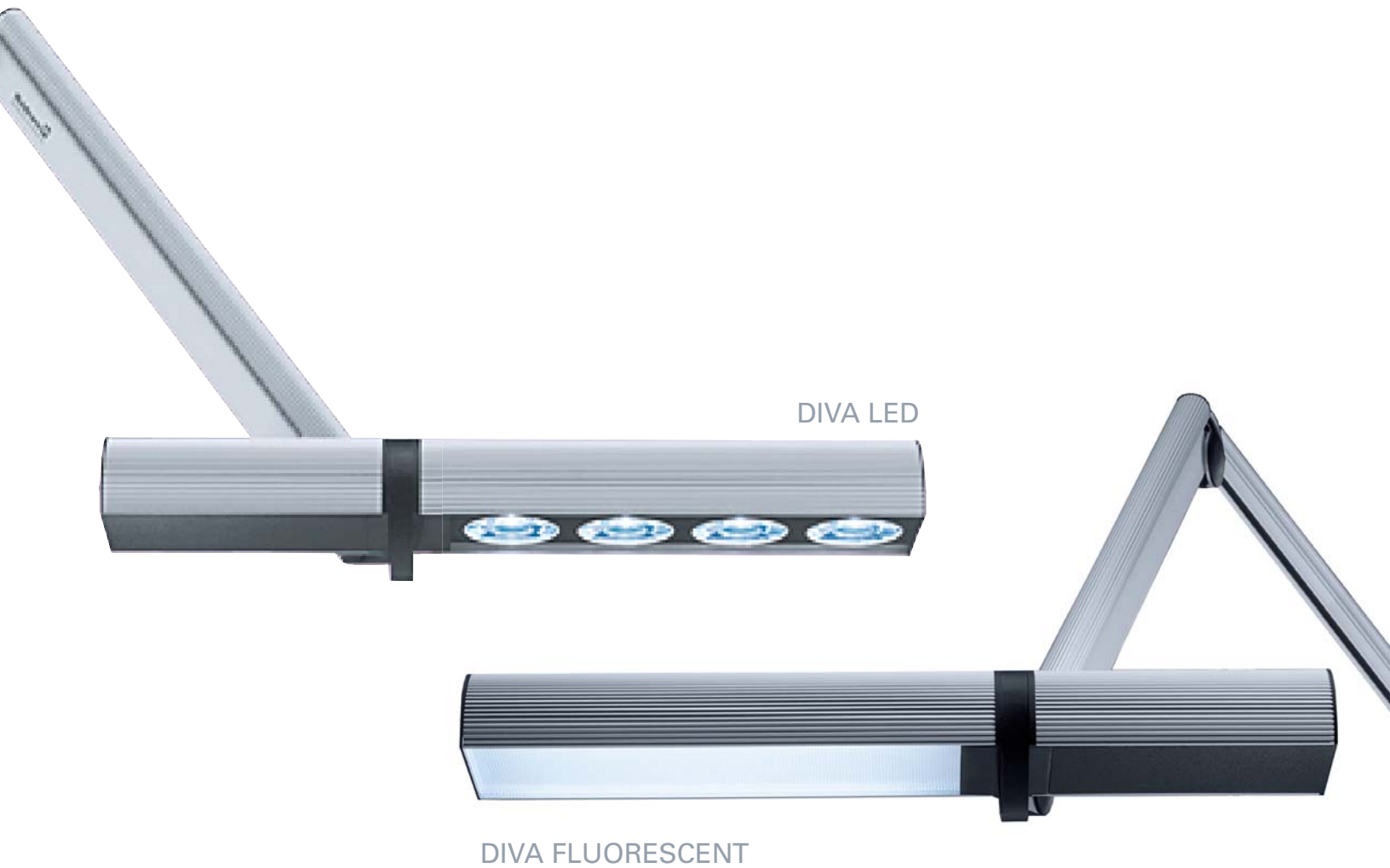
# Waldmann **W**

ENGINEER OF LIGHT.

NORTH AMERICA

DIVA





DIVA LED

DIVA FLUORESCENT

## DIVA

### LIGHT IN ITS MOST BEAUTIFUL FORM.

State-of-the-art tasklights are a very important part of designing a workspace. Their versatility and closeness to the workstation allow them to be set for any visual task with ease, thereby ensuring ideal lighting conditions at all times - especially at computer monitor workstations where the wrong illumination can quickly lead

to annoying reflections and glare. It is also essential that the tasklight have a number of basic functional features. Apart from effective protection against glare, the ideal tasklight should include an adjustable luminaire head, flicker suppression, and low heat radiation, as well as low energy and maintenance costs. These are precisely the characteristic

features of the tasklights in the diva range. Designed using the latest technology from the field of lighting ergonomics, diva combines technical lighting know-how and proven Waldmann quality with an extra special something for the eye: the multi-award winning design of F.A. Porsche.

DIVA 900

TECHNICAL DATA

LED TASK LIGHT



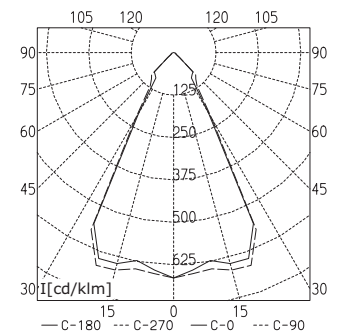
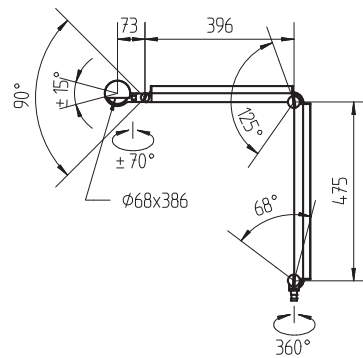
RATINGS	120V, 50/60Hz
FITTED WITH	4 x LED 3W
POWER CABLE	approx. 10 ft; standard plug
HOUSING	Aluminum profile, anodized
ARMS	Aluminum profile, anodized
FASTENING	Table base/table clamp/wall bracket (accessories)
WEIGHT	approx. 4 lbs
POWER CONSUMPTION	approx. 13W
OPERATION	Switch
BALANCED JOINT	Spring
CLASS OF PROTECTION	II

SPECIAL FEATURES

- LED technology

ORDERING INFORMATION

TYPE/MODEL	PTLE 4
OPERATING DEVICE	Transformer
HOUSING COLOR	Aluminum anodized
TECHNOLOGY	Switchable
ORDER NO.	112-445-002



DIVA 910

TECHNICAL DATA

FLUORESCENT TASK LIGHT



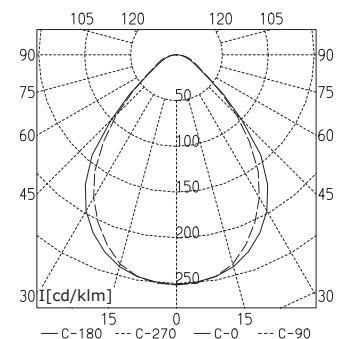
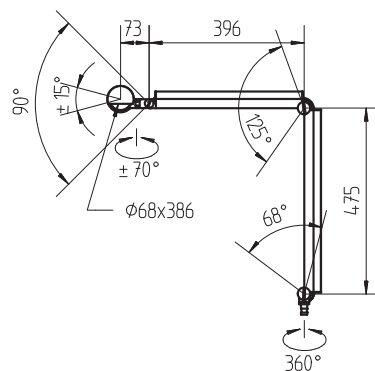
RATINGS	120V, 50/60Hz
FITTED WITH	1 x compact fluorescent lamp TC-SEL 11W
POWER CABLE	approx. 10 ft; standard plug
HOUSING	Aluminum profile, anodized
ARMS	Aluminum profile, anodized
FASTENING	Table base/table clamp/wall bracket (accessories)
WEIGHT	approx. 3.3 lbs
POWER CONSUMPTION	approx. 12W
OPERATION	Switch
GLARE SUPPRESSION	Microprism lens
BALANCED JOINT	Spring
CLASS OF PROTECTION	II

SPECIAL FEATURES

- Double-arm model
- Compact fluorescent lamp 11W
- Light-amplifying microprism lens

ORDERING INFORMATION

TYPE/MODEL	PTE 111
OPERATING DEVICE	Electronic ballast
HOUSING COLOUR	Aluminum anodized
TECHNOLOGY	Switchable
ORDER NO.	138-470-000



DIVA 920

TECHNICAL DATA

FLUORESCENT SINGLE-ARM TASK LIGHT



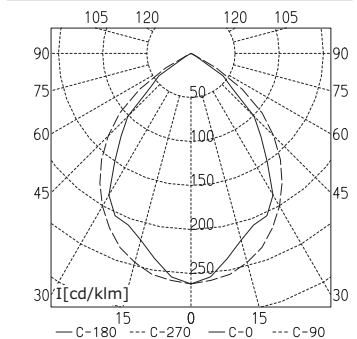
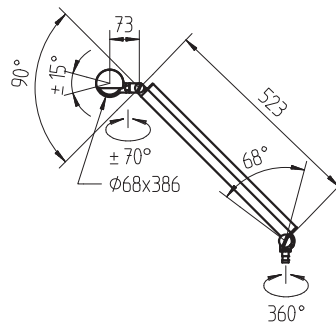
RATINGS	120V 50/60Hz
FITTED WITH	1 x compact fluorescent lamp TC-SEL 11W
POWER CABLE	approx. 11 ft; standard plug
HOUSING	Aluminum profile, anodized
ARMS	Aluminum profile, anodized
FASTENING	Table base/table clamp/wall bracket (accessories)
WEIGHT	approx. 3 lbs
POWER CONSUMPTION	approx. 12W
OPERATION	Switch
GLARE SUPPRESSION	Microprism lens
BALANCED JOINT	Spring
CLASS OF PROTECTION	II

SPECIAL FEATURES

- Single-arm model
- Compact fluorescent lamp 11W
- Light-amplifying microprism lens

ORDERING INFORMATION

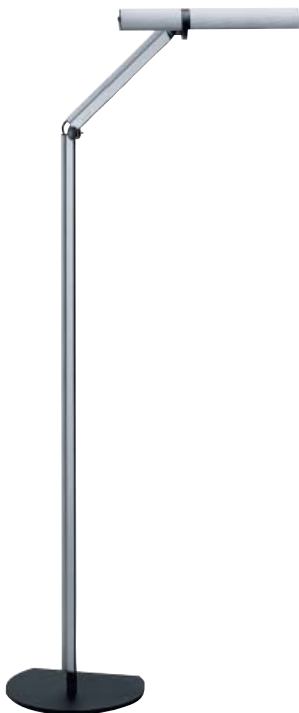
TYPE/MODEL	MPT E 111
OPERATING DEVICE	Electronic ballast
HOUSING COLOUR	Aluminum anodized
TECHNOLOGY	Switchable
ORDER NO.	138-469-000



DIVA 930

TECHNICAL DATA

FLUORESCENT FLOORSTAND TASK LIGHT



RATINGS	120V, 50/60 Hz
FITTED WITH	1 x compact fluorescent lamp TC-SEL 11W
POWER CABLE	approx. 7.5 ft; standard plug
HOUSING	Aluminum profile, anodized
ARMS	Aluminum profile, anodized
WEIGHT	approx. 14.25 lbs
POWER CONSUMPTION	approx. 12W
OPERATION	Switch
GLARE SUPPRESSION	Microprism lens
BALANCED JOINT	Spring
CLASS OF PROTECTION	II

SPECIAL FEATURES

- Free-standing luminaire
- Compact fluorescent lamp 11W
- Light-amplifying microprism lens (new)

ORDERING INFORMATION

TYPE/MODEL	PSE 111
OPERATING DEVICE	Electronic ballast
HOUSING COLOUR	Aluminum anodized
TECHNOLOGY	Switchable
ORDER NO.	112-327-M10

