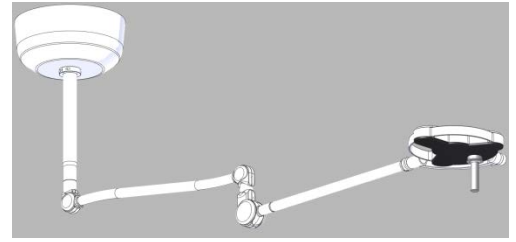


TECHNICAL DATA

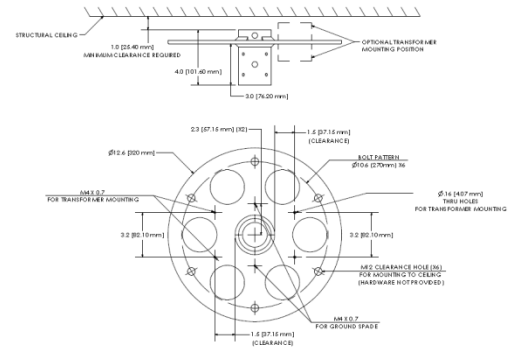
TREATMENT LIGHTS

FITTED WITH	1 x LED lamp
LUMINOUS POWER	55 000 Lux / 1.0 m
ILLUMINANCE FIELD 1.0 M	Ø 6.3in (16cm)
COLOR RENDERING INDEX (CRI)	>95
COLOR TEMPERATURE	approx. 4500K
WORK EQUIPMENT	electronic converter
CONNECTED LOAD	100-240V, 50/60Hz
APPROVAL	ETL/cETL
LUMINAIRE MATERIALS	head - polycarbonate & acrylonitrile butadiene styrene copolymer (PC & ABS); arm - metal
POWER CONSUMPTION	approx. 30W
USAGE	rotary dimmer switch on the luminaire head
TECHNOLOGY	continuously dimmable
WEIGHT	40lb (18kg)

CLASS OF PROTECTION	I
ACCESSORY (optional)	mounting ring, transformer relocation kit
NORMS	EN 60601-1, EN 60601-2-41, EN 60601-1-2
SPECIAL FEATURES	sterilizable handle included
FASTENING	ceiling mount to structural ceiling, tube can be field cut to length (150 - 500mm)
SYSTEM OF PROTECTION	IP43

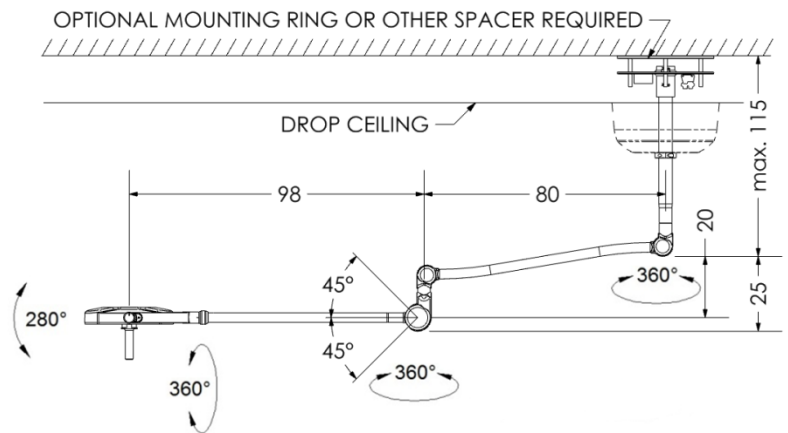
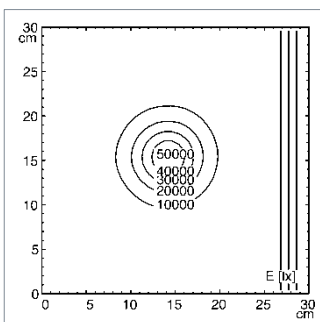
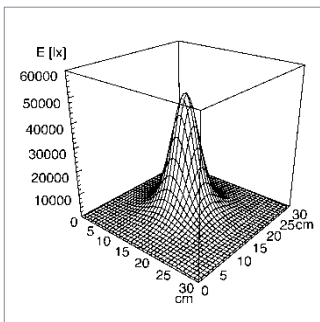


triango 30 C



LIGHT DISTRIBUTION

TECHNICAL DRAWING



Dimensions in centimeters