

DLite® vanera Bed 54/54 W - D14755000

TECHNICAL DATA

ROOM LIGHTS

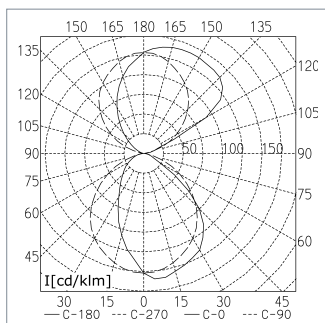
FITTED WITH	2 x fluorescent lamp T5 54 W - D68890000
LIGHT DISTRIBUTION	general lighting; indirect 54 W examination lighting; indirect/direct 2x54 W lighting for reading; direct 54 W
WORK EQUIPMENT	electronic ballast, micro switch
CONNECTED LOAD	120-277V; 50/60Hz
MAINS LEAD	direct power supply
LUMINAIRE BODY	aluminium anodized
WEIGHT (NET)	approx. 4,0 kg (8.8 lbs)
POWER CONSUMPTION	approx. 122 W
USAGE	without switch
LAMP COVER	prismatic profile; PMMA
TECHNOLOGY	single switchable
CLASS OF PROTECTION	I
NORMS	EN 60598-1, EN 60598-2-25
FASTENING	wall mount
GLARE-FREE	special asymmetric beam technique



LIGHT DISTRIBUTION

TECHNICAL DRAWING

with front cover



Dimensions in cm.

