

DLite® amadea 2x54 C - D14125000

TECHNICAL DATA

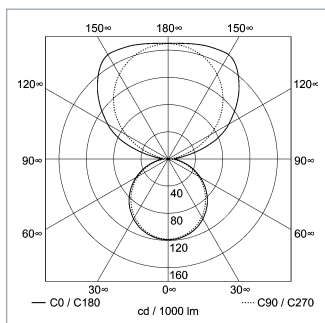
ROOM LIGHTS

FITTED WITH	2 x fluorescent lamp T5 54 W - D68890000
LIGHT DISTRIBUTION	general lighting indirect/direct
WORK EQUIPMENT	electronic ballast
CONNECTED LOAD	120 V; 60 Hz
MAINS LEAD	direct power supply
LUMINAIRE BODY	aluminium powder-coated
WEIGHT (NET)	approx. 4,8 kg (10.6 lbs)
POWER CONSUMPTION	approx. 117 W
USAGE	without switch
LAMP COVER	Acrylic satine
TECHNOLOGY	not single switchable
CLASS OF PROTECTION	I
NORMS	EN 60598-1, EN 60598-2-25
SPECIAL FEATURES	Luminaire Minergie
FASTENING	ceiling fastening
ORDER NUMBER	D14125000 - silver



LIGHT DISTRIBUTION

TECHNICAL DRAWING



Dimensions in cm.

