

**Derungs** 

MEDICAL LIGHTING

**Waldmann** 

ENGINEER OF LIGHT.

**D<sup>lite</sup>® Amadea** DIRECT/INDIRECT HEALTHCARE & SENIOR CARE LIGHTING



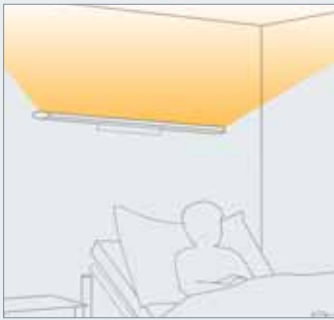
## Dlite® AMADEA

### PATIENT & RESIDENT ROOMS

The care and comfort of patients and residents in a healthcare setting is top priority. Lighting is a very effective way to create a comfortable environment, but it's imperative that it be multi-functional as well. The **Amadea** series offers a safe, efficient patient room lighting solution that delivers superior performance for patients and staff. Four-circuit functionality includes ambient and exam lighting, a night light for safety, and an optional reading light.

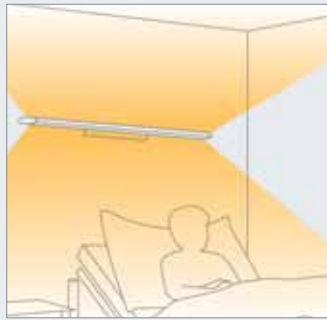
#### FEATURES & BENEFITS

- Versatile lighting solutions for patients, residents and staff
- Simple and convenient switching for various applications
- Sleek, modern design to blend with any décor



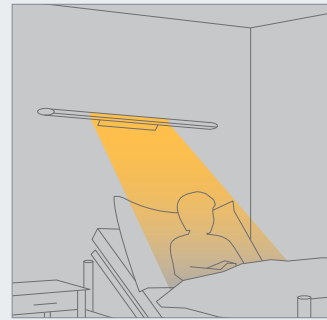
##### AMBIENT LIGHT

The indirect function distributes a pleasant, comfortable light towards the ceiling to bathe the room in "daylight". This type of lighting can affect mood and state of mind.



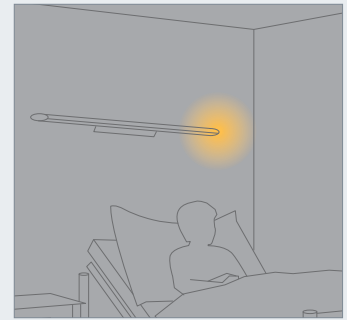
##### EXAMINATION LIGHT

Minor examination and patient care is perhaps where light quality is most important. The combination of direct/indirect lighting, used together or independently, provides staff the ability to see clearly without glare or shadows.



##### READING LIGHT

An optional reading light with an asymmetrical reflector system, allows the patient/resident to read in bed comfortably without glare or shadows. It projects the light forward to a comfortable angle, making this light ideal for reading or for minor examinations of the head or upper torso.



##### NIGHT LIGHT

The discreet night light is helpful in offering orientation in the room for both patient and staff.





## Dlite® AMADEA

### CORRIDORS / SOCIAL ROOMS / STAIRWELLS

Dlite® **Amadea** is a very effective solution for corridors, stairways and public areas where people meet to socialize. Lights in these areas are switched to the "on" position 24/7 and should really be energy-efficient. **Amadea's** T5HO fluorescent lamps, electronic ballasts, and its Double Reflector System use exceptionally low power consumption. The combination of direct and indirect lighting gives the appearance of a larger, wider area, and the warm 3000K illumination lends itself to a comfortable environment.

#### FEATURES AND BENEFITS

- Shade and reflection-free lighting reduces the risk of falls and accidents
- Direct/indirect light on ceilings and walls optically widens and brightens corridors
- Easy to clean and maintain
- Flawless lighting results in less eyestrain, more visual acuity, increased productivity, motivation and a feeling of well-being for patients and staff
- Conserves energy with T5HO lamps, electronic ballasts and Double Reflector System





# Dlite® Amadea Bed 54/54W

## PATIENT ROOM 4FT. LUMINAIRE

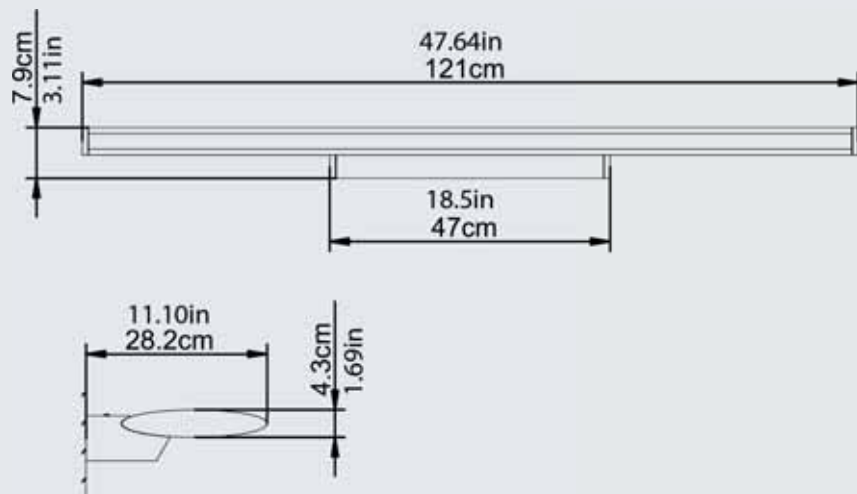
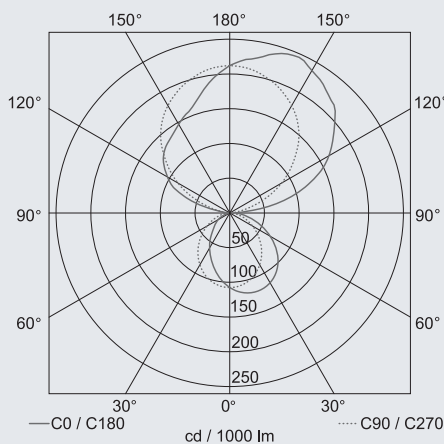
### TECHNICAL DATA

LAMPING	2 x 54W T5HO fluorescent lamps 1 x 24W T5HO fluorescent lamp (optional reading light)
LIGHT DISTRIBUTION	Ambient light: Indirect 54W Examination light: Direct/Indirect 54W Reading light: Direct 24W Night Light: 5-7W
REFLECTOR	DRS Double Reflector System
SUPPLY VOLTAGE	120-277V, 50/60Hz
POWER CONNECTION	To be provided by owner
INSTALLATION	Wall mount
LAMP HOUSING	Aluminum, powder-coated
DIFFUSER	Acrylic
WEIGHT (net)	Approx. 14lbs.
COLOR TEMPERATURE	3000K
POWER CONSUMPTION	Approx. 129W to 156W, dep. on version
USAGE	Remotely switched (wall or pillow switch not included - supplied by owner)
REPLACEMENT LAMP	D68-890-000 - 54W, warm white D68-892-000 - 24W, warm white
ORDER # FOR VERSION 54/54W	D14-775-000 – silver, RAL 9006 1 x 24W reading light D14-783-000 – silver, RAL 9006 without reading light
OPTIONAL ACCESSORIES	Low Voltage Controller Micro Switch (*Please consult factory for these installed options )



### LIGHT DISTRIBUTION

### TECHNICAL DRAWING



# D<sup>lite</sup>® Amadea Bed 39/39W

## PATIENT ROOM 3FT. LUMINAIRE

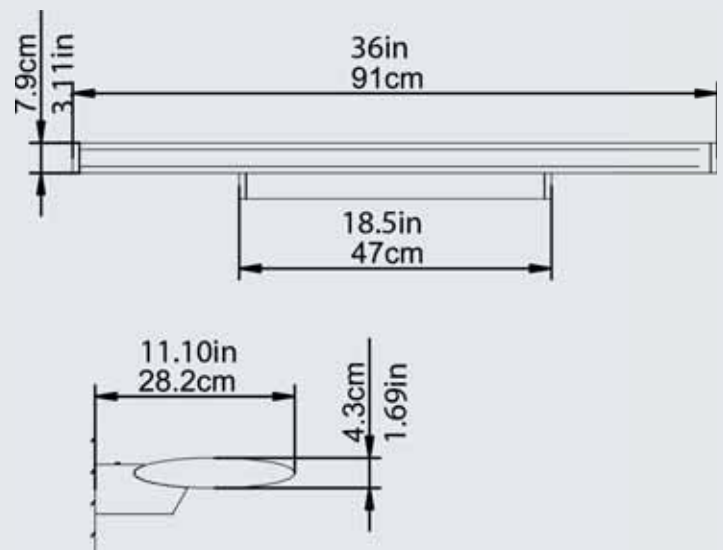
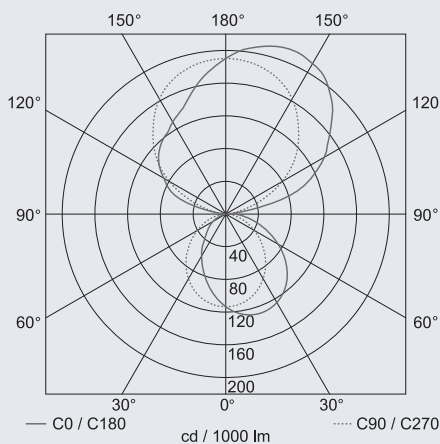
### TECHNICAL DATA

LAMPING	2 x 39W T5HO fluorescent lamps 1 x 24W T5HO fluorescent lamp (optional reading light)
LIGHT DISTRIBUTION	Ambient light: Indirect 39W Examination light: Direct/Indirect 39W Reading light: Direct 24W Night Light: 5-7W
REFLECTOR	DRS Double Reflector System
SUPPLY VOLTAGE	120-277V, 50/60Hz
POWER CONNECTION	To be provided by owner
INSTALLATION	Wall mount
LAMP HOUSING	Aluminum, powder-coated
DIFFUSER	Acrylic
WEIGHT (net)	Approx. 11lbs.
COLOR TEMPERATURE	3000K
POWER CONSUMPTION	Approx. 91W to 125W, dep. on version
USAGE	Remotely switched (wall or pillow switch not included - supplied by owner)
REPLACEMENT LAMP	D68-891-000 - 39W, warm white D68-892-000 - 24W, warm white
ORDER # FOR VERSION 39/39W	D14-787-000 – silver, RAL 9006 1 x 24 W reading light D14-795-000 – silver, RAL 9006 without reading light
OPTIONAL ACCESSORIES	Low Voltage Controller Micro Switch (*Please consult factory for these installed options )



### LIGHT DISTRIBUTION

### TECHNICAL DRAWING



# Dlite® Amadea 2 x 54W CL - PENDANT

## PENDANT MOUNT 4FT. LUMINAIRE

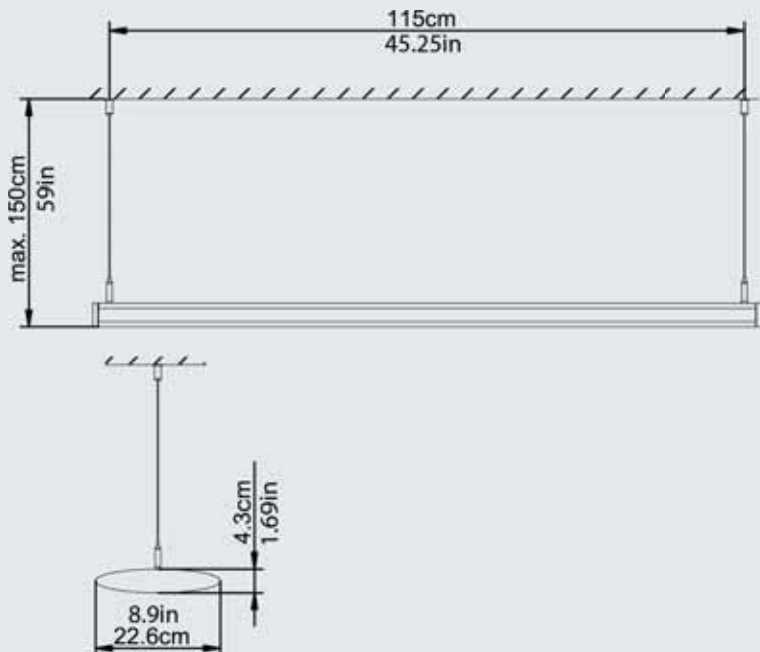
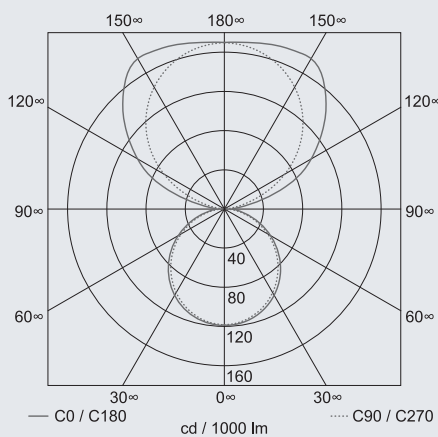
### TECHNICAL DATA

LAMPING	2 x 54WT5HO fluorescent
LIGHT DISTRIBUTION	General lighting direct/indirect
SUPPLY VOLTAGE	120-277V, 50/60Hz
POWER CONNECTION	To be provided by owner
INSTALLATION	Ceiling mount
PENDANT LENGTH	Adjustable up to max. 5ft.
LAMP HOUSING	Aluminum, powder-coated
DIFFUSER	Acrylic
COLOR TEMPERATURE	3000K
WEIGHT (net)	Approx. 11lbs.
POWER CONSUMPTION	Approx. 122W
USAGE	Remotely switched (wall switch not included - supplied by owner)
REPLACEMENT LAMP	D68-890-000 – 54W, warm white
ORDER #	D14-125-000 – silver, RAL 9006



### LIGHT DISTRIBUTION

### TECHNICAL DRAWING







# Dlite® Amadea 2 x 39W CR - CORRIDOR

## CORRIDOR 3FT. LUMINAIRE

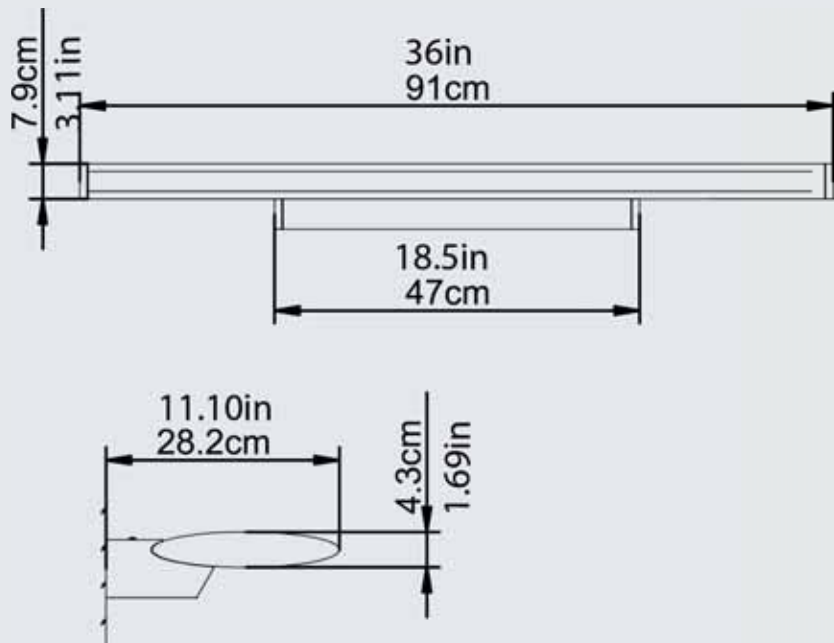
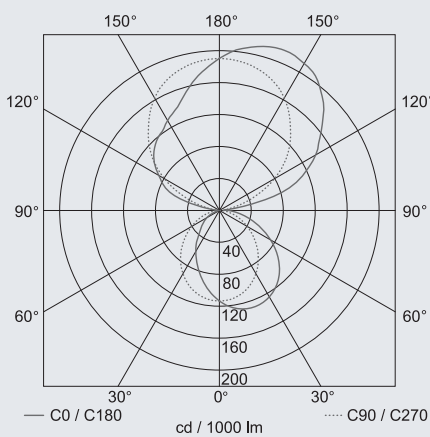
### TECHNICAL DATA

LAMPING	2 x 39W T5HO fluorescent
LIGHT DISTRIBUTION	General lighting direct/indirect
SUPPLY VOLTAGE	120-277V, 50/60Hz
POWER CONNECTION	To be provided by owner
INSTALLATION	Wall mount
LAMP HOUSING	Aluminum, powder-coated
DIFFUSER	Acrylic
COLOR TEMPERATURE	3000K
WEIGHT (net)	Approx. 11lbs.
POWER CONSUMPTION	Approx. 80W
USAGE	Remotely switched (wall switch not included - supplied by owner)
REPLACEMENT LAMP	D68-891-000, 39W, warm white
ORDER #	D13-944-000 - silver, RAL 9006



### LIGHT DISTRIBUTION

### TECHNICAL DRAWING



# D<sup>lite</sup>® Amadea Compact 55W - CORRIDOR/BATH

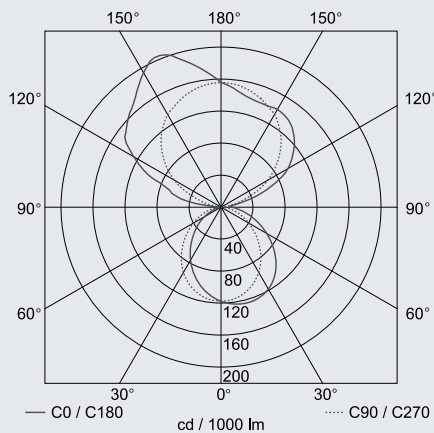
## CORRIDOR / BATH 2FT. LUMINAIRE

### TECHNICAL DATA

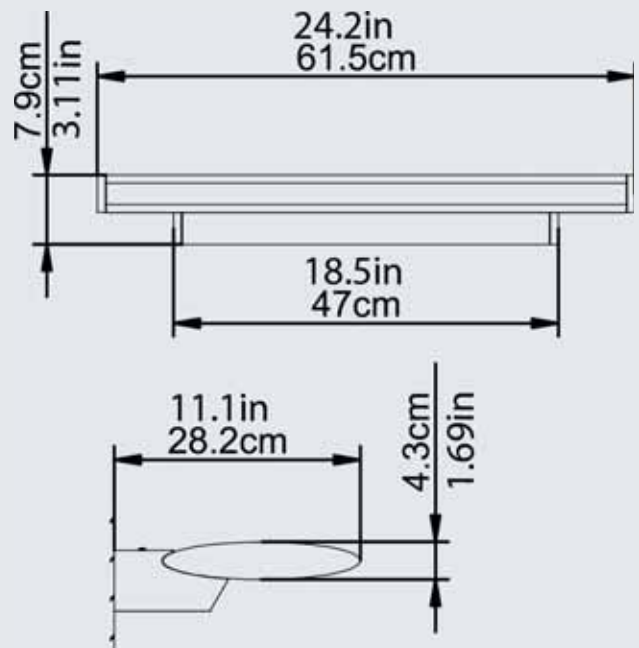
LAMPING	1 x 54W CFL
LIGHT DISTRIBUTION	General lighting direct/indirect
SUPPLY VOLTAGE	120-277V, 50/60Hz
POWER CONNECTION	To be provided by owner
INSTALLATION	Wall mount
LAMP HOUSING	Aluminum, powder-coated
DIFFUSER	Acrylic
COLOR TEMPERATURE	3000K
WEIGHT (net)	Approx. 9lbs.
POWER CONSUMPTION	Approx. 61W
USAGE	Remotely switched (wall switch not included - supplied by owner)
REPLACEMENT LAMP	D68-849-000, warm white - 3000K
ORDER #	D14-799-000 - silver, RAL 9006



### LIGHT DISTRIBUTION



### TECHNICAL DRAWING



**USA**

Waldmann Lighting Company  
9, W. Century Drive  
Wheeling, Illinois 60090, USA  
Phone +1 847 520-1060  
Fax +1 847 520-1730  
Toll Free +1 800 634 0007  
www.waldmannlighting.com  
waldmann@waldmannlighting.com

**FRANCE**

Waldmann Eclairage S.A.S.  
Z.I. Rue de l'Embranchement  
F-67116 REICHSTETT  
Adresse postale :  
BP 23431 Reichstett  
F-67455 MUNDOLSHEIM Cedex  
Phone +33 (0) 388209588  
Fax +33 (0) 388209568  
www.waldmann.com  
info-fr@waldmann.com

**ITALY**

Waldmann Illuminotecnica S.r.l.  
Via della Pace, 18 A  
IT-20098 San Giuliano Milanese (MI)  
Phone +39 02 98 24 90 24  
Fax +39 02 98 24 63 78  
www.waldmann.com  
info-it@waldmann.com

**NETHERLANDS**

Waldmann Lichttechnik BV  
Lingewei 19  
NL-4004 LK Tiel  
Phone +31 (0) 344 - 631019  
Fax +31 (0) 344 - 627856  
www.waldmann.com  
info-nl@waldmann.com

**AUSTRIA**

Waldmann Lichttechnik Ges.m.b.H.  
Gewerbepark Wagram 7  
AT-4061 Pasching/Linz  
Phone +43 (0)722967400  
Fax +43 (0)722967444  
www.waldmann.com  
info-at@waldmann.com

**SWITZERLAND**

Waldmann Lichttechnik GmbH  
Benkenstasse 57  
CH-5024 Küttigen  
Phone +41 (0)62 839 1212  
Fax +41 (0)62 839 1299  
www.waldmann.com  
info-ch@waldmann.com

**UK**

Waldmann Lighting Ltd.  
Holme Well Road  
Middleton  
GB-Leeds LS 10 4TQ  
West Yorkshire  
Phone +44 1132775662  
Fax +44 1132775775  
www.waldmann.com  
enquiries@waldmannlighting.co.uk

**CHINA**

Waldmann Lighting (Shanghai) Co. Ltd.  
Part A, No. Five Normative Workshop  
199 Changjian Road, Baoshan  
CN-Shanghai, P.R.C. 200949  
Phone +86 21 5169-1799  
Fax +86 21 3385-0032  
www.waldmann.com  
s.lo@waldmann.com.cn

**GERMANY**

Herbert Waldmann GmbH & Co. KG  
Postfach 50 62  
D-78057 Villingen-Schwenningen  
Phone +49 7720 601-100  
Fax +49 7720 601-290  
www.waldmann.com  
info@waldmann.com

**SINGAPORE**

Waldmann Lighting Singapore Pte. Ltd.  
Blk 168, Jalan Bukit Merah,  
#04-09B, Connection One, Tower 3,  
Singapore 150168  
Phone +65 62758300  
Fax +65 62758377  
www.waldmann.com  
sales@waldmann.com.sg

**SWEDEN**

Waldmann Ljusteknik AB  
Skebokvarnsvägen 370  
SE-124 50 Bandhagen  
Phone +46 8 990 350  
Fax +46 8 991 609  
www.waldmann.se  
hk@idecenter.se