

ABL LED

COMPACT LED SPOT



PRODUCT DESCRIPTION:

The ABL LED task lights are designed for flexible spot lighting on smaller areas or confined spaces. With a single, high performance, high output LED, the ABL provides pinpoint accuracy and positioning in a wide variety of applications. Available with a gooseneck arm, with or without detachable head or pivoting head only. The ABL LED is ideal for illuminating control panels, keyboards, control room equipment, vision systems, manufacturing equipment, test areas and inspection areas. Line voltage models are available pre-wired with integral operating devices for plug-in 120V operation. Our detachable head version features a 2ft. coil cord

for removal and reattachment of the luminaire head for hand-held operation and inspections. The pivoting head version allows easy integration into existing production and manufacturing systems to provide directional spot lighting exactly where you need it. All ABL luminaires are waterproof (IP67) and suitable for installation in wet or dry locations. Both gooseneck units are also available in thread mount versions for easy installation in a variety of machines, workstations or production and inspection areas. The pivoting head version is perfect for use in automated vision systems, which require precise aiming and contrast to capture images used for inspection. *Thread mount (pictured above left) is available as special order only.

FEATURES:

- Compact size provides pinpoint accuracy
- Single high output LED
- 50,000 hours maintenance-free operation
- Installs via threaded stem or bore and counter nut with standard versions
- Also available with detachable head for hand-held operation
- Optics available in 6° or 25° beam angles
- Precise adjustability with pivoting head version using a precise ball-joint pivot

PRODUCT INFORMATION



PIVOTING HEAD

GOOSENECK

| | |
|--------------------|--|
| Voltage: | 24V -240V depending on Operating Device selected |
| Lamping: | 1 x 3W LED |
| Operation: | No integral switch, connect to external switch |
| Luminaire Body: | Hard anodized aluminum |
| Lens Cover: | Borosilicate glass |
| Protection Rating: | IP67 |
| Beam Angles: | 6° or 25° |
| Luminaire Color: | Black |

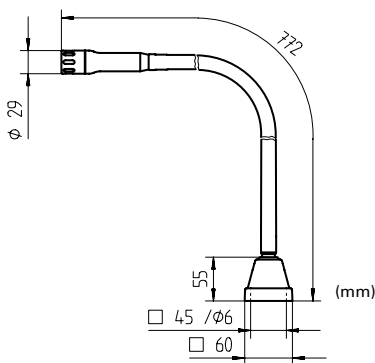
For mounting options see page 41

ORDERING INFORMATION

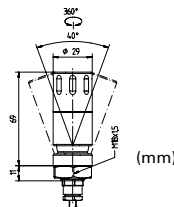
| VERSION | VOLTAGE | BEAM ANGLE | MODEL | PART # |
|--|----------------------|------------|--------|-------------|
| Gooseneck Arm, fixed head, spot, low voltage, includes operating device | 19.2-28.8V | 6° | ABLTL1 | 112 385 M20 |
| Gooseneck Arm, fixed head, flood, low voltage, includes operating device | 19.2-28.8V | 25° | ABLTL1 | 112 385 M21 |
| Gooseneck Arm, fixed head, spot, line voltage, includes operating device | 95-240V (IP40) | 6° | ABLTL1 | 112 385 M10 |
| Gooseneck Arm, fixed head, flood, line voltage, includes operating device | 95-240V (IP40) | 25° | ABLTL1 | 112 385 M11 |
| Gooseneck Arm, detachable head, spot, low voltage, includes operating device | 19.2-28.8V | 6° | ABLTL1 | 112 373 M20 |
| Gooseneck Arm, detachable head, flood, low voltage, includes operating device | 19.2-28.8V | 25° | ABLTL1 | 112 373 M21 |
| Gooseneck Arm, detachable head, spot, line voltage, includes operating device | 95-240V (IP40) | 6° | ABLTL1 | 112 373 M10 |
| Gooseneck Arm, detachable head, flood, line voltage, includes operating device | 95-240V (IP40) | 25° | ABLTL1 | 112 373 M11 |
| Gooseneck Arm, fixed head, spot, operating device sold separately | Per Operating Device | 6° | ABLTL1 | 112 423 000 |
| Gooseneck Arm, fixed head, flood, operating device sold separately | Per Operating Device | 25° | ABLTL1 | 112 423 001 |
| Gooseneck Arm, detachable head, spot, operating device sold separately | Per Operating Device | 6° | ABLTL1 | 138 474 000 |
| Gooseneck Arm, detachable head, flood, operating device sold separately | Per Operating Device | 25° | ABLTL1 | 138 474 010 |
| Pivoting Head, spot, operating device sold separately | Per Operating Device | 6° | ABLTL1 | 112 353 002 |
| Pivoting Head, flood, operating device sold separately | Per Operating Device | 25° | ABLTL1 | 112 353 003 |
| Operating Device | 19.2-28.8V, 700mA | - | Type A | 209 582 019 |
| Operating Device | 95-240V, 700mA | - | VLM | 209 585 019 |



DIMENSIONAL DATA



GOOSENECK ARM



PIVOTING HEAD

BEAM ANGLE EXAMPLES

