

protective tube luminaire



RL40E - 132

connected load
fitted with

work equipment
mains lead

luminaire body
material

weight (net)

fastening

light distribution

system of protection

class of protection

total length

light output

outside diameter

article no.

Notice

120-240V; 50/60Hz

1 x T8 32 W

neutral white 4000 K

electronic ballast

direct power supply

PMMA polymer acrylic clear

approx. 1,3 kg (3.5 lbs)

different mounting options available

direct

IP 67

I

1715 mm (67.5")

1200 mm (47.2")

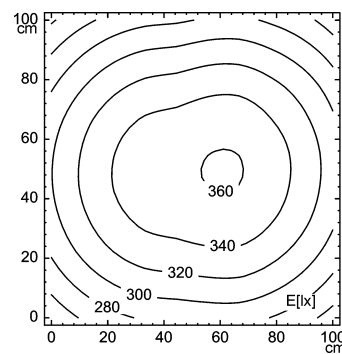
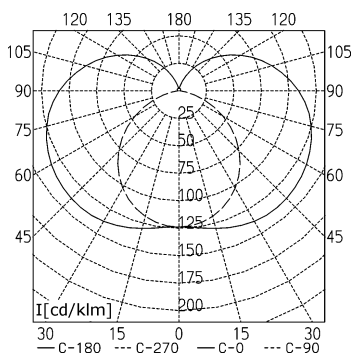
40 mm (1.6")

D with screwed cable gland

112260705

Switching cycle – In order to achieve a maximum life cycle of lamps and electronic ballasts using i.e. motion detectors PIR (Passive Infrared Sensor) or stairways' automats please consider that a minimum burning time of 15 minutes and a neutral phase of > 3 minutes will be fixed.

E_{min}: 238 lx
E_m: 310 lx
E_{max}: 360 lx



measuring conditions: d=100cm

