

protective tube luminaire



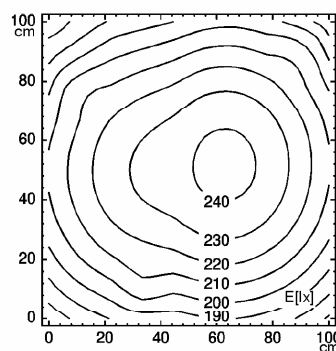
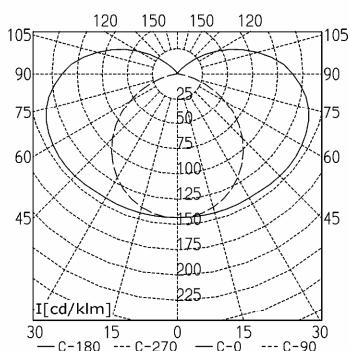
RL70E- 132 H

connected load	120-277V; 50/60Hz
fitted with	1 x fluorescent lamp T8 32 W neutral white 4000 K
work equipment	electronic ballast
mains lead	direct power supply
luminaire body material	PMMA polymer acrylic clear
weight (net)	approx. 2,5 kg (5.5 lbs)
fastening	different mounting options available
system of protection	IP 67
class of protection	I
total length	1364 mm (53.7")
light output	1236 mm (48.7")
outside diameter	70 mm (2.8")
article no.	A with screwed cable gland 112200702

Notice

Switching cycle – In order to achieve a maximum life cycle of lamps and electronic ballasts using i.e. motion detectors PIR (Passive Infrared Sensor) or stairways' automats please consider that a minimum burning time of 15 minutes and a neutral phase of > 3 minutes will be fixed.

E_{min}: 163 lx
E_m: 204 lx
E_{max}: 243 lx



measuring conditions: d=100cm

