



Triango Ceiling Pre-Installation Guide



D^{med}® **triango 30**

TABLE OF CONTENTS

SECTIONS:

SYMBOLS	2
IMPORTANT	3
GENERAL INFORMATION.....	3
SUPER STRUCTURE REQUIREMENT	3
DRILLING TEMPLATE	3
TYPICAL INSTALLATION	4
ELECTRICAL REQUIREMENTS.....	5
EXAMPLES OF MOUNTING SYSTEMS	6
REDUCING THE DROP TUBE LENGTH	6
EQUIPMENT ANCHORAGE DIAGRAMS.....	7

SYMBOLS

The warning symbols indicate all instructions that are important for safety. Failure to comply with them can lead to injury, damage to the luminaire or the equipment. In combination with the following signal words the warning symbols means:

DANGER



Indication of hazards that can lead **to death or serious injury** if measures are disregarded.

WARNING

Indication of hazards that can lead to **injury** if measures are disregarded.



Manufacturer

Publication Revision

- 01.07.2015
Revision Level: B

IMPORTANT

Triango 30 C treatment light should only be installed by very qualified technicians with great mechanical and electrical knowledge. Failure to install the fixture properly can cause serious injury or even death.

GENERAL INFORMATION

The Pre-installation manual is to be used to prepare an adequate and safe installation site for the Triango 30 C treatment light. The manual is to be used by qualified individuals, as an aid, to prepare an installation site. All required specifications in this manual, must be verified by structural and electrical experts.

SUPER STRUCTURE REQUIREMENT

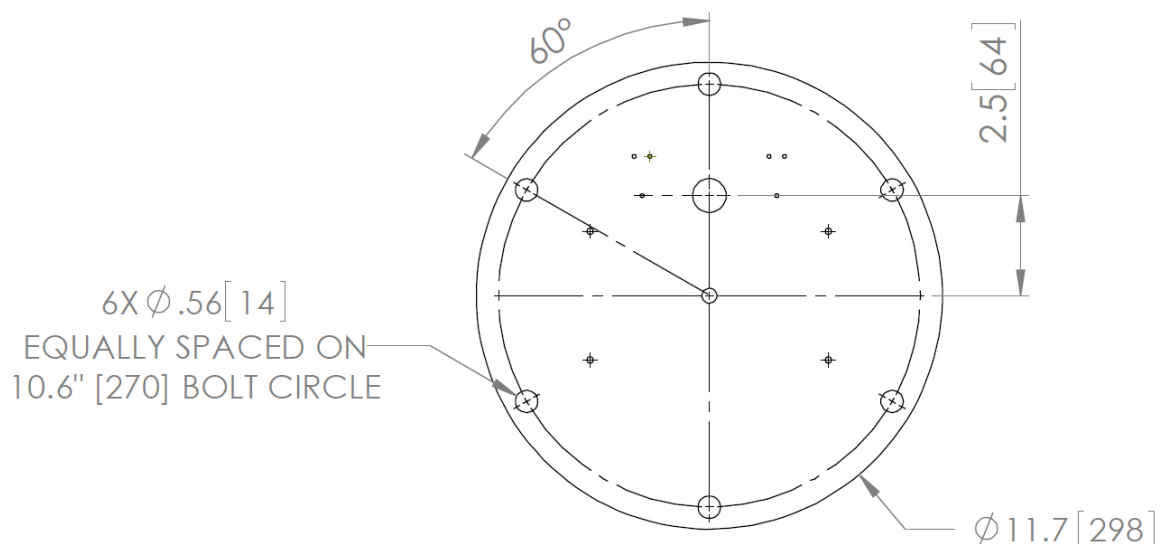
The fixture should only be installed to a very solid super structure capable of withstanding a minimum 1860 in-lbs (210 Nm) and a minimum vertical weight force of 45 lbf (205N). If mounting directly to concrete, concrete strength must be B25 (C20/25) or greater.

Use only factory supplied mounting accessories to attach the exam light to the super structure.

Prior to building a super structure, the drop tube length must be calculated for recommended arm clearance of 78-82". Failure to do so may result in an incorrect installation height. Consult factory for drop tube calculations.

DRILLING TEMPLATE

Drilling Template (not to scale). Used for mounting plate and or mounting adapter plate.



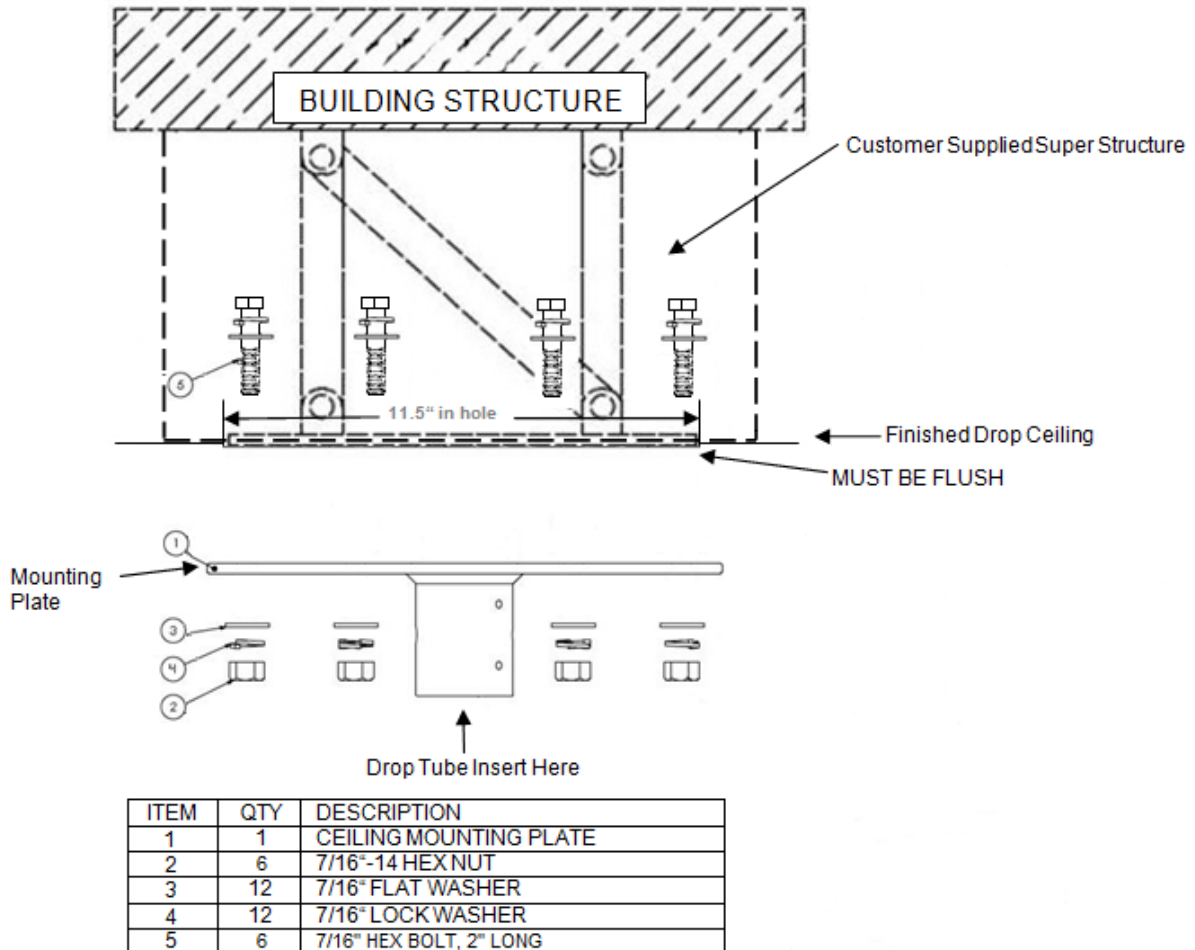
Note:

The super structure must be solid and larger than the shown template. Mounting Adapter can be used if this is not possible.

TYPICAL INSTALLATION

Shown: Installation directly to customer supplied mounting structure.

FOR REFERENCE ONLY. Fixture to be installed according to all local electrical and buiding codes only.



⚠ DANGER

Mounting by qualified personnel

- ▶ Mounting must be done by qualified personnel only. Lack of appropriate knowledge could be life-threatening
- ▶ The ceiling must be made of solid concrete or strong steel super structure to guarantee a secure hold

⚠ WARNING

Light may fall if inaccurately fastened.

- ▶ Tighten all bolts evenly to insure proper installation.

ELECTRICAL REQUIREMENTS

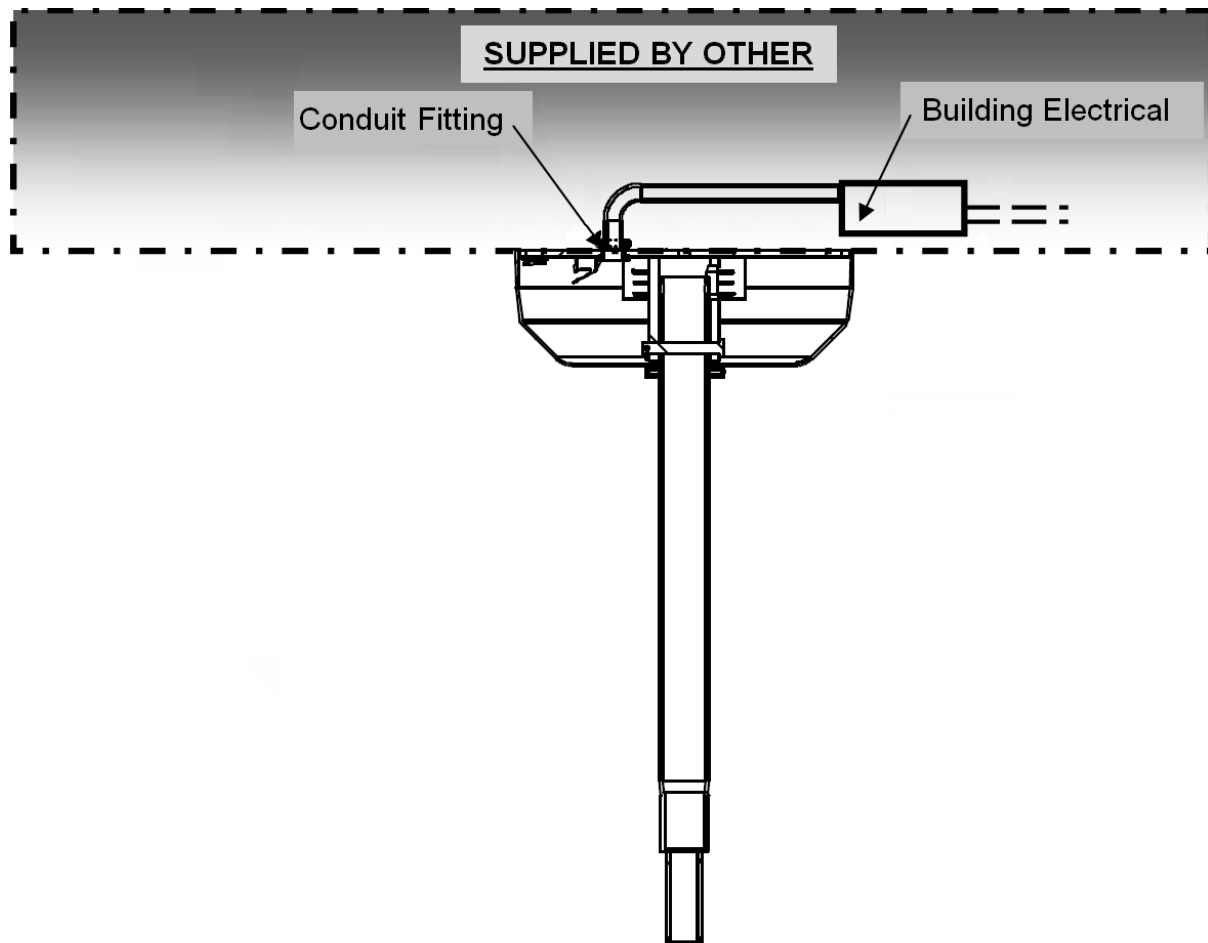
Building wiring must be provided by contractor to meet the installation requirements.

Supply wiring should be a minimum of 14AWG, with a line, neutral and ground. Wire should be rated for 600V. The luminaire must be isolated from the mains by use of a main circuit breaker. Consult a qualified electrical contractor to insure proper electrical feed.

Supply must be 100-240VAC, and capable of handling 3 Amps.

Typical Wiring Installation (shown with optional mounting plate)

FOR REFERENCE ONLY. Fixture to be installed according to all local electrical and building codes only.



DANGER

Electric shocks are life-threatening.

- ▶ Do not insert any power cable that is damaged.
- ▶ If there is any sign of damage to the power cable, replace it immediately with a new one
- ▶ The supply voltage and frequency must match the data on the type plate.
- ▶ Only connect to the mains power supply with a protective conductor
- ▶ The luminaire must be isolated from the mains by use of a main circuit breaker.

EXAMPLES OF MOUNTING SYSTEMS

FOR REFERENCE ONLY. Fixture to be installed according to all local electrical and buiding codes only.

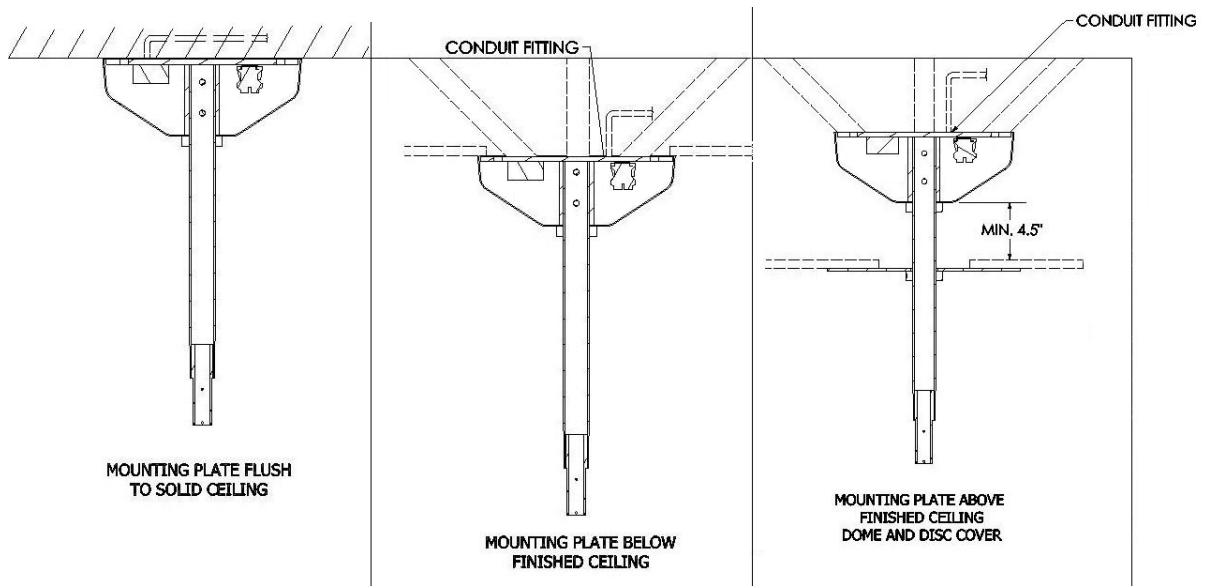


Fig. 1

Fig. 2

Fig. 3

⚠ DANGER

Risk of injury from falling parts.

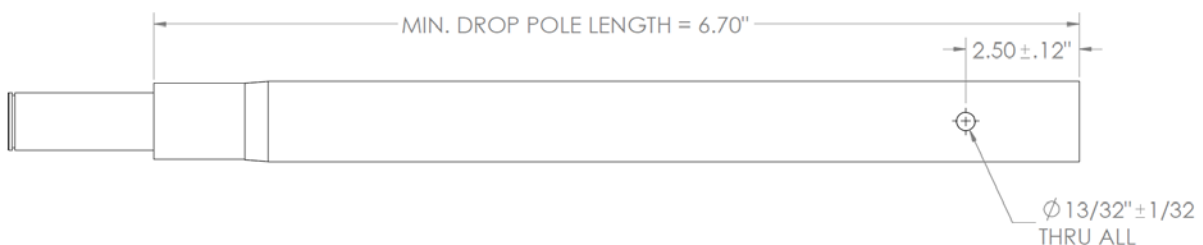
- ▶ The ceiling bearing must be secured to the fastening material, which must be suitable for the corresponding ceiling condition.

All installations must meet local building codes. Please call 800-634-0007 for additional support.

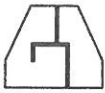
REDUCING THE DROP TUBE LENGTH

If the drop tube is required to be shortened, please follow the below procedure or see Section 5.2.2 in the User Instructions:

1. Please wear and follow proper safety procedures from manufacturers equipment.
2. Remove required length from the top of the down tube only.(Top has 2 holes).
3. Drill new hole pattern on the top of the down tube according the the drawing below



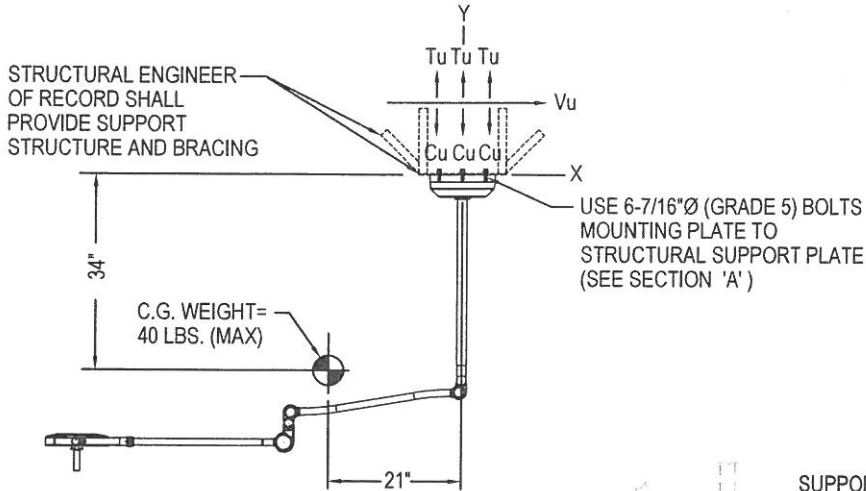
- Drop pole may be shortened as required, assuming listed dimensions are maintained and that pole is not damaged or compromised.
- For the 13/32" thru-hole, it is recommended to use the mounting base (US4-002-150) as a drilling template.



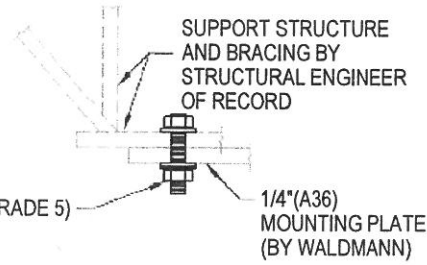
WALDMANN LIGHTING - TRIANGO 30C TREATMENT LIGHT

SEISMIC ANCHORAGE

WALL MOUNT



**TRIANGO CEILING MOUNT
FRONT ELEVATION**



SECTION 'A'

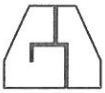
BOLT FORCES

Tu = 403 LB/BOLT (MAX)
Cu = 389 LB/BOLT (MAX)
Vu = 119 LB/BOLT (MAX)

NOTES:

- ANCHORAGE DESIGN PER 2013 CALIFORNIA BUILDING CODE AND ASCE 7-10. STRENGTH DESIGN IS USED.
HORIZONTAL FORCE (E_h) = $3.60 W_p$ ($S_{DS} = 2.00, \phi_p = 2.5, I_p = 1.5, R_p = 2.5 z/h \leq 1.0$)
VERTICAL FORCE (E_v) = $0.40 W_p$
- CENTER OF GRAVITY (C.G.) WEIGHT IS A MAXIMUM, THIS PRE-APPROVAL ENCOMPASSES ALL WEIGHTS UP TO THE MAXIMUM WEIGHT SHOWN.
- STRUCTURAL ENGINEER OF RECORD FOR THE BUILDING SHALL PROVIDE SUPPORT STRUCTURE. DESIGNED TO SUPPORT WEIGHTS AND FORCES SHOWN, IN ADDITION TO ALL OTHER LOADS.
- SEE GENERAL NOTES SHEET 1





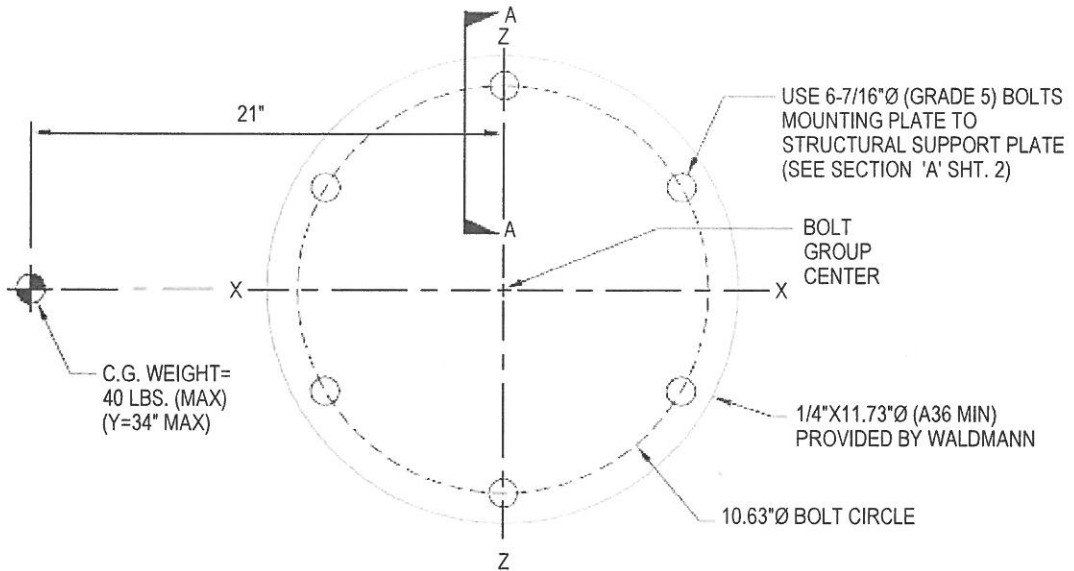
GALICIA & ASSOCIATES, INC.
CONSULTING ENGINEERS
CHICAGO, ILLINOIS

JOB WALDMANN LIGHTING
SHEET NO. 3 OF 9
CALCULATED BY RS DATE 12-14-14

WALDMANN LIGHTING - TRIANGO 30C TREATMENT LIGHT

SEISMIC ANCHORAGE

MOUNTING PLATE TO STRUCTURAL SUPPORT PLATE



PLAN AT MOUNTING PLATE



Notes (Page left Blank for customer)

USA

Waldmann Lighting Company
9, W. Century Drive
Wheeling, Illinois 60090
USA
Telephone +1 847 520 1060
Fax +1 847 520 1730
www.waldmannlighting.com
waldmann@waldmannlighting.com

WORLD HEADQUARTERS**GERMANY**

Herbert Waldmann GmbH & Co. KG
P.O. Box 5062
78057 Villingen-Schwenningen
Germany
Telephone +49 7720 601 100
Fax +49 7720 601 290
www.waldmann.com
info@waldmann.com

SWITZERLAND

Derungs Licht AG
Hofmattstrasse 12
9200 Gossau
Schweiz
Telephone +41 71 388 11 66
Fax +41 71 388 11 77
www.derungslicht.com
mailbox@derungslicht.com

**SWITZERLAND**

Waldmann Lichttechnik GmbH
Benkenstrasse 57
5024 Küttigen
Switzerland
Telephone +41 62 839 12 12
Fax +41 62 839 12 99
www.waldmann.com
info-ch@waldmann.com

FRANCE

Waldmann Eclairage S.A.S
Z.I. - Rue de l'Embranchement
67116 Reichstett
France
Telephone +33 3 8820 9588
Fax +33 3 88 20 95 68
www.waldmann.com
info-fr@waldmann.com

AUSTRIA

Waldmann Lichttechnik Ges.m.b.H
Gewerbepark Wagram 7
4061 Pasching/Linz
Austria
Telephone +43 7229 67 400
Fax +43 7229 67 444
www.waldmann.com
info-at@waldmann.com

ITALY

Waldmann Illuminotecnica s.r.l.
Via della Pace, 18 A
20098 S. Giuliano (MI)
Italy
Telephone +39 02 9824 9024
Fax +39 02 9824 6378
www.waldmann.com
info-it@waldmann.com

NETHERLANDS

Waldmann BV
Lingewei 19/4004 LK Tiel
Postbus 45/4000 AA Tiel
Netherlands
Telephone +31 344 631 019
Fax +31 344 627 856
www.waldmann.com
info-nl@waldmann.com

SWEDEN

Waldmann Ljusteknik
Skebokvarnsvägen 370
124 50 Bandhagen
Sweden
Telephone +46 8 990 350
Fax +46 8 991 609
www.waldmann.se
hk@waldmann.se

SINGAPORE

Waldmann Lighting Singapore Pte. Ltd.
Blk 168, Jalan Bukit Merah Tower 3,
04-09 B
SG-Singapore 150168
Telephone +65 6275 8300
Fax +65 6275 8377
www.waldmann.com
waldmann@singnet.com.sg

CHINA

Waldmann Lighting (Shanghai) Co. Ltd.
Part A, No. Five Normative Workshop
199 Changjian Road, Baoshan
Shanghai, PRC 200949
Telephone +86 2151 691799
Fax +86 2133 850032
www.waldmann.cn
info@waldmann.com.cn